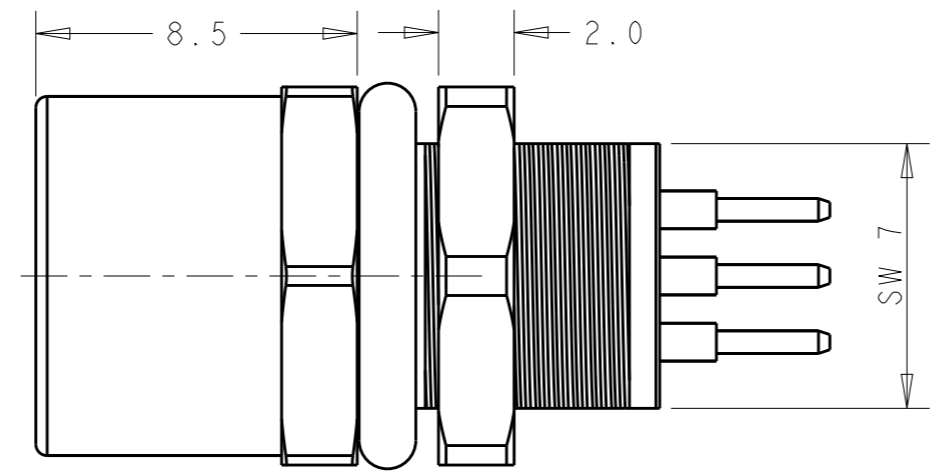
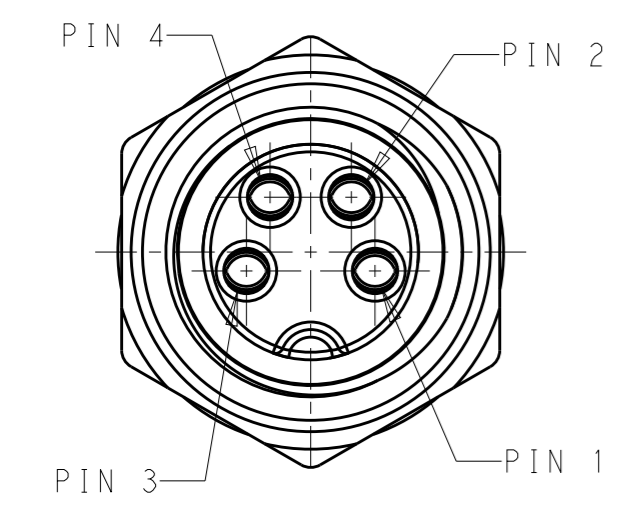
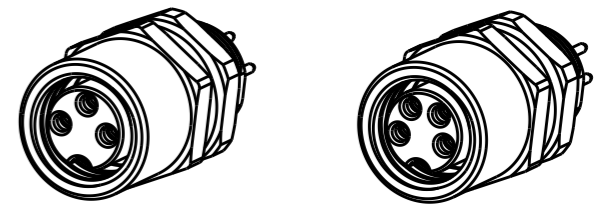
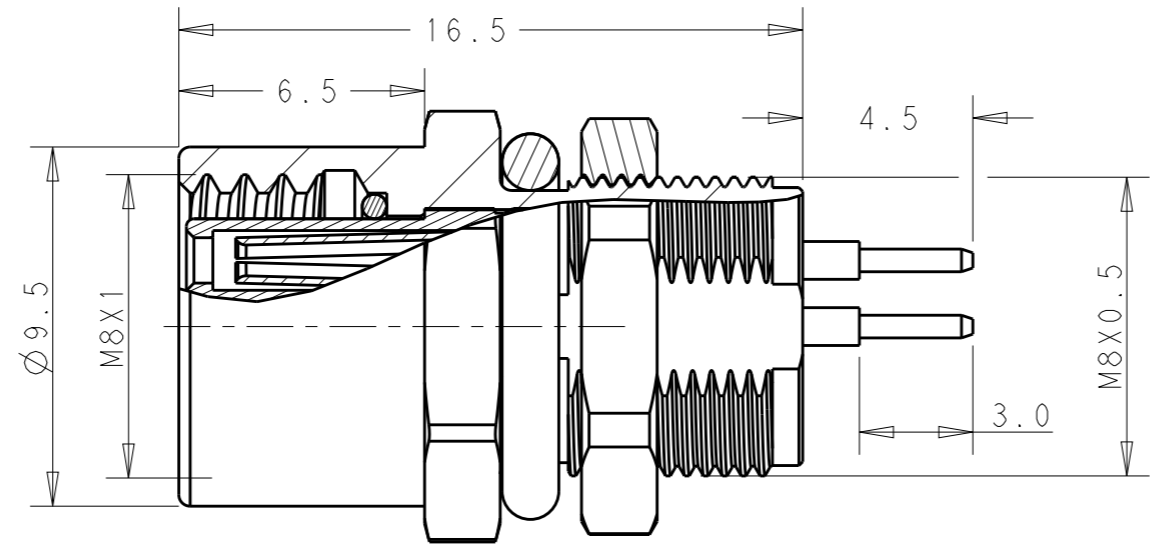
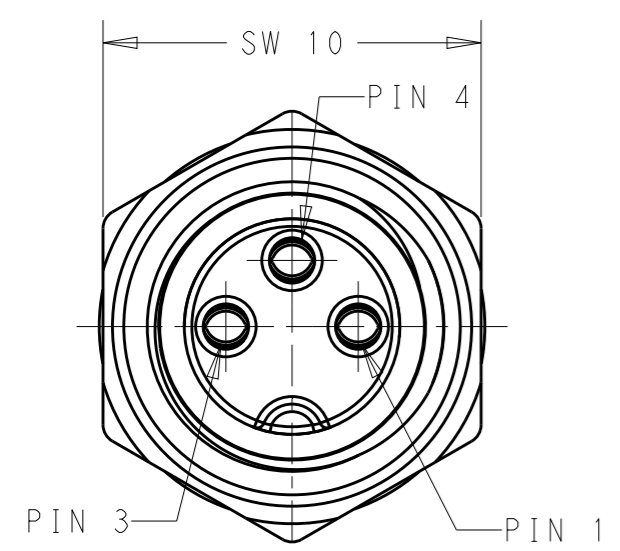


THIS DRAWING IS UNPUBLISHED. RELEASED FOR PUBLICATION 20
 © COPYRIGHT 20 BY - ALL RIGHTS RESERVED.

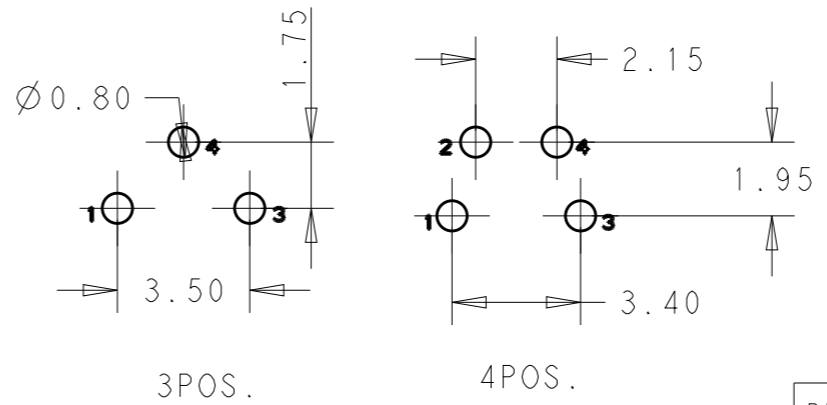
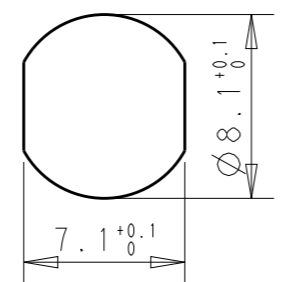
REVISIONS					
P	LTR	DESCRIPTION	DATE	DWN	APVD
	A	INITIAL RELEASE	19DEC2016	N.P	X.X



NOTES:
 1. TECHNICAL DATA: SEE TABLE 1
 2. ALL PRODUCT MUST COMPLIANCE WITH ROHS AND REACH.

注意事项
 1. 技术参数: 见表1
 2. 产品必须符合ROHS与REACH.

Min. 2.5mm
 Max. 3.5mm
 RECOMMENDED
 PANEL THICKNESS



PANEL MOUNTING HOLE

RECOMMENDED PCB LAYOUT
 PCB THICKNESS: 1.6mm

TECHNICAL DATA	T4043014031-000	T4043014041-000
RATED IMPULSE VOLTAGE	1500V	800V
RATED VOLTAGE	60V	30V
RATED CURRENT	3A	
POLLETION DEGREE	3	
OVERVOLTAGE CATEGORY	II	
MATERIAL GROUP	II	
DEGREE OF PROTECTION	IP67	
TEMPERATURE	-40°C~85°C	

MATERIAL	DESCRIPITON	ITEM
COPPER ALLOY	NUT	5
RUBBER	O-RING	4
COPPER ALLOY	BODY NUT	3
PA66	HOUSING	2
COPPER ALLOY	CONTACT	1

TYPE	POS.	PART NUMBER
RPC-M8-FB-4CON-M8-LBU	4	T4043014041-000
RPC-M8-FB-3CON-M8-LBU	3	T4043014031-000



NAME: M8 PANEL CONNECTOR FEMALE SIDE SOLDER PCB, FRONT MOUNTING			
SIZE: A3	CAGE CODE: -	DRAWING NO: T40430140X1000	RESTRICTED TO: -
SCALE: 4:1		SHEET: 1 OF 1	REV: A

THIS DRAWING IS A CONTROLLED DOCUMENT.		DWN: Nick Pan 05AUG2016
DIMENSIONS: mm		CHK: Kobby Zhao 05AUG2016
TOLERANCES UNLESS OTHERWISE SPECIFIED:		APVD: Xiang Xu 05AUG2016
0 PLC ±	1 PLC ±0.25	PRODUCT SPEC: 108-106140
2 PLC ±0.15	3 PLC ±	APPLICATION SPEC: 114-137144-1
4 PLC ±	ANGLES ±	WEIGHT: -
MATERIAL: material_2	FINISH: finish_spec_2	CUSTOMER DRAWING