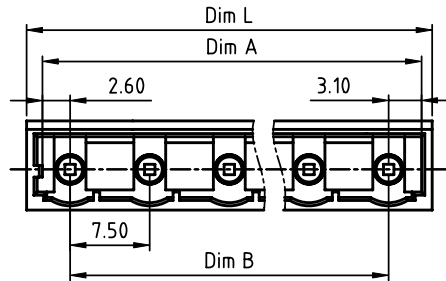
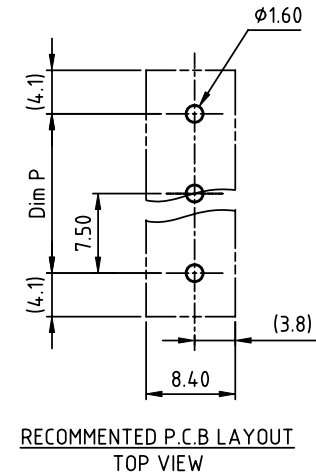
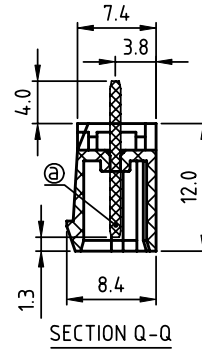
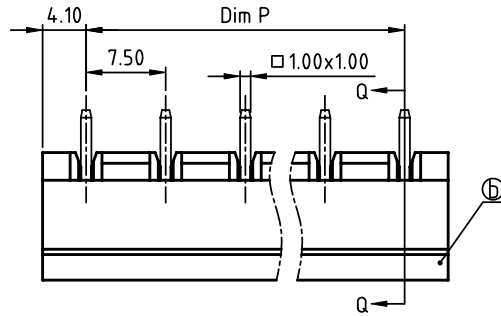


| | |
|----------------|---------|
| PRODUCT NUMBER | PITCH |
| NCxxA1x000J0G | 7.50 mm |



Material:

- Item①Pin: Copper Tin plated
 - Item②Terminal(housing): Thermoplastic (UL94V-0)
- Electrical: cULus
- Voltage rating: 300V
 - Current rating: 8A
 - Withstanding Voltage: 1.6 KV
 - Operating temperature: -40°C to +115°C
 - Soldering temperature: 260°C±5°C/5 Sec
 - Safety Approval: cULus

N = Number of poles
 Dim L=Nx7.5+0.7
 Dim P=(N-1)x7.5
 Dim A=(N-1)x7.5+5.7
 Dim B=(N-1)x7.5

PART NO.: NC xx A 1 x 0 00J0 G

- | | | | |
|--------------|-----|--------------------|--|
| Solid block | 0 | Black (RAL9005) | RoHS compliant (lead<4%) In copper Alloy |
| No. of poles | 2 | Red (RAL3001/D) | |
| 02 | 2 | Orange(RAL2011/P) | |
| 03 | 3 | Yellow(RAL1018/A) | |
| ... | ... | Green(RAL6018/T) | |
| 16 | 16 | Blue (RAL5015/A) | |
| | | 8 Grey(RAL7035/D) | |
| | | 9 White(RAL1102) | |
| | | C Green(RAL6018/U) | |

| poles | Dim L | Dim P | Dim A | Dim B |
|--------|-------|-------|-------|-------|
| 2-6p | ±0.20 | ±0.20 | ±0.20 | ±0.20 |
| 7-12p | ±0.25 | ±0.25 | ±0.25 | ±0.25 |
| 13-16p | ±0.40 | ±0.30 | ±0.30 | ±0.30 |

| | | | | | |
|-------------|----------|-----------------------|-------------------------|---------------------------------------|--|
| mat'l. code | | surface ASME Y14.5 | tolerance ASME Y14.5 | projection | product family TERMINAL BLOCK |
| ltr | ecn no | dr | date | tolerances unless otherwise specified | title TERMINAL BLOCK PLUGGABLE SOCKET,VERTICAL |
| | | | | angles X±0.5 X.X±0.3 X*±1* | |
| | | | | scale | dwg no |
| | | dr | EVIN ZHONG | 042314 | sheet 1 of 1 |
| | | enr | EVIN ZHONG | 042314 | size A4 |
| | | chr | HANKE FENG | 042314 | NCxxA1x000J0G |
| | | appd | SHI JUN | 042314 | type CUSTOMER Drawing |
| sheet index | revision | A | | | |
| | sheet | 1 | | | |