

PCB LAYOUT - COMPONENT VIEW
TOLERANCE: ±0.05mm

TECHNICAL CHARACTERISTICS

MATERIAL
INSULATOR MATERIAL: LCP
FLAMMABILITY RATING UL94-V0
COLOUR: BLACK
CONTACT MATERIAL: COOPER ALLOY
CONTACT TYPE: STAMPED
CONTACT PLATING: SELECTIVE GOLD
SHIELDING: BRASS TIN PLATED
QUALITY CLASS: 5000 MATING CYCLES

ENVIRONMENTAL
OPERATING TEMPERATURE: -40 °C UP TO 85 °C
COMPLIANCE: LEAD FREE AND ROHS

ELECTRICAL
CURRENT RATING: 0.5 A
WORKING VOLTAGE: 40 VAC
INSULATION RESISTANCE: 100 MΩ MIN
DIELECTRIC WITHSTANDING VOLTAGE: 250 VAC/MN
CONTACT RESISTANCE: 10 mOHM MAX

SOLDERING
JEDEC LEAD FREE REFLOW SOLDERING

PACKAGING
TAPE & REEL

RoHS Compliant			
G			
F			
E			
D			
C	03-JAN-16	TPK	AK
B	03-JAN-13	DWG REVIEW	QL
A	19-JUL-13	PDF	QL
REV	DATE	FILE	BY

PROJECTION:
APPROVAL: NPr

GENERAL TOLERANCE
.X = +/- 0.2
.XX = +/- 0.15
UNIT: MM
SCALE:
SHEET: 1/3
DRAW:

DESCRIPTION: HORIZONTAL SMT MICRO HDMI
WERI PART NO: 685 119 248 123

SIZE
A4

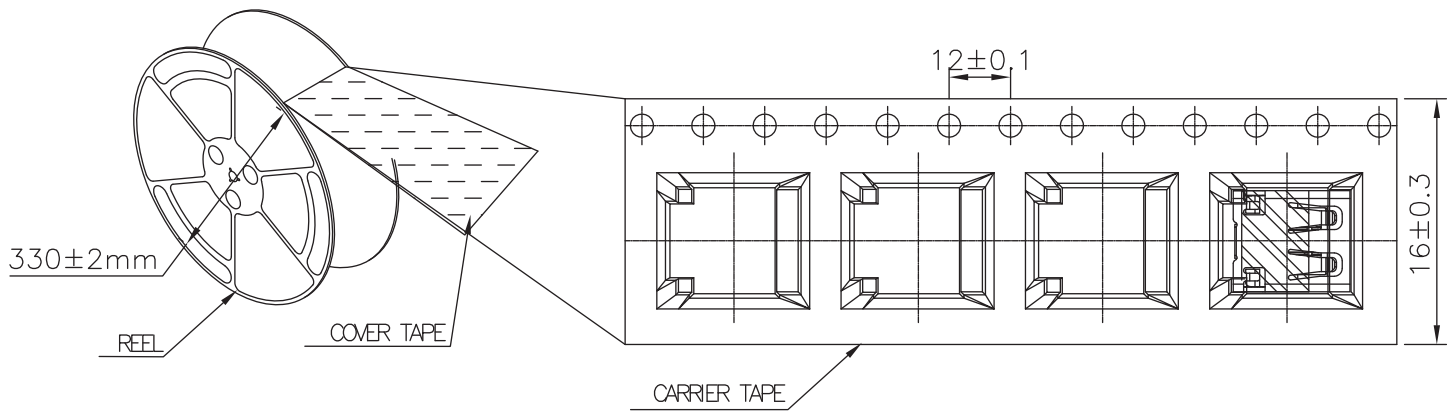
1

2

3

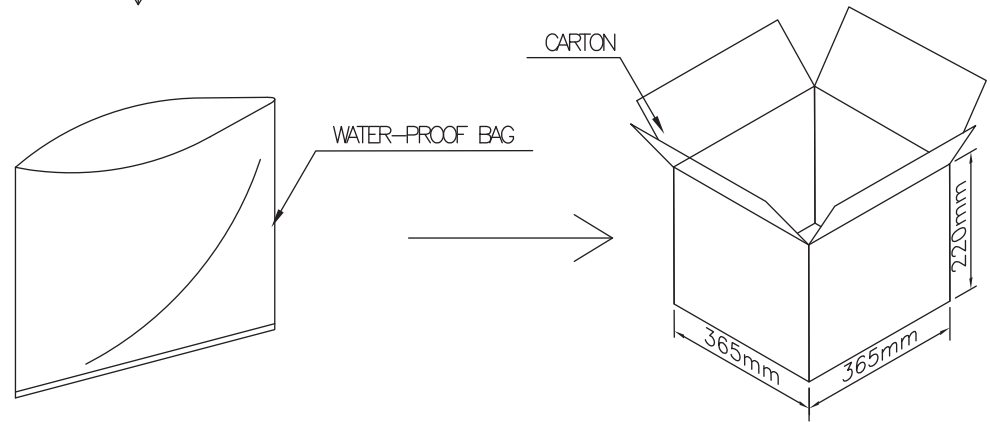
4

5



← 1000 PCS/REEL

↓ 9 REEL / BAG



RoHS Compliant			
G			
F			
E			
D			
C			
B			
A			
REV	DATE	FILE	BY

PROJECTION:

GENERAL TOLERANCE
 .X = +/- 0.2
 .XX = +/- 0.15



APPROVAL: NPr

UNIT: MM
 SCALE:
 SHEET: 2/3
 DRAW:

DESCRIPTION: HORIZONTAL SMT MICRO HDMI
 WERI PART NO: 685 119 248 123

SIZE
A4

A

B

C

D

1

2

3

4

5

Cautions and Warnings:

This electronic component is designed and developed with the intention for use in general electronics equipments.

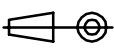

Before incorporating the components into any equipments in the field such as aerospace, aviation, nuclear control, submarine, transportation, (automotive control, train control, ship control), transportation signal, disaster prevention, medical, public information network etc. where higher safety and reliability are especially required or if there is possibility of direct damage or injury to human body, Würth Elektronik must be asked for a written approval.

In addition, even electronic component in general electronic equipments, when used in electrical circuits that require high safety, reliability functions or performance, the sufficient reliability evaluation-check for the safety must be performed before by the user before usage.

A

B

C

RoHS Compliant				PROJECTION: 	GENERAL TOLERANCE .X = +/- 0.2 .XX = +/- 0.15		DESCRIPTION: DISCLAIMER	SIZE A4
G								
F								
E								
D				APPROVAL: JC	UNIT: MM	WERI PART NO: DISCLAIMER	SIZE A4	
C					SCALE:			
B					SHEET: 3/3			
A	10-SEP-14	PDF	QL		DRAW: QL			
REV	DATE	FILE	BY					

D