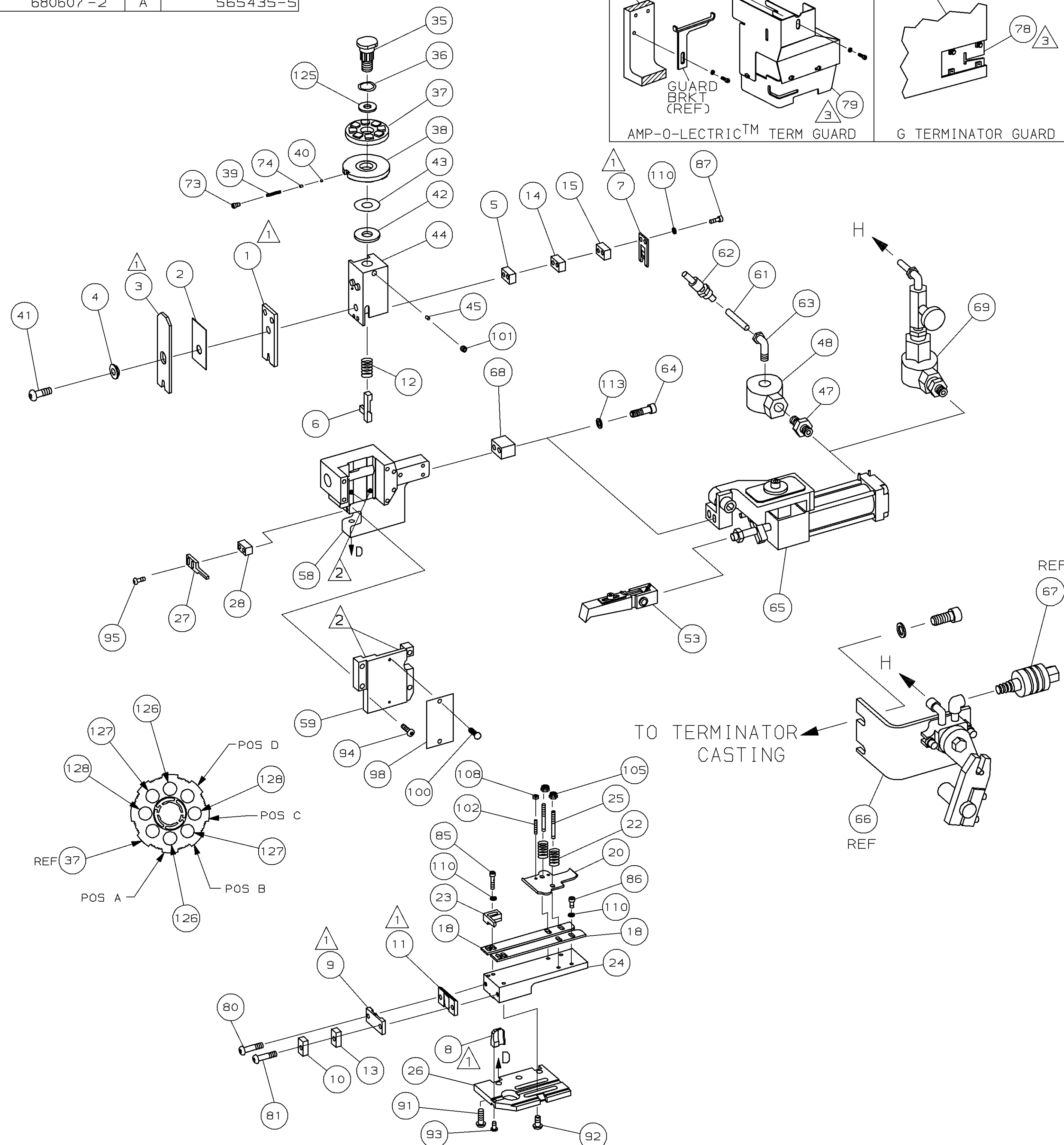
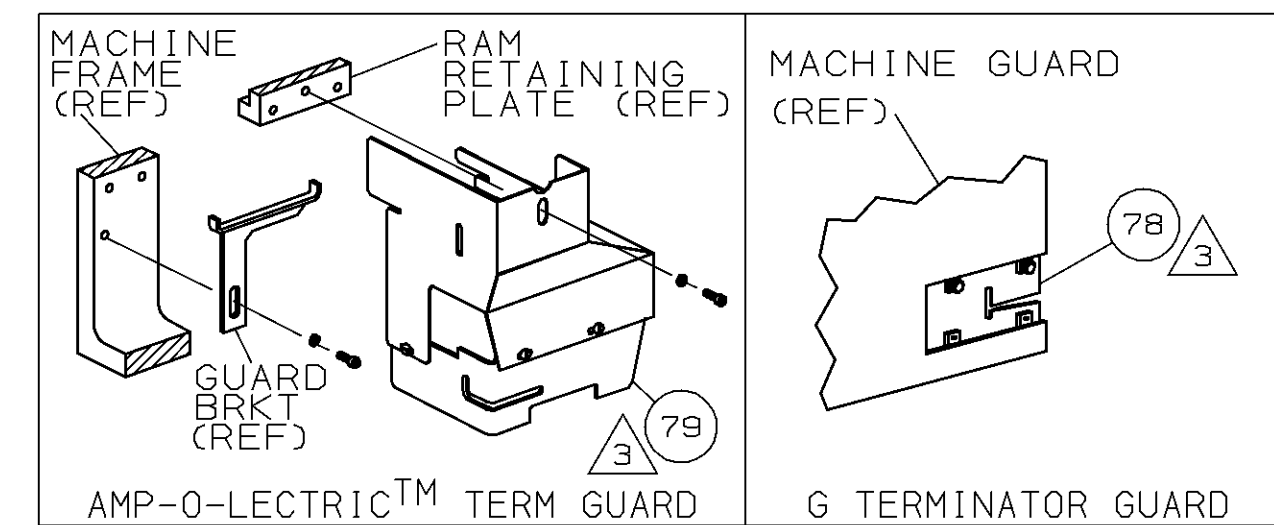


PART NUMBER	REV	FIRST USED
680607-1	A	122500-1
680607-2	A	565435-5



- ① RECOMMENDED SPARE PARTS.
- ② GREASE LIGHTLY.
- ③ GUARD MUST BE IN PLACE WHEN OPERATING APPLICATOR IN A BENCH MACHINE.
- ④ SEE DRAWING FOR COMPONENTS
- ⑤ ITEM 78 USED WITH G TERMINATOR ONLY.

TERMINAL NAME: COMBI-CONTACT						
926935						
CRIMP DATA (AMP TERMINAL)						
PAD LTR	CRIMP HEIGHT		WIRE SIZE			
A	.144 ±.002 [3.65 ±0.05mm]	10mm ²				
B	.134 ±.002 [3.40 ±0.05mm]	8mm ²				
C	.124 ±.002 [3.15 ±0.05mm]	6mm ²				
D	NOT		USED			
CRIMP		SIZE	TYPE	RANGE		
WIRE		.250 [6.35mm]	F	10mm ² -6mm ²		
INSUL		.310 [7.87mm]	F	ø5.1mm-6.6mm		
WIRE STRIP LENGTH	TERM APPL	SPEC	FEED	APPL INSTRUCTION	SET UP GAGE	LAYOUT
.328-.359	NONE		1.527	408-8039	458638-1	L2059

QTY	REV	U/M	DWG SIZE	PART NO	DESCRIPTION	ITEM NO
2	2	-	C	7-354779-8	PIN, WIRE DISC (.3380)C	129
2	2	-	C	5-354779-4	PIN, WIRE DISC (.3260)B	127
2	2	-	C	3-354779-6	PIN, WIRE DISC (.3170)A	126
1	1	-	A	986950-1	WASHER, FLAT PRECISION	125
1	1	-	A	217238-1	GENERAL INSTRUCTION PACKAGE	124
1	1	-	-	4088039	EF APPL INST 408-8039	123
						122
						121
						120
						119
						118
						117
						116
						115
						114
2	2	-	A	21024-5	WASHER, LOCK (#10) AIR ASSY	113
						112
7	7	-	A	21024-4	WASHER, LOCK (NO. 8) SHEAR BL	110
						109
2	2	-	A	21018-4	NUT, HEX (4-40) DRAG	108
						107
						106
2	2	-	A	21022-2	NUT, HEX SL (8-32) DRAG STUD	105
						104
						103
2	2	-	A	2-21006-6	SCR, SKT SET (4-40x.62) DRAG	102
1	1	-	A	21009-2	SCR, SKT SET (1/4-20x.25) RAM	101
2	2	-	A	21017-2	SCR, DRIVE (#2x.19) ID PLATE	100
						99
1	1	-	B	461264-1	PLATE, IDENTIFICATION	98
						97
						96
2	2	-	A	2-21002-2	SCR, BHC (8-32x.50) STRIPPER	95
4	4	-	A	2-21002-9	SCR, BHC (10-32x.75) CAP	94
1	1	-	A	22733-8	SCR, BHC (8-32x.38 LW) ANVIL	93
4	4	-	A	3-21002-3	SCR, BHC (1/4-20x.50) ST 6D PL	92
3	3	-	A	2-22733-8	SCR, BHC (1/4-20x.62) HSG	91
						90
						89
						88
2	2	-	A	3-21000-2	SCR, SHC (8-32x1.25) SLUG BLADE	87
3	3	-	A	2-21000-7	SCR, SHC (8-32x.50) STRIP GUIDE	86
2	2	-	A	2-21000-9	SCR, SHC (8-32x.75) R STRIP GUIDE	85
						84
						83
						82
1	1	-	A	9-21002-0	SCR, BHC (10-32x1.25) SHEAR PL	81
1	1	-	A	3-21002-0	SCR, BHC (10-32x.88) SHEAR PL	80
1	-	-	A	455750-7	GUARD ASSY	79
-	REF	-	A	679532-1	INSERT, GUARD	78
						77
						76
						75
1	1	-	A	690603-1	SPRING, ASSIST	74
1	1	-	A	23030-1	SCR, SKT CAP (6-32x.25) CP DSC	73
						72
						71

QTY REQD PER ASSY	REV	U/M	DWG SIZE	PART NO	DESCRIPTION	ITEM NO
-2	-1					

PARTS LIST						
QTY REQD PER ASSY	REV	U/M	DWG SIZE	PART NO	DESCRIPTION	ITEM NO
-2	-1					

QTY	REV	U/M	DWG SIZE	PART NO	DESCRIPTION	ITEM NO	
-1					LEADMAKER & BENCH MODEL G		
-2					BENCH MODEL K		
					AIR FEED		
					AIR FEED		
④	1	-	-	C	692655-5	AIR FEED VALVE ASSY	70
1	1	-	-	A	461690-3	SPACER, AIR FEED	69
REF	-	-	-	A	24042-2	VALVE, SHUT OFF	67
④	REF	-	-	C	692655-6	AIR FEED VALVE ASSY	66
④	1	1	-	B	1-460277-9	AIR FEED ASSY (2 INCH)	65
2	2	-	-	A	4-21000-2	SCR, SHC (10-32x1.75) AIR ASSY	64
-	1	-	-	A	980285-2	ELBOW, SWIVEL 1/8 NPT - 1/4 T	63
-	1	-	-	A	23238-1	QUICK DISCONNECT	62
-	12.00	IN	A	A	27319-4	TUBING, POLY-FLO ø.25	61
							60
1	1	-	-	C	454220-1	CAP, RAM	59
1	1	-	-	D	453736-1	HOUSING	58
							57
							56
							55
							54
④	1	1	-	B	460680-1	FEED FINGER ASSY	53
							52
							51
							50
							49
-	1	-	-	A	22374-7	VALVE, QUICK EXHAUST	48
-	1	-	-	A	22304-1	NIPPLE, HEX 1/8 NPT	47
							46
1	1	-	-	A	690191-1	PLUG, NYLON	45
1	1	-	-	C	455674-1	RAM	44
1	1	-	-	A	690125-1	WASHER, LAMINATED	43
1	1	-	-	A	690124-5	WASHER, RAM	42
1	1	-	-	A	690686-2	BOLT, CRIMPER (5/16-24x1.00)	41
1	1	-	-	A	23241-6	BALL, STEEL	40
1	1	-	-	A	690170-1	SPRING, COMPRESSION	39
1	1	-	-	C	690142-1	DISC, INSULATION	38
1	1	-	-	D	354777-1	WIRE DISC, PLASTIC	37
1	1	-	-	A	22480-5	WASHER, SPRING	36
1	1	-	-	B	690212-1	POST, RAM	35
							34
							33
							32
							31
							30
							29
1	1	-	-	B	1-690451-3	SPACER, STRIPPER	28
1	1	-	-	A	1214647-1	STRIPPER	27
1	1	-	-	D	455676-2	PLATE, BASE	26
2	2	-	-	A	22354-8	DRAG, STUD	25
1	1	-	-	B	458803-2	PLATE, STRIP GUIDE	24
1	1	-	-	C	240825-5	PLATE, STRIP HOLD DOWN	23
2	2	-	-	A	4-22281-1	SPRING, DRAG	22
							21
1	1	-	-	A	454177-1	DRAG, STOCK	20
							19
2	2	-	-	C	1-454204-8	GUIDE, STRIP (FRONT)	18
							17
							16
1	1	-	-	C	1-240641-2	SPACER, SLUG BLADE	15
1	1	-	-	C	4-240641-6	SPACER, SLUG BLADE	14
1	1	-	-	C	1-690481-0	SPACER, HOLD DOWN	13
1	1	-	-	A	23846-1	SPRING, HOLD DOWN	12
①	1	1	-	B	240833-2	PLATE, REAR SHEAR	11
1	1	-	-	C	690481-2	SPACER, HOLD DOWN	10
①	1	1	-	B	690482-3	PLATE, FRONT SHEAR	9
①	1	1	-	D	1-356038-8	ANVIL	8
①	1	1	-	B	2-690474-8	BLADE, SLUG	7
1	1	-	-	D	2-455892-5	HOLD DOWN, TERMINAL	6
1	1	-	-	C	5-240641-3	SPACER, SLUG BLADE	5
1	1	-	-	B	238009-1	SPACER, BLOCK CRIMPER	4
1	1	-	-	C	1213077-8	CRIMPER, INSULATION	3
①	1	1	-	B	1-455888-8	SPACER, CRIMPER	2
①	1	1	-	C	6-458141-4	CRIMPER, WIRE	1

QTY REQD PER ASSY	REV	U/M	DWG SIZE	PART NO	DESCRIPTION	ITEM NO
-2	-1					

PARTS LIST						
QTY REQD PER ASSY	REV	U/M	DWG SIZE	PART NO	DESCRIPTION	ITEM NO
-2	-1					

REVISION OF EACH ASSY NO (WHEN BLANK, USE DWG REVISION)

THIS DRAWING IS A CONTROLLED DOCUMENT.

JULY 16 1998

RELEASED FOR PUBLICATION
BY AMP INCORPORATED. ALL RIGHTS RESERVED.

LOC A
DIST 66