

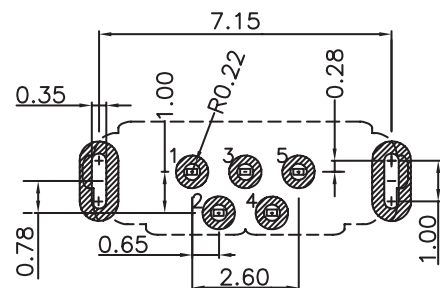
1

2

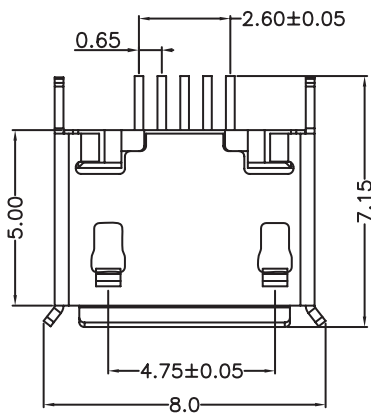
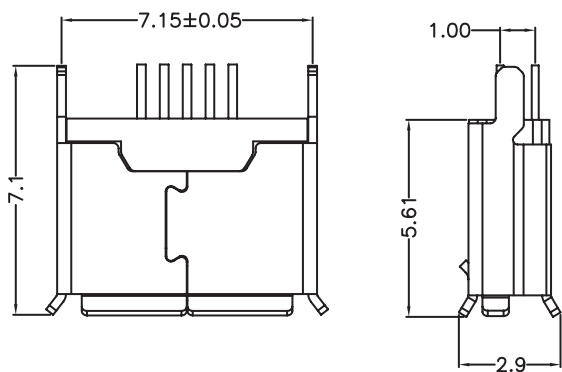
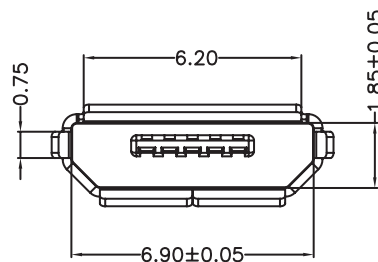
3

4

5



RECOMMENDED PCB LAYOUT  
RECOMMENDED PCB THICKNESS : 1.0 mm



#### TECHNICAL CHARACTERISTICS

**MATERIAL**  
INSULATOR: LCP  
FLAMMABILITY RATING: UL94-V0  
COLOR: BLACK  
CONTACT MATERIAL: COPPER ALLOY  
CONTACT TYPE: STAMPED  
CONTACT PLATING: GOLD  
SHIELDING: STAINLESS STEEL MATT TIN PLATED  
QUALITY CLASS: 10000 MATING CYLCES

**ENVIRONMENTAL**  
OPERATING TEMPERATURE: -40°C UP TO +85°C  
COMPLIANCE: LEAD FREE AND ROHS

**ELECTRICAL**  
CURRENT RATING: 1.8 A PIN1 & PIN 5  
1.0 A OTHER PINS  
WORKING VOLTAGE: 30 VAC  
INSULATION RESISTANCE: >1000 MΩ  
WITHSTANDING VOLTAGE: 100 VAC/MIN  
CONTACT RESISTANCE: 30 mΩ MAX

**STANDARD**  
 CERTIFIED: E323964

**SOLDERING**  
JEDEC LEAD FREE WAVE SOLDERING

**PACKAGING**  
TAPE & REEL

NOTE: TAPE & REEL NOT FOR PICK & PLACE MACHINE

RoHS Compliant

|     |           |                  |    |
|-----|-----------|------------------|----|
| G   |           |                  |    |
| F   |           |                  |    |
| E   |           |                  |    |
| D   | 24-NOV-15 | UL CERTIFICATION | AK |
| C   | 09-AVR-15 | PCB THICKNESS    | QP |
| B   | 27-OCT-14 | REVIEW           | QL |
| A   | 29-JUL-14 | PDF              | AS |
| REV | DATE      | FILE             | BY |

PROJECTION:



APPROVAL: NPr

GENERAL TOLERANCE

.X =  $\pm 0.3$

.XX =  $\pm 0.20$

UNIT: MM

SCALE:

SHEET: 1/3

DRAW: AS



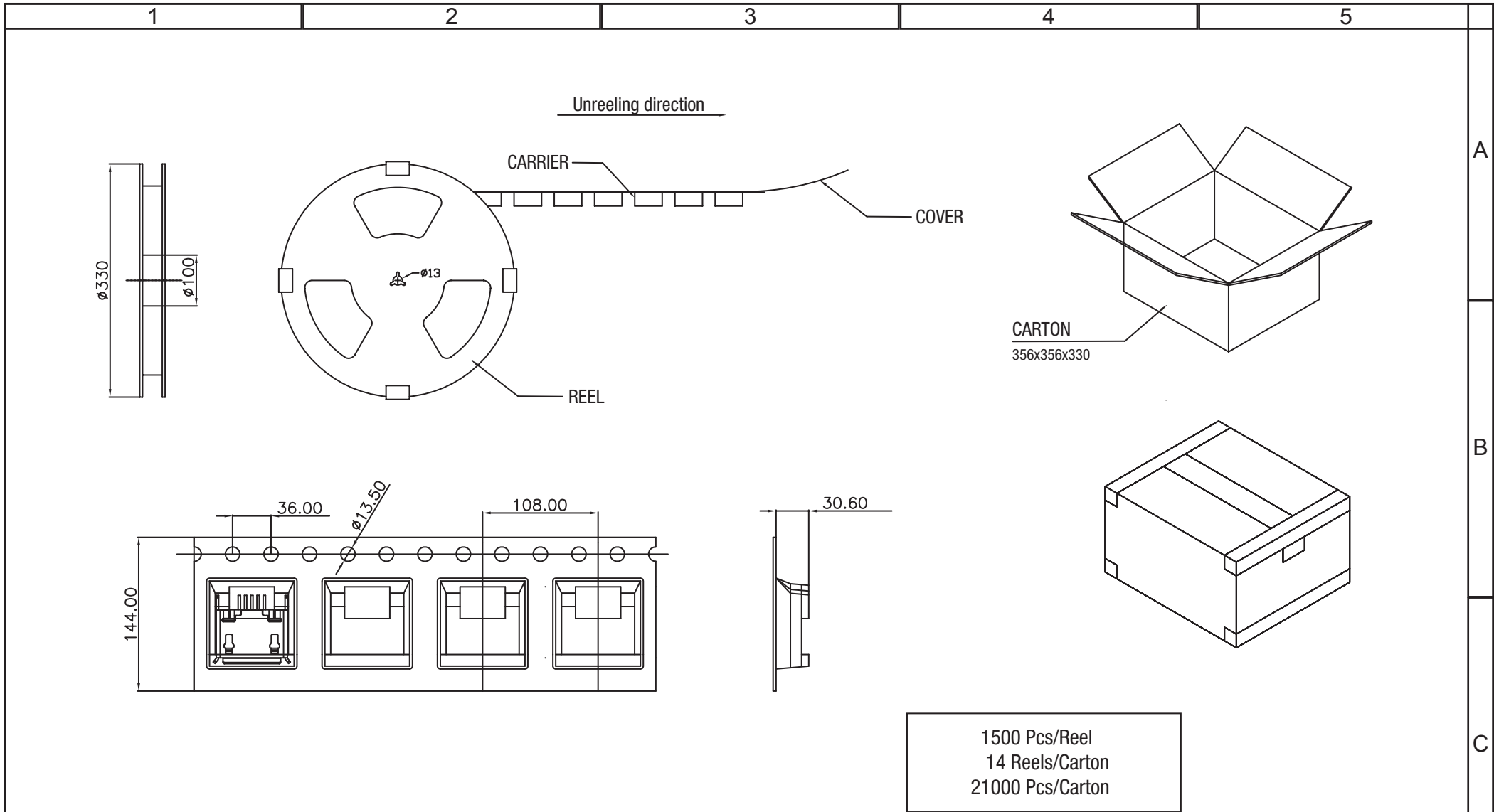
WÜRTH ELEKTRONIK

DESCRIPTION: MICRO USB 2.0 TYPE B - VERTICAL - THT

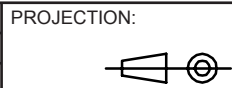
WERI PART NO: 614 105 150 721

SIZE

**A4**



|                |           |      |    |
|----------------|-----------|------|----|
| RoHS Compliant |           |      |    |
| G              |           |      |    |
| F              |           |      |    |
| E              |           |      |    |
| D              |           |      |    |
| C              |           |      |    |
| B              |           |      |    |
| A              | 23-JUL-14 | PDF  | AS |
| REV            | DATE      | FILE | BY |



APPROVAL: NPr

GENERAL TOLERANCE  
.X = +/- 0.2  
.XX = +/- 0.15

UNIT: MM  
SCALE:  
SHEET: 2/3  
DRAW: AS



DESCRIPTION: MICRO USB 2.0 TYPE B - VERTICAL - THT

WERI PART NO: 614 105 150 721

SIZE  
**A4**

1

2

3

4

5

## Cautions and Warnings:

This electronic component is designed and developed with the intention for use in general electronics equipments.

Before incorporating the components into any equipments in the field such as aerospace, aviation, nuclear control, submarine, transportation, (automotive control, train control, ship control), transportation signal, disaster prevention, medical, public information network etc. where higher safety and reliability are especially required or if there is possibility of direct damage or injury to human body, Würth Elektronik must be asked for a written approval.

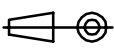

In addition, even electronic component in general electronic equipments, when used in electrical circuits that require high safety, reliability functions or performance, the sufficient reliability evaluation-check for the safety must be performed before by the user before usage.

A

B

C

RoHS Compliant

|     |           |      |    |  |   |  |                   |
|-----|-----------|------|----|--|---|--|-------------------|
| G   |           |      |    | PROJECTION:<br> | GENERAL TOLERANCE<br>.X = +/- 0.2<br>.XX = +/- 0.15 | <br><b>WÜRTH ELEKTRONIK</b> |                   |
| F   |           |      |    |  |   |  |                   |
| E   |           |      |    |  |   |  |                   |
| D   |           |      |    |  |   |  |                   |
| C   |           |      |    | APPROVAL: JC   | UNIT: MM  | DESCRIPTION: DISCLAIMER  | SIZE<br><b>A4</b> |
| B   |           |      |    |  | SCALE:  |  |                   |
| A   | 10-SEP-14 | PDF  | QL |  | SHEET: 3/3  | WERI PART NO: DISCLAIMER   |                   |
| REV | DATE      | FILE | BY |  | DRAW: QL  |  |                   |

D