

# World's First Dual Interface Optical Image Stabilization (OIS) and 6-axis Motion Tracking Solution

## GENERAL DESCRIPTION

The single-chip ICM-30670 is the world's first dual interface Optical Image Stabilization (OIS) and 6-axis motion tracking solution for User Interface, UI, with an integrated sensor-hub and framework software. It combines industry leading gyroscope and accelerometer sensors with an ARM Cortex-M0 CPU, and a DMP4 Digital Motion Processor™ in a small 4x4x0.98 mm LGA package.

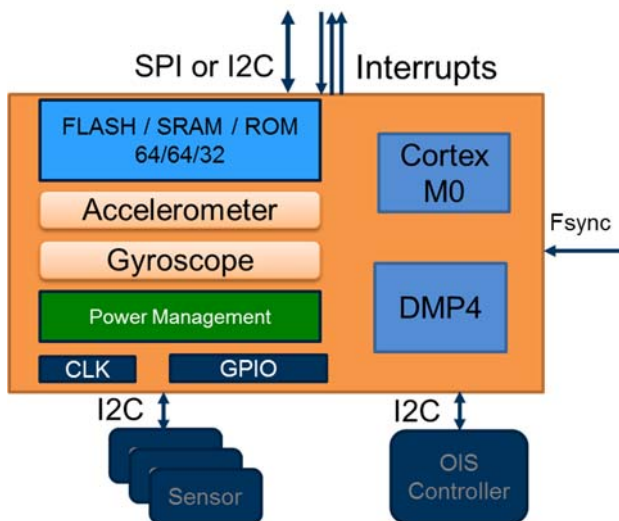
The ICM-30670 provides a dedicated I<sup>2</sup>C Master interface for connecting to OIS controllers. Additionally, the DMP4 runs a gyro filter algorithm that allows for best in class OIS performance.

The ICM-30670 serves as a sensor hub that supports the collection and processing of data from internal and external sensors. The processors are designed to offload processing from the Application Processor, thereby saving system power and improving performance.

The ARM Cortex-M0 CPU provides a low-power programmable platform for software development. The DMP4 is optimized for fixed point processing and FFT generation and complements the CPU by offloading math intensive operations as well as running the Gyro Filter portion of the OIS control algorithm.

The integrated InvenSense Sensor Framework provides an open and powerful platform for creating cutting-edge always-on applications for mobile platforms. Developers can use the built-in framework components to rapidly develop and launch new features. The command protocol is designed for seamless porting to new systems, allowing software reuse and thus maximizing returns on software investment.

## BLOCK DIAGRAM



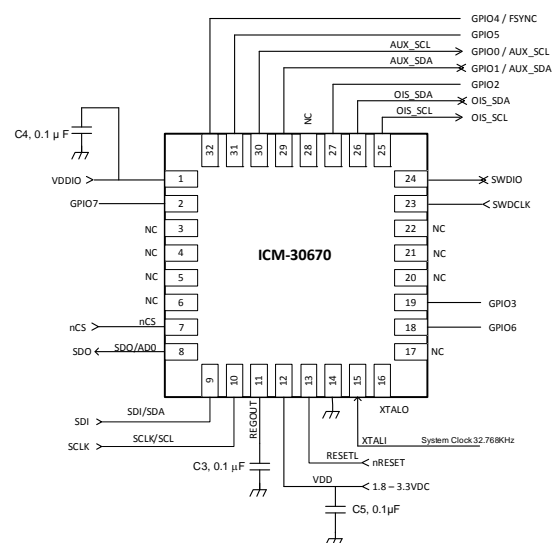
## APPLICATIONS

- Smartphones and Tablets

## FEATURES

- Sensor hub with integrated 6-Axis in a 32-Pin LGA: 4x4x0.98 mm package
- Shaker-less OIS Calibration support
- Simultaneous OIS + UI interface support
- Built-in sensor hub framework enables fast time-to-market
- Android Lollipop and beyond Support
- Smart FSR Switching between OIS and UI modes
- On-Chip Runtime Calibration
- I<sup>2</sup>C interface for OIS controllers
- Auxiliary I<sup>2</sup>C interface to support additional sensors, enabling multi-sensor MotionFusion operation
- 3-Axis Gyroscope with Programmable FSR of ±250, ±500, ±1000, and ±2000dps
- 3-Axis Accelerometer with Programmable FSR of ±2g, ±4g, ±8g and ±16g
- ARM Cortex-M0 CPU and DMP4
- Flash 64 Kbytes
- SRAM 64 Kbytes (shared by Cortex-M0, DMPs, FIFO)
- 4 timers that can be used for timestamp, watchdog, and general purpose timer functions
- Serial Wire Data Port for Cortex-M0 debug/trace
- 3 on-chip oscillators for system clock, accurate time stamping, and periodic wakeup
- 8 GPIO bidirectional pins configurable as general purpose input/output, or interrupt input/output
- I<sup>2</sup>C up to 1 MHz; SPI up to 8 MHz

## TYPICAL OPERATING CIRCUIT



## ORDERING INFORMATION

PART	TEMP RANGE	PACKAGE
ICM-30670†	-40°C to +85°C	32-Pin LGA

†Denotes RoHS and Green-Compliant Package

**TABLE OF CONTENTS**

	General Description .....	1
	Block Diagram .....	1
	Applications .....	1
	Features .....	1
	Typical operating circuit .....	1
	Ordering Information.....	1
1	Introduction .....	6
	1.1 Purpose and Scope.....	6
	1.2 Product Overview.....	6
	1.3 Applications.....	6
2	Features .....	7
	2.1 Gyroscope Features .....	7
	2.2 Accelerometer Features.....	7
	2.3 ARM Cortex-M0 Features.....	7
	2.4 DMP4 Features.....	7
	2.5 On-Chip Memory.....	7
	2.6 Clock Generation Unit.....	8
	2.7 Serial Interfaces.....	8
	2.8 Digital Peripherals .....	8
	2.9 Power Management .....	8
3	Electrical Characteristics .....	9
	3.1 Gyroscope Specifications .....	9
	3.2 Accelerometer Specifications.....	10
	3.3 Electrical Specifications.....	11
	3.3.1 D.C. Electrical Characteristics.....	11
	3.3.2 A.C. Electrical Characteristics .....	12
	3.4 I2C Timing Characterization .....	14
	3.5 SPI Timing Characterization .....	15
	3.6 Absolute Maximum Ratings .....	16
4	Applications Information .....	17
	4.1 Pin Out Diagram and Signal Description .....	17
	4.2 Typical Operating Circuit.....	19
	4.3 Bill of Materials for External Components .....	19
	4.4 ICM-30670 Block Diagram.....	20
	4.5 Overview .....	21
	4.6 Three-Axis MEMS Gyroscope with 16-bit ADCs and Signal Conditioning .....	21
	4.7 Three-Axis MEMS Accelerometer with 16-bit ADCs and Signal Conditioning.....	21
	4.8 ARM Cortex-M0 CPU .....	21
	4.9 Digital Motion Processor.....	22
	4.10 FLASH .....	22
	4.11 SRAM .....	22
	4.12 FIFO .....	22
	4.13 GPIO .....	22
	4.14 DMA Controller .....	22
	4.15 Primary SLAVE I <sup>2</sup> C OR SLAVE SPI Serial Communications Interfaces .....	23
	4.15.1 ICM-30670 Solution Using I <sup>2</sup> C Interface .....	23
	4.15.2 ICM-30670 Solution Using SPI Interface .....	24
	4.16 Auxiliary I <sup>2</sup> C Serial Interface .....	24
	4.17 OIS I <sup>2</sup> C Serial Interface .....	25
	4.18 Timers .....	25
	4.19 Serial Wire Data Port.....	25
	4.20 Interrupts .....	25
	4.21 On-Chip Oscillators.....	26

---

4.22	Standard Power Modes.....	26
5	Digital Interface .....	27
5.1	I <sup>2</sup> C and SPI Serial Interfaces .....	27
5.2	I <sup>2</sup> C Interface.....	27
5.3	I <sup>2</sup> C Communications Protocol .....	28
5.4	I <sup>2</sup> C Terms .....	29
5.5	SPI Interface .....	30
6	System diagram .....	31
7	Use Notes.....	32
7.1	SMART FSR.....	32
7.2	I <sup>2</sup> C PROGRAM LENGTH.....	32
8	Orientation of Axes.....	33
9	Package Dimensions .....	34
12	Part Number Part Markings .....	36
14	References .....	37
15	Revision History .....	38
	Compliance Declaration Disclaimer .....	39

**LIST OF FIGURES**

Figure 1. I<sup>2</sup>C Bus Timing Diagram ..... 14

Figure 2. SPI Bus Timing Diagram ..... 15

Figure 3. Pin out Diagram for ICM-30670 4x4x0.98 mm LGA ..... 18

Figure 4. ICM-30670 Application Schematic (a) I<sup>2</sup>C operation (b) SPI operation ..... 19

Figure 5. ICM-30670 Block Diagram ..... 20

Figure 6 ICM-30670 Solution Using I<sup>2</sup>C Interface ..... 23

Figure 7. ICM-30670 Solution Using SPI Interface ..... 24

Figure 8. START and STOP Conditions ..... 28

Figure 9. Acknowledge on the I<sup>2</sup>C Bus ..... 28

Figure 10. Complete I<sup>2</sup>C Data Transfer ..... 29

Figure 11. Typical SPI Master / Slave Configuration ..... 30

Figure 12. ICM-30670 System Diagram ..... 31

Figure 13. Orientation of Axes of Sensitivity and Polarity of Rotation ..... 33

**LIST OF TABLES**

Table 1. Gyroscope Specifications ..... 9  
Table 2. Accelerometer Specifications ..... 10  
Table 3. D.C. Electrical Characteristics ..... 11  
Table 4. A.C. Electrical Characteristics ..... 13  
Table 5. I2C Timing Characteristics ..... 14  
Table 6. SPI Timing Characteristics ..... 15  
Table 7. Absolute Maximum Ratings ..... 16  
Table 8. Signal Descriptions ..... 17  
Table 9. Bill of Materials ..... 19  
Table 10. Serial Interface ..... 27  
Table 11. I<sup>2</sup>C Terms ..... 29

## 1 INTRODUCTION

### 1.1 PURPOSE AND SCOPE

This document provides a description, specifications, and design related information on the ICM-30670 MotionTracking device.

Specifications are subject to change without notice. Final specifications will be updated based upon characterization of production silicon.

### 1.2 PRODUCT OVERVIEW

The ICM-30670 is a MotionTracking device that combines a 3-axis gyroscope, 3-axis accelerometer, an ARM Cortex-M0 CPU, and a DMP4 Digital Motion Processor™ all in a small 4x4x0.98mm LGA package. The device supports the following features:

- ARM Cortex-M0 based open platform optimized for motion applications
- Support for Android Lollipop and beyond
- OIS Gyroscope Filter
- Smart FSR Switching between OIS and UI modes
- Memory: Variable size FIFO
- Runtime Calibration

The ICM-30670 serves as a sensor hub, supporting the collection and processing of data from internal and external sensors. It can offload processing from the Application Processor in a system, thereby helping to save system power and improve performance. The device includes a primary serial interface (I<sup>2</sup>C and 4-wire SPI) for communication from the host processor.

ICM-30670 devices, with their 6-axis integration, ARM Cortex-M0 CPU, DMP, and run-time calibration firmware, enable manufacturers to eliminate the costly and complex selection, qualification, and system level integration of discrete devices, guaranteeing optimal motion performance for consumers.

The gyroscope has a programmable full-scale range of  $\pm 250$ ,  $\pm 500$ ,  $\pm 1000$ , and  $\pm 2000$  degrees/sec. The accelerometer has a user-programmable accelerometer full-scale range of  $\pm 2g$ ,  $\pm 4g$ ,  $\pm 8g$ , and  $\pm 16g$ . Factory-calibrated initial sensitivity of both sensors reduces production-line calibration requirements.

Other key features include on-chip 16-bit ADCs, programmable digital filters, an embedded temperature sensor, and programmable interrupts. The device features I<sup>2</sup>C and SPI serial interfaces, a VDD operating range of 1.71 V to 3.6 V, and a separate digital IO supply, VDDIO from 1.71 V to 3.6 V. The device supports the following interface speeds: I<sup>2</sup>C up to 1 MHz or SPI up to 8 MHz.

By leveraging its patented and volume-proven CMOS-MEMS fabrication platform, which integrates MEMS wafers with companion CMOS electronics through wafer-level bonding, InvenSense has driven the package size down to a footprint and thickness of 4x4x0.98 mm (32-pin LGA), to provide a very small yet high-performance, low-cost package. The device provides high robustness by supporting 10,000g shock reliability.

### 1.3 APPLICATIONS

- Smart Phones and Tablets

## 2 FEATURES

### 2.1 GYROSCOPE FEATURES

- Digital-output X-, Y-, and Z-axis angular rate sensors (gyroscopes) with a user-programmable full-scale range of  $\pm 250$ ,  $\pm 500$ ,  $\pm 1000$ , and  $\pm 2000^\circ/\text{sec}$  and integrated 16-bit ADCs
- User-selectable Output Data Rate, ODR
- User-selectable low pass filters
- 1% Sensitivity Error
- Self-test

### 2.2 ACCELEROMETER FEATURES

- Digital-output X-, Y-, and Z-axis accelerometer with a programmable full scale range of  $\pm 2g$ ,  $\pm 4g$ ,  $\pm 8g$  and  $\pm 16g$  and integrated 16-bit ADCs
- User-selectable ODR
- User-selectable low pass filters
- Wake-on-motion interrupt for low power operation of applications processor
- Self-test

### 2.3 ARM CORTEX-M0 FEATURES

- 32-bit microprocessor
- Maximum speed 80 MHz
- Serial Wire Data Port for ARM Cortex-M0 user debug

### 2.4 DMP4 FEATURES

- Advanced MotionProcessing and low power functions such as gesture recognition using programmable interrupts
- Optimized for Android L support and beyond
- Integrated gyroscope filter for OIS
- Offloads computation of motion processing algorithms from the host processor. The DMP can be used to minimize power, simplify timing, simplify the software architecture, and save valuable MIPS on the host processor for use in applications.
- Optimized for fixed point processing and FFT generation and complements the CPU by offloading math intensive operations.
- DMP features simplify the software architecture resulting in a more robust overall solution.
- DMP features are OS, Platform, and Architecture independent, supporting virtually any AP, MCU, or other embedded architecture.

### 2.5 ON-CHIP MEMORY

- 64 KB Flash (provides user access for on-chip reprogrammable nonvolatile memory)
- 64 KB SRAM (accessible by Cortex-M0, DMP, FIFO)
- Configurable FIFO with multiple modes of operation and multiple watermark interrupts

## 2.6 CLOCK GENERATION UNIT

- High frequency RC oscillator for system clock
- Low frequency RC oscillator for periodic wake up
- Internal 32.768 kHz crystal oscillator for accurate time stamping
  - This oscillator requires an external 32.768 kHz input (pin XTALI)
  - Oscillator output pin (pin XTALO)

## 2.7 SERIAL INTERFACES

- One I<sup>2</sup>C slave controller for communication with application processors, operating at up to 1 MHz.
- One 4-wire SPI slave controller operating at speeds of up to 8MHz for communication with application processor
- I<sup>2</sup>C slave controller and SPI slave controller are multiplexed together, only one or the other may be used
- One I<sup>2</sup>C master controller for interfacing to external sensors (e.g. compass or barometer), operating at up to 1 MHz.
- One I<sup>2</sup>C master controller for interfacing to an OIS controller operating at up to 1MHz.

## 2.8 DIGITAL PERIPHERALS

- Up to 8 GPIO bidirectional pins that can be configured as general purpose input, general purpose output, interrupt input, or interrupt output
- Dedicated FSYNC input
- Four timers used for watchdog, timestamp, and general purpose timer functions

## 2.9 POWER MANAGEMENT

- Power modes for different levels of power savings: Sleep, Deep-Sleep, Power-Down
- Wake up from Sleep, and Deep-Sleep power modes via external interrupts or interrupts generated by always on blocks
- On-chip Power-On Reset and dedicated reset input pin
  - Reset input can be used to wake up the device from sleep



### 3 ELECTRICAL CHARACTERISTICS

#### 3.1 GYROSCOPE SPECIFICATIONS

Typical Operating Circuit of section 4.2, VDD = 1.8 V, VDDIO = 1.8 V, T<sub>A</sub> = 25°C, unless otherwise noted.

PARAMETER	CONDITIONS	MIN	TYP	MAX	UNITS	NOTES
<b>GYROSCOPE SENSITIVITY</b>						
Full-Scale Range			±250		°/s	1
			±500		°/s	1
			±1000		°/s	1
			±2000		°/s	1
Gyroscope ADC Word Length			16		bits	1
Sensitivity Scale Factor	Full-Scale Range = ±250°/s		131		LSB/(°s)	1
	Full-Scale Range = ±500°/s		65.5		LSB/(°s)	1
	Full-Scale Range = ±1000°/s		32.8		LSB/(°s)	1
	Full-Scale Range = ±2000°/s		16.4		LSB/(°s)	1
Sensitivity Scale Factor Tolerance	25°C		±1		%	2
Sensitivity Scale Factor Variation Over Temperature	-40°C to +85°C (UI mode)		±4		%	2
	-20°C to +75°C (OIS mode)		±2		%	2
Nonlinearity	Best fit straight line; 25°C		±0.2		%	2, 3
Cross-Axis Sensitivity			±2		%	2, 3
<b>ZERO-RATE OUTPUT (ZRO)</b>						
Initial ZRO Tolerance	25°C		±15		°/s	2
ZRO Variation Over Temperature	-40°C to +85°C (UI mode)		±7.5		°/s	2
	-20°C to +75°C (OIS mode)		±5		°/s	2
<b>GYROSCOPE NOISE PERFORMANCE (GYRO_FS_SEL=0)</b>						
Total RMS Noise	Noise Bandwidth = 154 Hz Calculated from Noise Spectral Density		0.06		°/s-rms	2, 3
Noise Spectral Density	Based on Noise Bandwidth = 10 Hz		0.005		°/s/√Hz	2
<b>GYROSCOPE MECHANICAL FREQUENCIES</b>		25	27	29	kHz	2
<b>LOW PASS FILTER RESPONSE</b>	Programmable Range	5.7		197	Hz	1, 3
<b>GYROSCOPE START-UP TIME</b>	From Full-Chip Sleep mode		35		ms	2, 3
<b>OUTPUT DATA RATE</b>	Programmable, Low-Noise mode	3.91	10, 50, 100, 200, 333, 500, 1000	8000	Hz	1
	Low Power Mode	3.91		500	Hz	

**Table 1. Gyroscope Specifications**

**Notes:**

1. Guaranteed by design
2. Derived from validation or characterization of parts, not guaranteed in production
3. Low-noise mode specification

### 3.2 ACCELEROMETER SPECIFICATIONS

Typical Operating Circuit of section 4.2, VDD = 1.8 V, VDDIO = 1.8 V, T<sub>A</sub> = 25°C, unless otherwise noted.

PARAMETER	CONDITIONS	MIN	TYP	MAX	UNITS	NOTES
<b>ACCELEROMETER SENSITIVITY</b>						
Full-Scale Range			±2		g	1
			±4		g	1
			±8		g	1
			±16		g	1
ADC Word Length	Output in two's complement format		16		bits	1
Sensitivity Scale Factor	Full-Scale Range = ±2g		16,384		LSB/g	1
	Full-Scale Range = ±4g		8,192		LSB/g	1
	Full-Scale Range = ±8g		4,096		LSB/g	1
	Full-Scale Range = ±16g		2,048		LSB/g	1
Initial Tolerance	Component-level		±3		%	2
Sensitivity Change vs. Temperature	-40°C to +85°C		±4		%	2
Nonlinearity	Best Fit Straight Line		±0.5		%	2, 3
Cross-Axis Sensitivity			±2		%	2, 3
<b>ZERO-G OUTPUT</b>						
Initial Tolerance	Component-level, all axes		±80		mg	2
Zero-G Level Change vs. Temperature	-40°C to +85°C		±2		mg/°C	2
<b>ACCELEROMETER NOISE PERFORMANCE</b>						
Total RMS Noise	Noise Bandwidth = 136 Hz Calculated from Noise Spectral Density		2.6		mg-rms	2, 3
Noise Spectral Density	Based on Noise Bandwidth = 10 Hz		220		μg/√Hz	2
<b>LOW PASS FILTER RESPONSE</b>	Programmable Range	5.7		246	Hz	1, 3
<b>INTELLIGENCE FUNCTION INCREMENT</b>			32		mg/LSB	1
<b>ACCELEROMETER STARTUP TIME</b>	From Sleep mode		20		ms	2, 3
	From Cold Start, 1 ms V <sub>DD</sub> ramp		30		ms	2, 3
<b>OUTPUT DATA RATE</b>	Programmable, Low-Noise mode	3.91	10, 50, 100, 200, 333, 500, 1000	8000	Hz	1
	Low Power Mode	3.91		500	Hz	

**Table 2. Accelerometer Specifications**

**Notes:**

1. Guaranteed by design
2. Derived from validation or characterization of parts, not guaranteed in production
3. Low-noise mode specification

### 3.3 ELECTRICAL SPECIFICATIONS

#### 3.3.1 D.C. Electrical Characteristics

Typical Operating Circuit of section 4.2, VDD = 1.8 V, VDDIO = 1.8 V, T<sub>A</sub> = 25°C, unless otherwise noted.

PARAMETER	CONDITIONS	MIN	TYP	MAX	UNITS	NOTES
<b>SUPPLY VOLTAGES</b>						
VDD		1.71	1.8	3.6	V	1
VDDIO		1.71	1.8	3.6	V	1
<b>SUPPLY CURRENTS</b>						
Gyroscope Only Low-Power Mode (Accelerometer disabled)	100 Hz update rate, 1x averaging filter		1.62		mA	2, 3
Accelerometer Only Low-Power Mode (Gyroscope disabled)	100 Hz update rate, 1x averaging filter		55		μA	2, 3
6-Axis Low-Power Mode (Gyroscope Low-Power Mode; Accelerometer Low-Noise Mode)	100 Hz update rate, 1x averaging filter		1.92		mA	2, 3
Full-Chip Deep Sleep Mode			30		μA	2
Power Down Mode			10		μA	2
<b>TEMPERATURE RANGE</b>						
Specified Temperature Range	Performance parameters are not applicable beyond Specified Temperature Range	-40		+85	°C	1

**Table 3. D.C. Electrical Characteristics**

**Notes:**

1. Guaranteed by design
2. Derived from validation or characterization of parts, not guaranteed in production
3. The 100 Hz ODR value shown here is an example, other ODRs may also be used

### 3.3.2 A.C. Electrical Characteristics

Typical Operating Circuit of section 4.2, VDD = 1.8V, VDDIO = 1.8V, T<sub>A</sub>=25°C, unless otherwise noted.

PARAMETER	CONDITIONS	MIN	TYP	MAX	UNITS	NOTES
<b>TEMPERATURE SENSOR</b>						
Operating Range	Ambient	-40		85	°C	1
Sensitivity	Untrimmed		333.87		LSB/°C	
Room Temp Offset	21°C		0		LSB	
<b>Power-On RESET</b>						
Supply Ramp Time (T <sub>RAMP</sub> )	Valid power-on RESET	0.1	20	100	ms	1
Start-up time for register read/write	From power-up		11	100	ms	1
<b>I2C SLAVE ADDRESS</b>	AD0 = 0 AD0 = 1		1101010 (0x6A) 1101011 (0x6B)			
<b>DIGITAL INPUTS (FSYNC, AD0, SCLK, SDI, CS)</b>						
V <sub>IH</sub> , High Level Input Voltage		0.7*VDDIO			V	1
V <sub>IL</sub> , Low Level Input Voltage				0.3*VDDIO	V	
C <sub>i</sub> , Input Capacitance			< 10		pF	
<b>DIGITAL OUTPUT (SDO, GPIOs)</b>						
V <sub>OH</sub> , High Level Output Voltage	R <sub>LOAD</sub> =1MΩ;	0.9*VDDIO			V	1
V <sub>OL1</sub> , LOW-Level Output Voltage	R <sub>LOAD</sub> =1MΩ;			0.1*VDDIO	V	
V <sub>OLINT1</sub> , INT Low-Level Output Voltage	OPEN=1, 0.3mA sink Current			0.1	V	
Output Leakage Current	OPEN=1		100		nA	
t <sub>INT</sub> , INT Pulse Width	LATCH_INT_EN=0	1		16	μs	
<b>I2C I/O (SCL, SDA)</b>						
V <sub>IL</sub> , LOW Level Input Voltage		-0.5V		0.3*VDDIO	V	1
V <sub>IH</sub> , HIGH-Level Input Voltage		0.7*VDDIO		VDDIO + 0.5V	V	
V <sub>hys</sub> , Hysteresis			0.1*VDDIO		V	
V <sub>OL</sub> , LOW-Level Output Voltage	3mA sink current	0		0.4	V	
I <sub>OL</sub> , LOW-Level Output Current	V <sub>OL</sub> =0.4V V <sub>OL</sub> =0.6V		3 6		mA mA	
Output Leakage Current			100		nA	
t <sub>of</sub> , Output Fall Time from V <sub>IHmax</sub> to V <sub>ILmax</sub>	C <sub>b</sub> bus capacitance in pf	20+0.1C <sub>b</sub>		250	ns	
<b>AUXILLIARY I/O (AUX_SCL, AUX_SDA)</b>						
V <sub>IL</sub> , LOW-Level Input Voltage		-0.5V		0.3*VDDIO	V	1
V <sub>IH</sub> , HIGH-Level Input Voltage		0.7* VDDIO		VDDIO + 0.5V	V	
V <sub>hys</sub> , Hysteresis			0.1* VDDIO		V	
V <sub>OL1</sub> , LOW-Level Output Voltage	VDDIO > 2V; 1mA sink current	0		0.4	V	
V <sub>OL3</sub> , LOW-Level Output Voltage	VDDIO < 2V; 1mA sink current	0		0.2* VDDIO	V	
I <sub>OL</sub> , LOW-Level Output Current	V <sub>OL</sub> = 0.4V V <sub>OL</sub> = 0.6V		3 6		mA mA	
Output Leakage Current			100		nA	
t <sub>of</sub> , Output Fall Time from V <sub>IHmax</sub> to V <sub>ILmax</sub>	C <sub>b</sub> bus capacitance in pF	20+0.1C <sub>b</sub>		250	ns	
<b>INTERNAL CLOCK SOURCE</b>						
RC Oscillator	Maximum Frequency		80		MHz	1
	Variation over operating range	-10		+10	%	1
Wakeup Oscillator	Target Frequency		8		kHz	1
	Variation over operating range	-20		+20	%	1

EXTERNAL CLOCK SOURCE						
Crystal Oscillator	Frequency		32.768		kHz	1
	Crystal Q	4250				1
	Duty Cycle	30		70	%	1
	Crystal Load Capacitance		9		pF	1
	Device Startup Time			200	ms	1

**Table 4. A.C. Electrical Characteristics**

**Notes:**

1. Derived from validation or characterization of parts, not guaranteed in production.

### 3.4 I2C TIMING CHARACTERIZATION

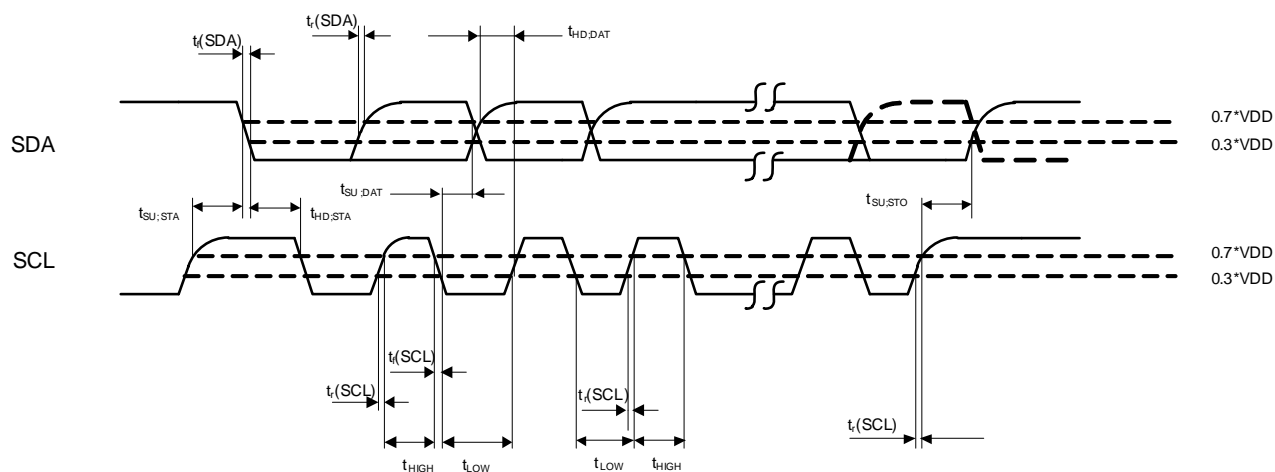
Typical Operating Circuit of section 4.2, VDD = 1.8V, VDDIO = 1.8V, T<sub>A</sub>=25°C, unless otherwise noted.

Parameters	Conditions	Min	Typical	Max	Units	Notes
<b>I2C TIMING</b>		<b>I2C HIGH-SPEED MODE</b>				
f <sub>SCL</sub> , SCL Clock Frequency				1	MHz	1
t <sub>HD,STA</sub> , (Repeated) START Condition Hold Time		0.26			μs	1
t <sub>LOW</sub> , SCL Low Period		0.5			μs	1
t <sub>HIGH</sub> , SCL High Period		0.26			μs	1
t <sub>SU,STA</sub> , Repeated START Condition Setup Time		0.26			μs	1
t <sub>SU,DAT</sub> , SDA Data Setup Time		50			ns	1
t <sub>r</sub> , SDA and SCL Rise Time				120	ns	1
t <sub>f</sub> , SDA and SCL Fall Time		6.6		120	ns	1
t <sub>SU,STO</sub> , STOP Condition Setup Time		0.26			μs	1
C <sub>b</sub> , Capacitive Load for each Bus Line				550	pF	1

**Table 5. I2C Timing Characteristics**

**Notes:**

1. Timing Characteristics apply to Primary, Auxiliary, and OIS I2C Bus



**Figure 1. I2C Bus Timing Diagram**

### 3.5 SPI TIMING CHARACTERIZATION

Typical Operating Circuit of section 4.2, VDD = 1.8 V, VDDIO = 1.8 V, T<sub>A</sub> = 25°C, unless otherwise noted.

Parameters	Conditions	Min	Typical	Max	Units	Notes
<b>SPI TIMING</b>						
f <sub>SPC</sub> , SPC Clock Frequency				8	MHz	
t <sub>LOW</sub> , SPC Low Period		56			ns	
t <sub>HIGH</sub> , SPC High Period		56			ns	
t <sub>SU,CS</sub> , CS Setup Time		2			ns	
t <sub>HD,CS</sub> , CS Hold Time		63			ns	
t <sub>SU,SDI</sub> , SDI Setup Time		3			ns	
t <sub>HD,SDI</sub> , SDI Hold Time		7			ns	
t <sub>VD,SDO</sub> , SDO Valid Time	C <sub>load</sub> = 20pF			40	ns	
t <sub>DIS,SDO</sub> , SDO Output Disable Time				20	ns	

Table 6. SPI Timing Characteristics

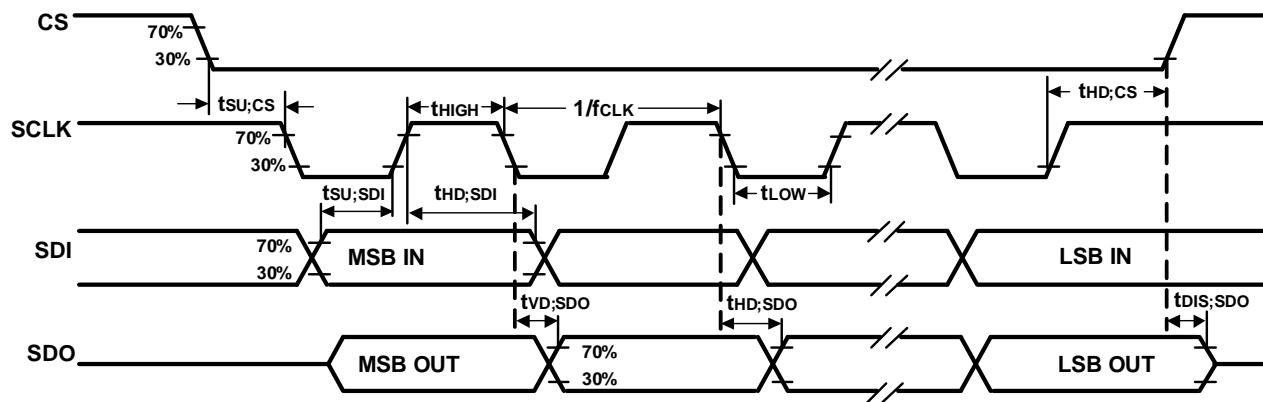


Figure 2. SPI Bus Timing Diagram

### 3.6 ABSOLUTE MAXIMUM RATINGS

Stress above those listed as “Absolute Maximum Ratings” may cause permanent damage to the device. These are stress ratings only and functional operation of the device at these conditions is not implied. Exposure to the absolute maximum ratings conditions for extended periods may affect device reliability.

PARAMETER	RATING
Supply Voltage, VDD	-0.5 V to +4 V
Supply Voltage, VDDIO	-0.5 V to +4 V
REGOUT	-0.5 V to 2 V
Input Voltage Level (AUX_SDA, AD0, FSYNC, INT, SCL, SDA)	-0.5 V to VDDIO + 0.5 V
Acceleration (Any Axis, unpowered)	10,000g for 0.2 ms
Operating Temperature Range	-40°C to +105°C
Storage Temperature Range	-40°C to +125°C
Electrostatic Discharge (ESD) Protection	2 kV (HBM); 200 V (MM)
Latch-up	JEDEC Class II (2), 125°C ±100 mA

**Table 7. Absolute Maximum Ratings**



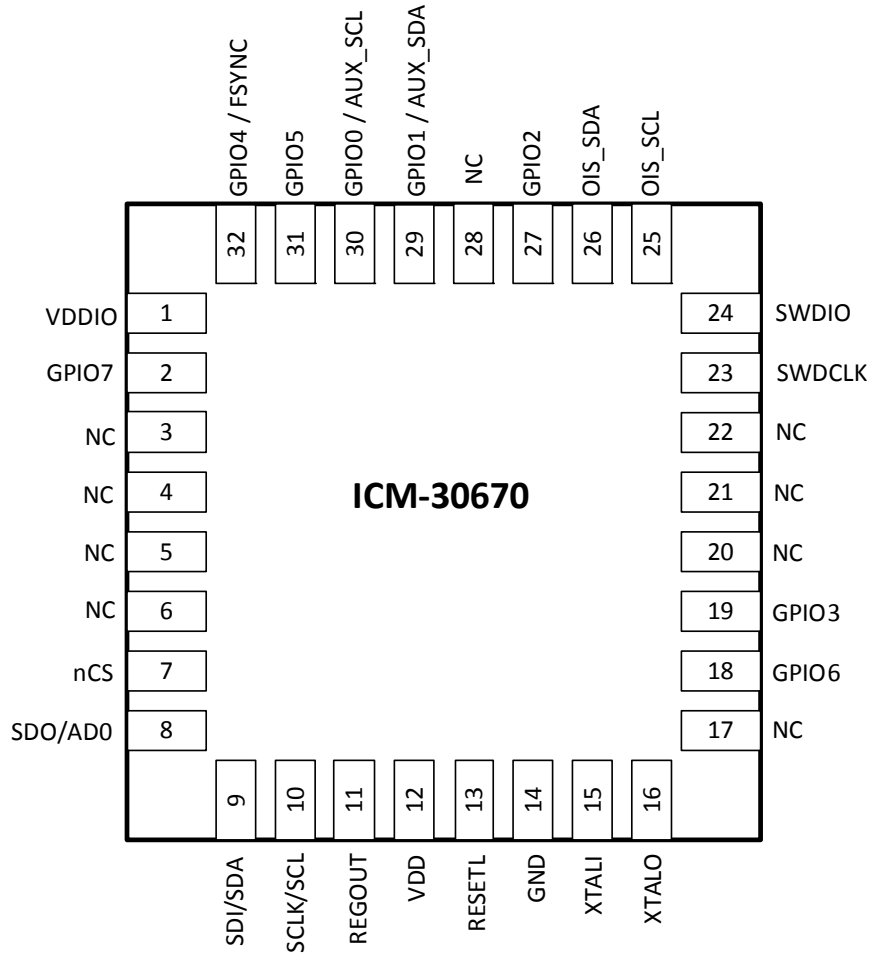
## 4 APPLICATIONS INFORMATION

### 4.1 PIN OUT DIAGRAM AND SIGNAL DESCRIPTION

PIN NUMBER	PIN NAME	PIN DESCRIPTION
1	VDDIO	VDDIO
2	GPIO7	GPIO7
3	NC	No Connect
4	NC	No Connect
5	NC	No Connect
6	NC	No Connect
7	nCS	SPI slave CSN
8	SDO/AD0	SPI slave SDO / I2C slave address LSB
9	SDI/SDA	I2C slave SDA / SPI slave SDI
10	SCLK/SCL	I2C slave SCL / SPI slave SCLK
11	REGOUT	REGOUT Regulator Filter Cap Connection
12	VDD	VDD Power Supply Voltage
13	RESETL	RESETL External Reset Input
14	GND	GND Power Supply Ground
15	XTALI/CLKIN	XTALI 32 kHz crystal input/clk in 32kHz
16	XTALO	XTALO 32 kHz crystal output
17	NC	No Connect
18	GPIO6	GPIO6
19	GPIO3	GPIO3
20	NC	No Connect
21	NC	No Connect
22	NC	No Connect
23	SWDCLK	Serial Wire Debug Port – Clock Signal
24	SWDIO	Serial Wire Debug Port – Data Signal
25	OIS_SCL	I <sup>2</sup> C master clock for OIS
26	OIS_SDA	I <sup>2</sup> C master data for OIS
27	GPIO2	GPIO2
28	NC	No Connect
29	GPIO1 / AUX_SDA	GPIO1 / I <sup>2</sup> C master data for auxiliary sensors
30	GPIO0 / AUX_SCL	GPIO0 / I <sup>2</sup> C master clock for auxiliary sensors
31	GPIO5	GPIO5
32	GPIO4/FSYNC	GPIO4 / FSYNC

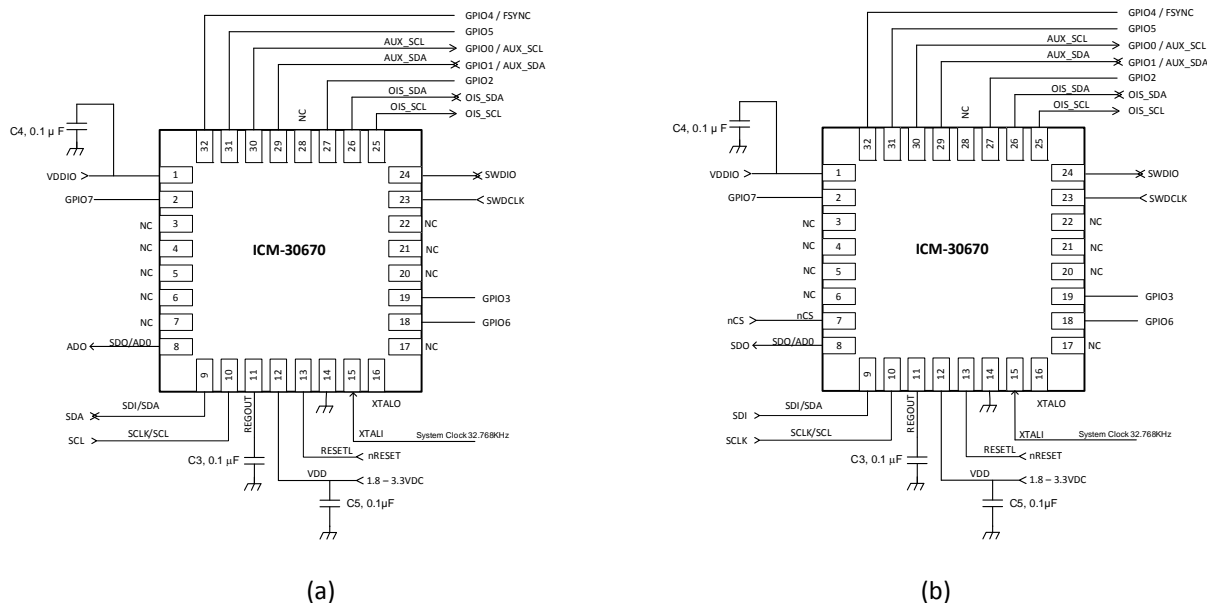
**Table 8. Signal Descriptions**

Note: Power up with SCLK/SCL and nCS pins held low is not a supported use case.



**Figure 3. Pin out Diagram for ICM-30670 4x4x0.98 mm LGA**

## 4.2 TYPICAL OPERATING CIRCUIT



**Figure 4. ICM-30670 Application Schematic (a) I<sup>2</sup>C operation (b) SPI operation**

I<sup>2</sup>C lines are open drain and pull-up resistors (e.g. 10 kΩ) are required. Please refer to the ICM-30670 System Hardware Design Guide for further details of pull-up resistor requirements.

## 4.3 BILL OF MATERIALS FOR EXTERNAL COMPONENTS

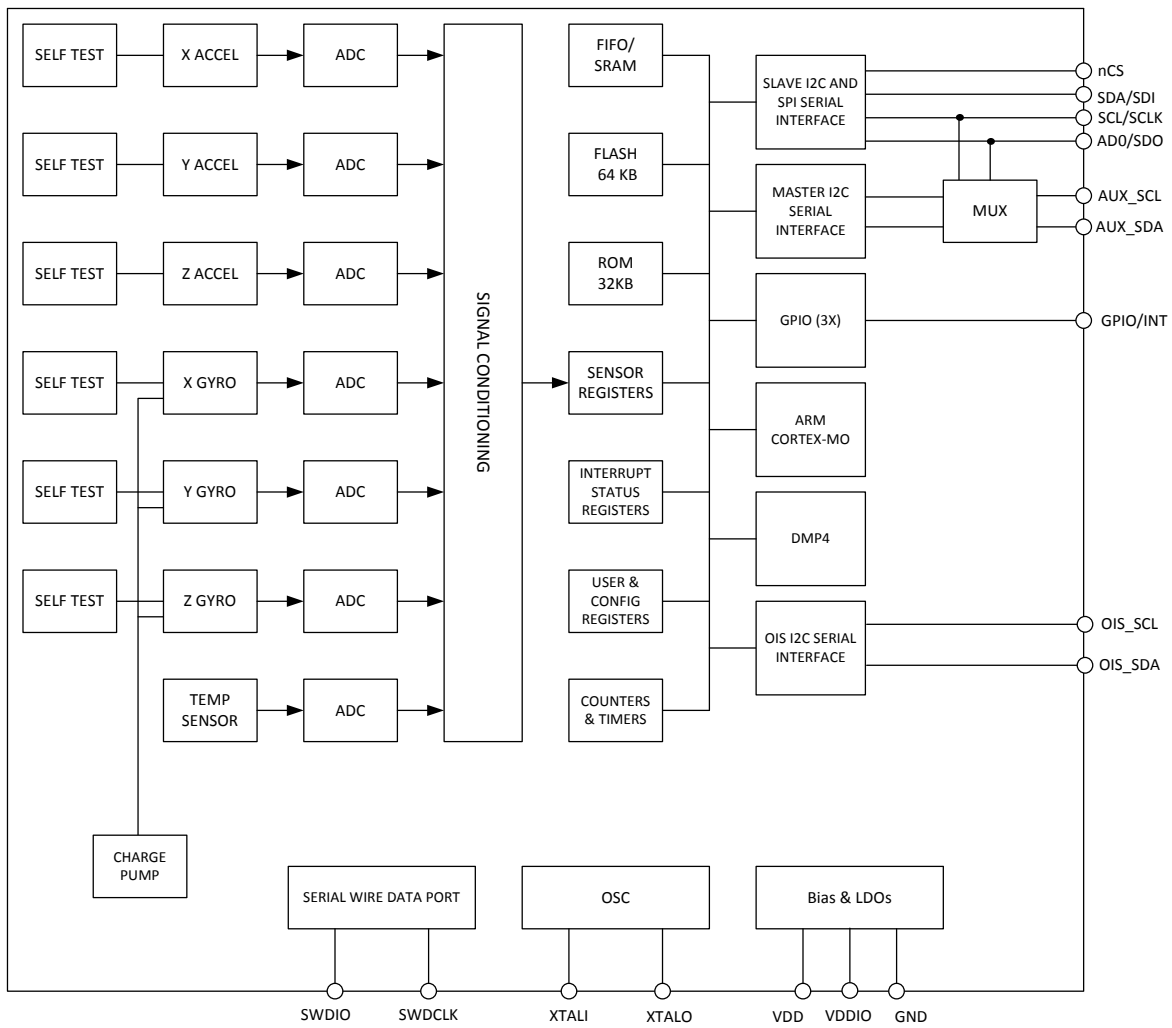
COMPONENT	LABEL	SPECIFICATION	QUANTITY
Decoupling Capacitor	C3, C4, C5	Ceramic, X7R, 0.1 µF ±10%, 10 V	4
Crystal Resonator Load Capacitor <sup>1</sup> (internal)	C1, C2	18 pF	2
Crystal Resonator	X1	Xtal, AH-32.768KDZF-T, or equivalent	1

**Table 9. Bill of Materials**

**Note 1:**

$$\text{Crystal Resonator Load Capacitor} = 2 \times (C_{\text{crystal}} - 3.15\text{pF} - C_{\text{pcb}})$$

**4.4 ICM-30670 BLOCK DIAGRAM**



**Figure 5. ICM-30670 Block Diagram**

## 4.5 OVERVIEW

The ICM-30670 serves as a hub for collecting sensor data from sensors located on the ICM-30670 as well as external 3<sup>rd</sup> party sensors. The device consists of the following key blocks and functions:

- Three-axis MEMS rate gyroscope sensor with 16-bit ADCs and signal conditioning
- Three-axis MEMS accelerometer sensor with 16-bit ADCs and signal conditioning
- ARM Cortex-M0 CPU
- Digital Motion Processor (DMP4) engine
- Flash
- ROM
- SRAM
- FIFO
- 8 GPIOs
- DMA Controller
- Primary slave I<sup>2</sup>C or slave SPI serial communications interfaces
- Auxiliary I<sup>2</sup>C serial interface
- OIS I<sup>2</sup>C serial interface
- 4 Timers
- Serial Wire Data Port
- Self-Test
- Clocking
- Interrupts
- On-Chip Oscillators
- Power Modes

## 4.6 THREE-AXIS MEMS GYROSCOPE WITH 16-BIT ADCS AND SIGNAL CONDITIONING

The ICM-30670 consists of three independent vibratory MEMS rate gyroscopes, which detect rotation about the X-, Y-, and Z- Axes. When the gyros are rotated about any of the sense axes, the Coriolis Effect causes a vibration that is detected by a capacitive pickoff. The resulting signal is amplified, demodulated, and filtered to produce a voltage that is proportional to the angular rate. This voltage is digitized using individual on-chip 16-bit Analog-to-Digital Converters (ADCs) to sample each axis. The full-scale range of the gyro sensors may be digitally programmed to  $\pm 250$ ,  $\pm 500$ ,  $\pm 1000$ , or  $\pm 2000$  degrees per second (dps).

## 4.7 THREE-AXIS MEMS ACCELEROMETER WITH 16-BIT ADCS AND SIGNAL CONDITIONING

The ICM-30670's 3-Axis accelerometer uses separate proof masses for each axis. Acceleration along a particular axis induces displacement on the corresponding proof mass, and capacitive sensors detect the displacement differentially. The ICM-30670's architecture reduces the accelerometers' susceptibility to fabrication variations as well as to thermal drift. When the device is placed on a flat surface, it will measure  $0g$  on the X- and Y-axes and  $+1g$  on the Z-axis. The accelerometers' scale factor is calibrated at the factory and is nominally independent of supply voltage. Each sensor has a dedicated sigma-delta ADC for providing digital outputs. The full scale range of the digital output can be adjusted to  $\pm 2g$ ,  $\pm 4g$ ,  $\pm 8g$ , or  $\pm 16g$ .

## 4.8 ARM CORTEX-M0 CPU

The ICM-30670 includes an ARM Cortex-M0 CPU. The CPU is a general purpose, 32-bit microprocessor that offers high performance at very low power consumption. It can operate at up to a maximum speed of 80MHz. The CPU uses Thumb-2<sup>®</sup> technology, providing a blend of 16/32-bit instructions that deliver a small code size. Due to its embedded ARM core, the ICM-30670 is compatible with ARM tools and software.

The CPU can be used to collect and process data from sensors that are included in the ICM-30670 as well as external sensors, so that the ICM-30670 can be used as a Sensor Hub. It enables the ICM-30670 to function as a sensor hub which is an open platform where developers can add their differentiated features.

## 4.9 DIGITAL MOTION PROCESSOR

The ICM-30670 includes a DMP4 Digital Motion Processor. The DMP4 together with the ARM Cortex-M0 CPU can offload computation of motion processing algorithms from the host processor. DMP4 can be used for fixed point processing and FFT generation. It is register based for power and flexibility.

## 4.10 FLASH

Flash Memory is partitioned into two memory blocks:

- A main memory block of 64K bytes that is available for user program.
- A second memory block is reserved for InvenSense use. It is programmed by InvenSense during device production. It contains information for optimizing device performance.

At startup, the ICM-30670 boots from the reserved section that was programmed by InvenSense. At the end of this step, the system boots from the main Flash that contains the user program.

## 4.11 SRAM

The ICM-30670 includes SRAM whose total size is 64K bytes. This SRAM space is shared among storage for ARM Cortex-M0, DMPs, and FIFO.

## 4.12 FIFO

The ICM-30670 contains a FIFO that is accessible via the SPI/I<sup>2</sup>C interfaces. The FIFO is used to keep a history of most recent sensors output, DMP or Cortex M0 results. The FIFO can be configured as a single FIFO or multiple FIFOs. The FIFO uses part of the SRAM, while the remainder of the SRAM is used by the M0, DMP, and as shared SRAM. FIFO size is variable depending on software configuration.

The FIFO can be written to by DMA, DMP, ARM Cortex-M0 and by the user through serial interface. It can be read through serial interface, DMP or ARM Cortex-M0. In multiple FIFO mode, up to 4 FIFOs are available and any number, ranging from 0-3 can be configured. There is no association of a FIFO to a particular sensor type, the DMP or the M0. DMP and M0 can read and write to all 4 FIFOs.

In multiple FIFO mode, each sensor output can be read from a separate FIFO. Separate sensors can control their FIFOs based on individual ODRs. Slower sensors (compass, barometer) do not need to update the FIFO at the same rate as faster sensors. This provides ease of use and more efficient use of FIFO space.

## 4.13 GPIO

The ICM-30670 supports 8 GPIO bidirectional pins that can be configured as general purpose input, general purpose output, interrupt input, or interrupt output.

## 4.14 DMA CONTROLLER

The DMA controller allows various types of data transfers without processor intervention.

#### 4.15 PRIMARY SLAVE I<sup>2</sup>C OR SLAVE SPI SERIAL COMMUNICATIONS INTERFACES

The ICM-30670 communicates to a host application processor through either an I<sup>2</sup>C or an SPI serial interface. The ICM-30670 always acts as a slave when communicating to the application processor. The I<sup>2</sup>C and SPI slave interface can be used by the application processor to program the ICM-30670 or to read its on-chip memories.

##### 4.15.1 ICM-30670 Solution Using I<sup>2</sup>C Interface

In the figure below, the system processor is an I<sup>2</sup>C master to the ICM-30670. In addition, the ICM-30670 is an I<sup>2</sup>C master to the optional external compass sensor.

The ARM Cortex-M0 processor on ICM-30670 can be used to manage the initial configuration of any auxiliary sensors. Alternatively, the system processor can be used for initial configuration of auxiliary sensors. The ICM-30670 has an interface bypass multiplexer, which connects the system processor I<sup>2</sup>C bus pins SDA and SCL directly to the auxiliary sensor I<sup>2</sup>C bus pins AUX\_SDA and AUX\_SCL. Once the auxiliary sensors have been configured by the system processor, the interface bypass multiplexer should be disabled so that the ICM-30670 auxiliary I<sup>2</sup>C master can take control of the sensor I<sup>2</sup>C bus and gather data from the auxiliary sensors. Please note that pull-up resistors are required for the I<sup>2</sup>C interface.

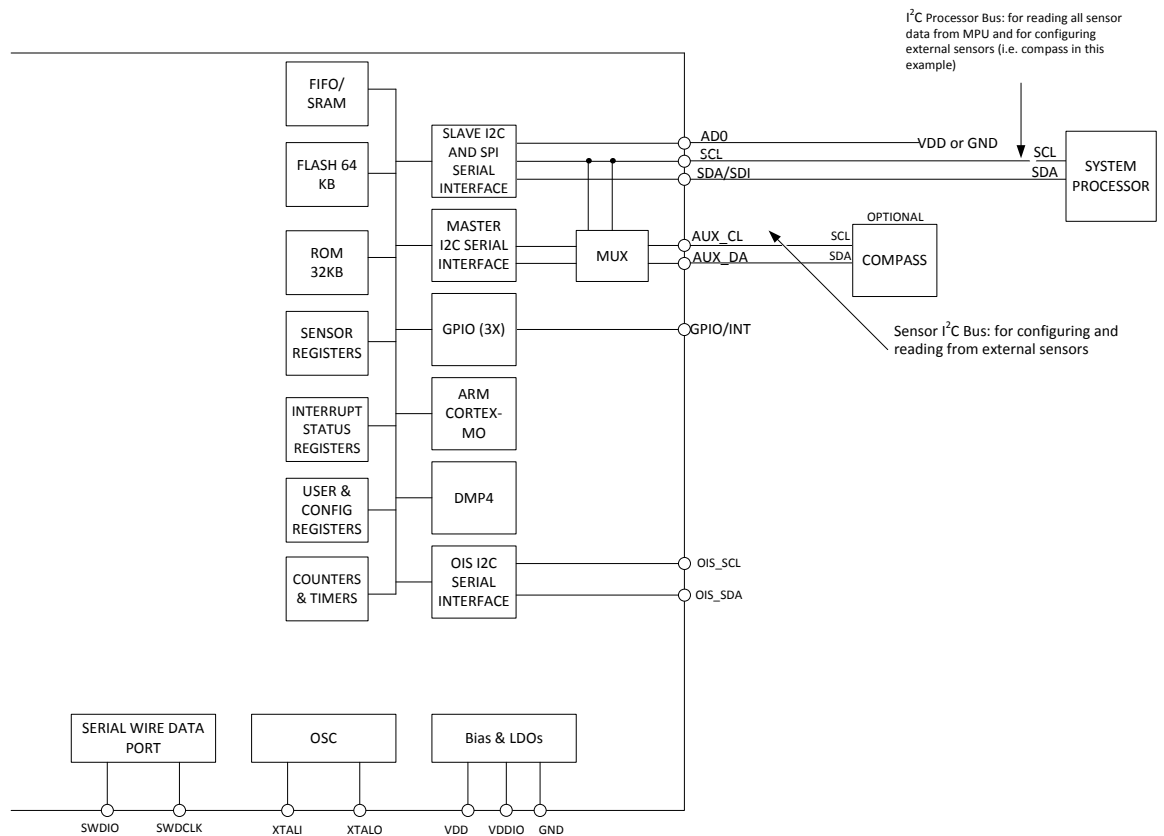
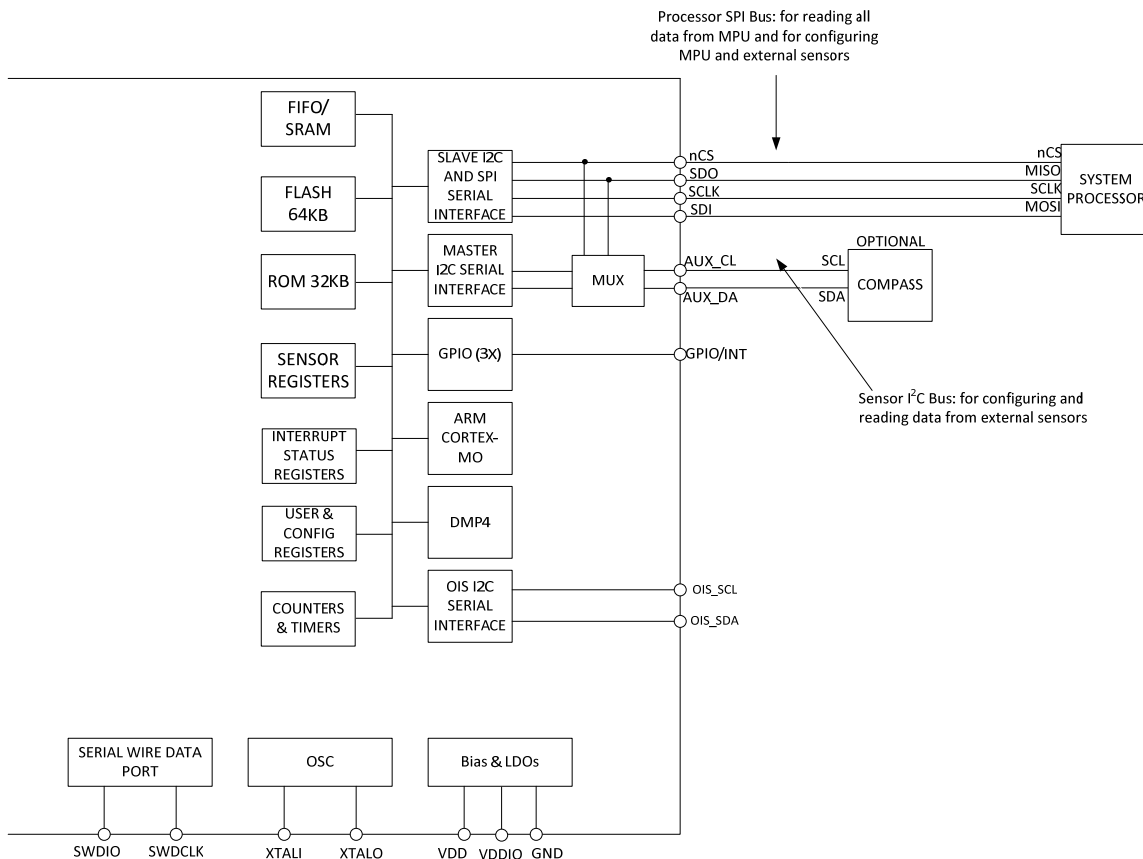


Figure 6 ICM-30670 Solution Using I<sup>2</sup>C Interface

### 4.15.2 ICM-30670 Solution Using SPI Interface

In the figure below, the system processor is an SPI master to the ICM-30670. Pins nCS, SDO, SCLK, and SDI signals are used for SPI communications. Because these SPI pins are shared with the I<sup>2</sup>C slave pins, the system processor cannot access the auxiliary I<sup>2</sup>C bus through the interface bypass multiplexer, which connects the processor I<sup>2</sup>C interface pins to the sensor I<sup>2</sup>C interface pins. The ARM Cortex-M0 can be used to manage the initial configuration of any auxiliary sensors. The alternative approach described in the previous section, of using the system processor to manage initial configuration of auxiliary sensors, cannot be used in this case. Please note that pull-up resistors are required for the I<sup>2</sup>C interface.



**Figure 7. ICM-30670 Solution Using SPI Interface**

### 4.16 AUXILIARY I<sup>2</sup>C SERIAL INTERFACE

The ICM-30670 has an auxiliary I<sup>2</sup>C bus for communicating to an off-chip 3-Axis digital output magnetometer or other sensors. This bus has two operating modes:

- **I<sup>2</sup>C Master Mode:** The ICM-30670 acts as a master to any external sensors connected to the auxiliary I<sup>2</sup>C bus.
- **Pass-Through Mode:** The ICM-30670 directly connects the primary and auxiliary I<sup>2</sup>C buses together, allowing the system processor to directly communicate with any external sensors.

#### Auxiliary I<sup>2</sup>C Bus Modes of Operation:

- **I<sup>2</sup>C Master Mode:** Allows the ICM-30670 to directly access the data registers of external digital sensors, such as a magnetometer. In this mode, the ICM-30670 directly obtains data from auxiliary sensors without intervention from the system applications processor.

For example, in I<sup>2</sup>C Master mode, the ICM-30670 can be configured to perform burst reads, returning the following data from a magnetometer:

- X magnetometer data (2 bytes)



- Y magnetometer data (2 bytes)
  - Z magnetometer data (2 bytes)
- **Pass-Through Mode:** Allows an external system processor to act as master and directly communicate to the external sensors connected to the auxiliary I<sup>2</sup>C bus pins (AUX\_SDA and AUX\_SCL). In this mode, the auxiliary I<sup>2</sup>C bus control logic (3<sup>rd</sup> party sensor interface block) of the ICM-30670 is disabled, and the auxiliary I<sup>2</sup>C pins AUX\_SDA and AUX\_SCL are connected to the main I<sup>2</sup>C bus through analog switches internally. Pass-Through mode is useful for configuring the external sensors.

#### 4.17 OIS I<sup>2</sup>C SERIAL INTERFACE

The ICM-30670 includes an I<sup>2</sup>C interface for communicating with OIS controllers. The interface consists of two I<sup>2</sup>C bus pins (OIS\_SDA and OIS\_SCL).

#### 4.18 TIMERS

The ICM-30670 includes four timers that can be used for timestamp, watchdog, and general purpose timer functions.

- **Timestamp Timer:** A 32-bit free running counter is used for time stamping. This timer runs on a 32 kHz crystal.
- **Watchdog Timer:** This is a 32-bit timer that can be used as a watchdog timer for either the ARM Cortex-M0 or DMP4.
- **General Purpose Timers:** These are two general purpose 32-bit countdown timers used to generate interrupts.

#### 4.19 SERIAL WIRE DATA PORT

The ICM-30670 includes a reduced pin-count debug interface, known as the Serial Wire Data Port. It provides the ability to debug and trace functionality on the ARM-M0 processor on the ICM-30670. The port consists of two pins:

- SWDIO: Serial Wire Debug Port – Data Signal
- SWDCLK: Serial Wire Debug Port – Clock Signal

#### 4.20 INTERRUPTS

The ICM-30670 has a programmable interrupt system that can generate an interrupt signal on the 3 interrupt pins that are shared with GPIO. Status flags indicate the source of an interrupt. Interrupt sources may be enabled and disabled individually.

The following events can cause an interrupt:

- DMP or ARM Cortex M0 signals a Motion Detection interrupt to the application processor
- FIFO data ready interrupt
- FIFO watermark interrupt
- FIFO overflow
- Sensor data ready
- External FSYNC
- I<sup>2</sup>C slave interrupt
- I<sup>2</sup>C slave NACK or I<sup>2</sup>C master lost arbitration

External slaves can interrupt ICM-30670 through GPIOs configured as interrupt inputs.

## 4.21 ON-CHIP OSCILLATORS

The ICM-30670 includes 3 on-chip oscillators:

- High frequency RC oscillator for system clock
- Low frequency RC oscillator for periodic wake up
- Internal oscillator for accurate time stamping functions
  - Requires external 32 KHz clock input from crystal or any other clock source

## 4.22 STANDARD POWER MODES

The ICM-30670 supports the following power modes:

- **Power Down Mode:** All digital circuitry is off, but analog POR is on and listening to external input to wake up the system on an interrupt. There is no data retention in this mode except for Flash.
- **Deep Sleep Mode:** ROM and Flash are powered off but the rest of the digital circuitry is on for data retention. RC oscillator is powered off.
- **Sleep Mode:** All digital circuitry is powered on and idle. RC oscillator is powered off.

In addition, the ICM-30670 supports active power modes with the following functionalities: 6-axis, Accelerometer only, Gyroscope only, ARM-M0 only, DMP4 only.

In active power state the sensors and CPUs are either off or duty cycling. The chip can transition from active mode to any of the sleep modes, but not from one sleep mode to another.

The following tables summarize the state of the main elements of ICM-30670 in various power modes:

Note: The standard mode of gyroscope and accelerometer operation is duty-cycled

### Low-Power Modes:

Mode	ARM-M0	DMP4	AUX I2C	ROM	Flash	Rest of Digital	RC Oscillator	Gyroscope	Accelerometer
Power Down	Off	Off	Off	Off	Off	Off	Off	Off	Off
Deep Sleep	Off	Off	Off	Off	Off	On	Off	Off	Off
Sleep	Off	Off	Off	On	On	On	Off	Off	Off

### Active Modes:

Mode	ARM-M0	DMP4	Gyroscope	Accelerometer
6-Axis	On or Duty-Cycled or Off	On or Duty-Cycled or Off	Low-Noise or Duty-Cycled	Low-Noise or Duty-Cycled
Accelerometer	On or Duty-Cycled or Off	On or Duty-Cycled or Off	Off	Low-Noise or Duty-Cycled
Gyroscope	On or Duty-Cycled or Off	On or Duty-Cycled or Off	Low-Noise or Duty-Cycled	Off
ARM-M0 Only	On	Off	Off	Off
DMP4 Only	Off	On	Off	Off

## 5 DIGITAL INTERFACE

### 5.1 I<sup>2</sup>C AND SPI SERIAL INTERFACES

The ICM-30670 can be accessed using either I<sup>2</sup>C at up to 1 MHz or SPI at up to 8 MHz. SPI operates in four-wire mode.

PIN NUMBER	PIN NAME	PIN DESCRIPTION
7	nCS	SPI slave CSN
8	SDO/AD0	SPI slave SDO / I <sup>2</sup> C slave address LSB
9	SDI/SDA	SPI slave SDI / I <sup>2</sup> C slave SDA
10	SCLK/SCL	SPI slave SCLK / I <sup>2</sup> C slave SCL

**Table 10. Serial Interface**

### 5.2 I<sup>2</sup>C INTERFACE

I<sup>2</sup>C is a two-wire interface comprised of the signals serial data (SDA) and serial clock (SCL). In general, the lines are open-drain and bi-directional. In a generalized I<sup>2</sup>C interface implementation, attached devices can be a master or a slave. The master device puts the slave address on the bus, and the slave device with the matching address acknowledges the master.

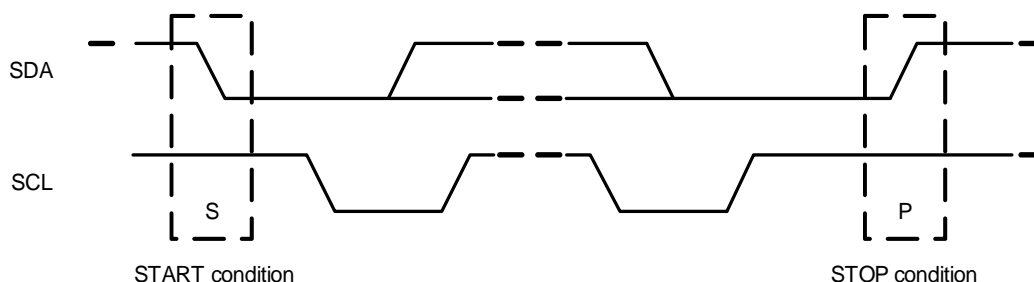
The ICM-30670 always operates as a slave device when communicating to the system processor, which thus acts as the master. SDA and SCL lines typically need pull-up resistors to VDDIO.

The slave address of the ICM-30670 is b110100X which is 7 bits long. The LSB bit of the 7-bit address is determined by the logic level on pin AD0. This allows two ICM-30670s to be connected to the same I<sup>2</sup>C bus. When used in this configuration, the address of the one of the devices should be b1101010 (pin AD0 is logic low) and the address of the other should be b1101011 (pin AD0 is logic high).

### 5.3 I<sup>2</sup>C COMMUNICATIONS PROTOCOL

#### START (S) and STOP (P) Conditions

Communication on the I<sup>2</sup>C bus starts when the master puts the START condition (S) on the bus, which is defined as a HIGH-to-LOW transition of the SDA line while SCL line is HIGH (see figure below). The bus is considered to be busy until the master puts a STOP condition (P) on the bus, which is defined as a LOW to HIGH transition on the SDA line while SCL is HIGH (see figure below). Additionally, the bus remains busy if a repeated START (Sr) is generated instead of a STOP condition.



**Figure 8. START and STOP Conditions**

#### Data Format / Acknowledge

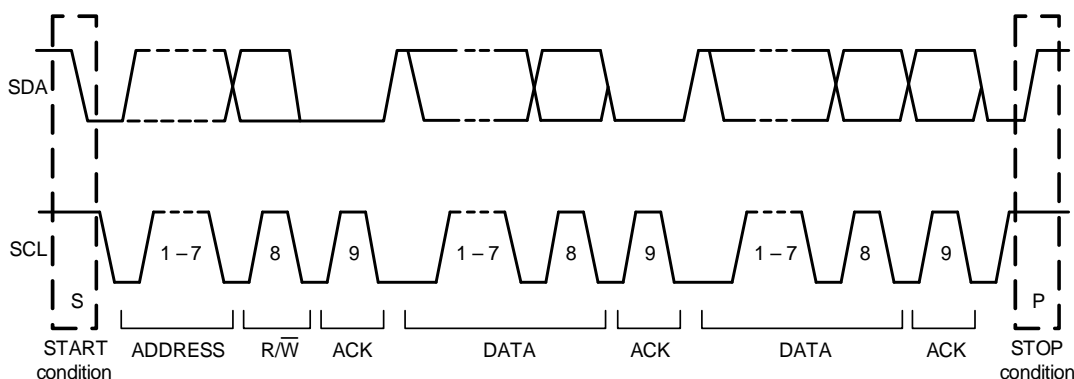
I<sup>2</sup>C data bytes are defined to be 8-bits long. There is no restriction to the number of bytes transmitted per data transfer. Each byte transferred must be followed by an acknowledge (ACK) signal. The clock for the acknowledge signal is generated by the master, while the receiver generates the actual acknowledge signal by pulling down SDA and holding it low during the HIGH portion of the acknowledge clock pulse.

If a slave is busy and cannot transmit or receive another byte of data until some other task has been performed, it can hold SCL LOW, thus forcing the master into a wait state. Normal data transfer resumes when the slave is ready, and releases the clock line (refer to the following figure).

**Figure 9. Acknowledge on the I<sup>2</sup>C Bus**

*Communications*

After beginning communications with the START condition (S), the master sends a 7-bit slave address followed by an 8<sup>th</sup> bit, the read/write bit. The read/write bit indicates whether the master is receiving data from or is writing to the slave device. Then, the master releases the SDA line and waits for the acknowledge signal (ACK) from the slave device. Each byte transferred must be followed by an acknowledge bit. To acknowledge, the slave device pulls the SDA line LOW and keeps it LOW for the high period of the SCL line. Data transmission is always terminated by the master with a STOP condition (P), thus freeing the communications line. However, the master can generate a repeated START condition (Sr), and address another slave without first generating a STOP condition (P). A LOW to HIGH transition on the SDA line while SCL is HIGH defines the stop condition. All SDA changes should take place when SCL is low, with the exception of start and stop conditions.



**Figure 10. Complete I<sup>2</sup>C Data Transfer**

**5.4 I<sup>2</sup>C TERMS**

SIGNAL	DESCRIPTION
S	Start Condition: SDA goes from high to low while SCL is high
AD	Slave I <sup>2</sup> C address
W	Write bit (0)
R	Read bit (1)
ACK	Acknowledge: SDA line is low while the SCL line is high at the 9 <sup>th</sup> clock cycle
NACK	Not-Acknowledge: SDA line stays high at the 9 <sup>th</sup> clock cycle
DATA	Transmit or received data
P	Stop condition: SDA going from low to high while SCL is high

**Table 11. I<sup>2</sup>C Terms**

## 5.5 SPI INTERFACE

SPI is a 4-wire synchronous serial interface that uses two control lines and two data lines. The ICM-30670 always operates as a Slave device during standard Master-Slave SPI operation.

With respect to the Master, the Serial Clock output (SCLK), the Serial Data Output (SDO) and the Serial Data Input (SDI) are shared among the Slave devices. Each SPI slave device requires its own Chip Select (CS) line from the master. CS goes low (active) at the start of transmission and goes back high (inactive) at the end. Only one CS line is active at a time, ensuring that only one slave is selected at any given time. The CS lines of the non-selected slave devices are held high, causing their SDO lines to remain in a high-impedance (high-z) state so that they do not interfere with any active devices.

### SPI Operational Features

1. Data is delivered MSB first and LSB last
2. Data is latched on the rising edge of SCLK
3. Data should be transitioned on the falling edge of SCLK
4. The maximum frequency of SCLK is 8 MHz
5. SPI read and write operations are completed in 16 or more clock cycles (two or more bytes). The first byte contains the SPI Address, and the following byte(s) contain(s) the SPI data. The first bit of the first byte contains the Read/Write bit and indicates the Read (1) or Write (0) operation. The following 7 bits contain the Register Address. In cases of multiple-byte Read/Writes, data is two or more bytes:

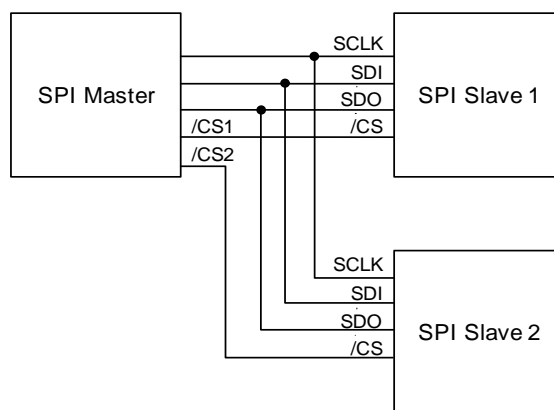
#### SPI Address format

MSB							LSB
R/W	A6	A5	A4	A3	A2	A1	A0

#### SPI Data format

MSB							LSB
D7	D6	D5	D4	D3	D2	D1	D0

6. Supports Single or Burst Read/Writes.



**Figure 11. Typical SPI Master / Slave Configuration**

## 6 SYSTEM DIAGRAM

The ICM-30670 supports I<sup>2</sup>C communications on its primary (microprocessor) serial interface, its auxiliary interface, as well as its OIS controller interface.

The figure below depicts a sample circuit of ICM-30670, with interfaces to the Application Processor (AP), OIS driver, and auxiliary sensors.

Note: Actual configuration will depend on the auxiliary sensors and OIS driver used.

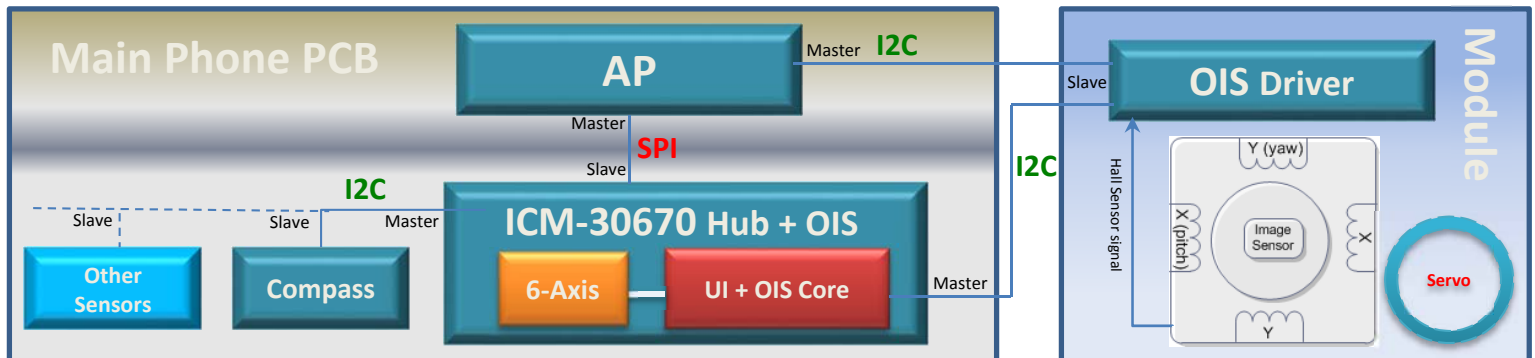


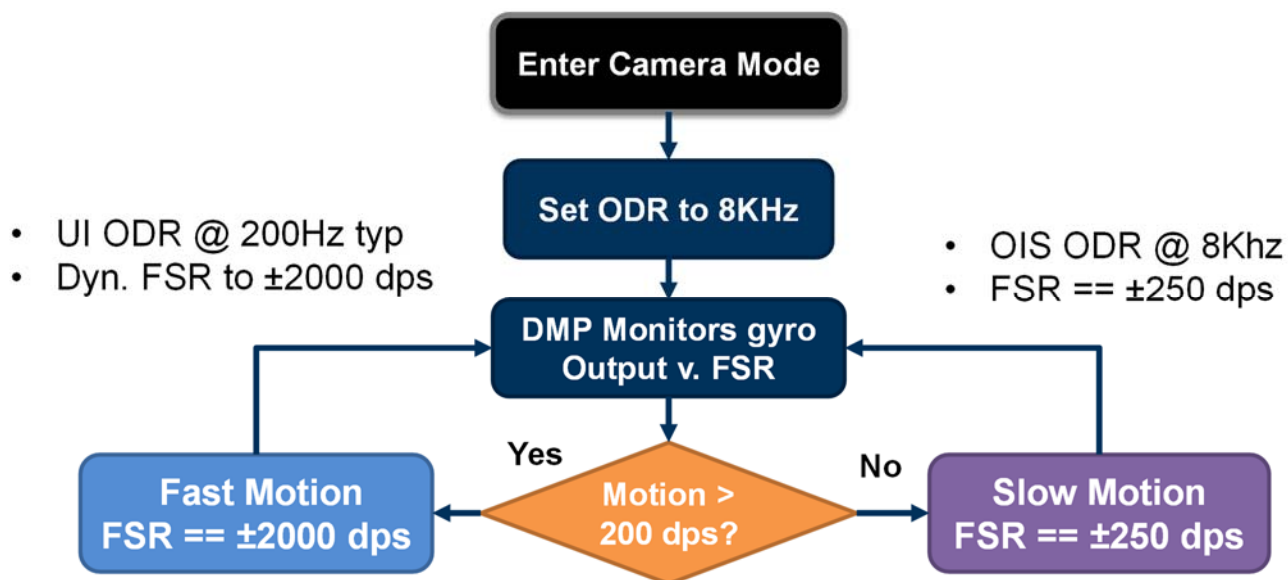
Figure 12. ICM-30670 System Diagram

## 7 USE NOTES

### 7.1 SMART FSR

The ICM-30670 implements Smart FSR switching when in OIS mode. OIS requires high resolution and therefore a low full scale range. In OIS mode, the lowest supported FSR is  $\pm 250$  dps. Data is digitally represented in 16 bits resulting in an 8 mdps per LSB resolution. However, to maintain compatibility with Android CTS (Compatibility Test Suite) requirements the gyroscope must be capable of measuring up to  $\pm 2000$  dps without data corruption. The ICM-30670 implements a mechanism for smart switching between  $\pm 250$  dps FSR and  $\pm 2000$  dps FSR when in OIS mode. If the device is moved faster than  $\pm 200$  dps, the device automatically switches to the higher FSR maintaining CTS compliance. This switch to higher FSR will degrade the OIS performance, however at hand jitter faster than 10 Hz the OIS performance has already degraded past the point of usability therefore the further degradation will not be perceivable to the end user.

The flow chart below shows the Smart FSR procedure:



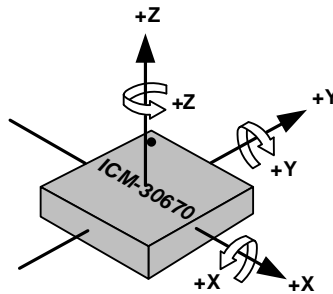
### 7.2 I<sup>2</sup>C PROGRAM LENGTH

I<sup>2</sup>C programs should be restricted to MAX 30 bytes length.



## 8 ORIENTATION OF AXES

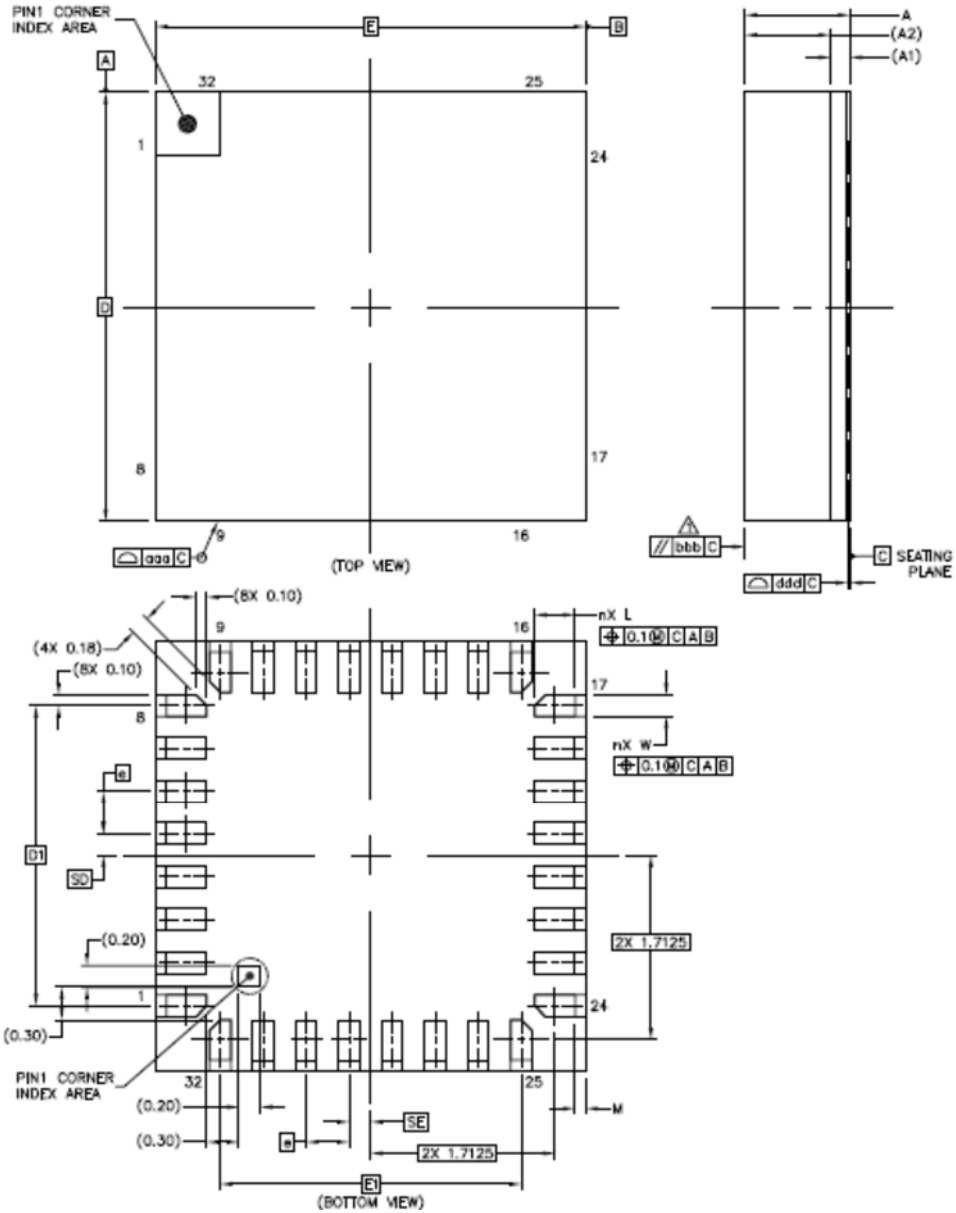
The diagram below shows the orientation of the axes of sensitivity and the polarity of rotation. Note the pin 1 identifier (•) in the figure.



**Figure 13. Orientation of Axes of Sensitivity and Polarity of Rotation**

## 9 PACKAGE DIMENSIONS

This section provides package dimensions for the ICM-30670.

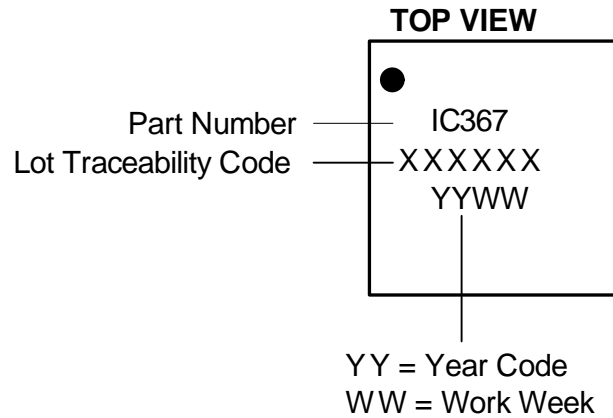


	Symbol	Common Dimensions		
		MIN.	NOM.	MAX.
Total Thickness	A	0.91	0.98	1.05
Substrate Thickness	A1		0.18	REF
Mold Thickness	A2		0.8	REF
Body Size	D		4	BSC
	E		4	BSC
Lead Width	W	0.15	0.2	0.25
Lead Length	L	0.325	0.375	0.425
Lead Pitch	e		0.4	BSC
Lead Count	n	32		
Edge Ball Center to Center	D1		2.8	BSC
	E1		2.8	BSC
Body Center to Contact Ball	SD		0.2	BSC
	SE		0.2	BSC
Ball Width	b	---	---	---
Ball Diameter		---		
Ball Opening		---		
Ball Pitch	e1	---		
Ball Count	n1	---		
Pre-Solder		---	---	---
Package Edge Tolerance	aaa	0.05		
Mold Flatness	bbb	0.2		
Coplanarity	ddd	0.08		
Ball Offset (Package)	eee	---		
Ball Offset (Ball)	fff	---		
Lead Edge to Package Edge	M	0.05	0.1	0.15

## 12 PART NUMBER PART MARKINGS

The part number part markings for ICM-30670 devices are summarized below:

PART NUMBER	PART NUMBER PART MARKING
ICM-30670	IC367



## **14 REFERENCES**

Please refer to “InvenSense MEMS Handling Application Note (AN-IVS-0002A-00)” for the following information:

- Manufacturing Recommendations
  - Assembly Guidelines and Recommendations
  - PCB Design Guidelines and Recommendations
  - MEMS Handling Instructions
  - ESD Considerations
  - Reflow Specification
  - Storage Specifications
  - Package Marking Specification
  - Tape & Reel Specification
  - Reel & Pizza Box Label
  - Packaging
  - Representative Shipping Carton Label
- Compliance
  - Environmental Compliance
  - DRC Compliance
  - Compliance Declaration Disclaimer

**15 REVISION HISTORY**

REVISION DATE	REV NUMBER	DESCRIPTION
06/15/2016	1.0	Initial release

**COMPLIANCE DECLARATION DISCLAIMER**

InvenSense believes the environmental and other compliance information given in this document to be correct but cannot guarantee accuracy or completeness. Conformity documents substantiating the specifications and component characteristics are on file. InvenSense subcontracts manufacturing and the information contained herein is based on data received from vendors and suppliers, which has not been validated by InvenSense.

This information furnished by InvenSense is believed to be accurate and reliable. However, no responsibility is assumed by InvenSense for its use, or for any infringements of patents or other rights of third parties that may result from its use. Specifications are subject to change without notice. InvenSense reserves the right to make changes to this product, including its circuits and software, in order to improve its design and/or performance, without prior notice. InvenSense makes no warranties, neither expressed nor implied, regarding the information and specifications contained in this document. InvenSense assumes no responsibility for any claims or damages arising from information contained in this document, or from the use of products and services detailed therein. This includes, but is not limited to, claims or damages based on the infringement of patents, copyrights, mask work and/or other intellectual property rights.

Certain intellectual property owned by InvenSense and described in this document is patent protected. No license is granted by implication or otherwise under any patent or patent rights of InvenSense. This publication supersedes and replaces all information previously supplied. Trademarks that are registered trademarks are the property of their respective companies. InvenSense sensors should not be used or sold in the development, storage, production or utilization of any conventional or mass-destructive weapons or for any other weapons or life threatening applications, as well as in any other life critical applications such as medical equipment, transportation, aerospace and nuclear instruments, undersea equipment, power plant equipment, disaster prevention and crime prevention equipment.

©2016 InvenSense, Inc. All rights reserved. InvenSense, MotionTracking, MotionProcessing, MotionProcessor, MotionFusion, MotionApps, Digital Motion Processor, AAR, and the InvenSense logo are trademarks of InvenSense, Inc. Other company and product names may be trademarks of the respective companies with which they are associated.



©2016 InvenSense, Inc. All rights reserved.