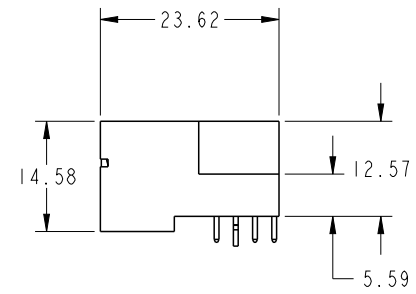
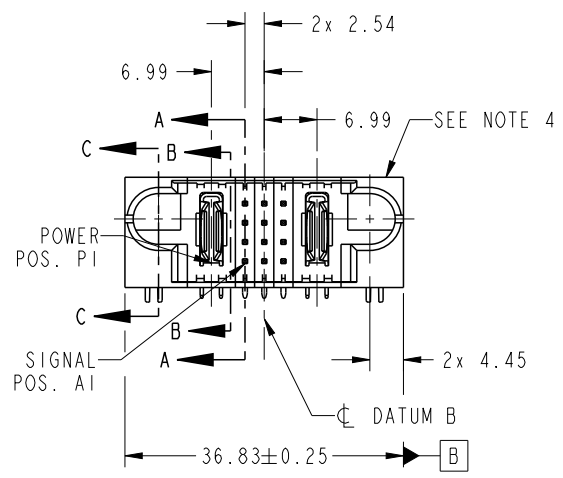


PRODUCT NO.	ROWS	POW		SIG			POW	
		E1	P1	1	2	3	P2	E2
51730-207-- NOTE 3	DCBA							



CODE	DIM "M" MATING LENGTH	CONTACT TYPE
H	[5.59]	SIGNAL
G	[5.59]	SIGNAL
F	[5.59]	SIGNAL
R	[6.86]	SIGNAL
E	[5.59]	SIGNAL
PA	[N/A]	POWER
HA	[N/A]	HOLD-DOWN



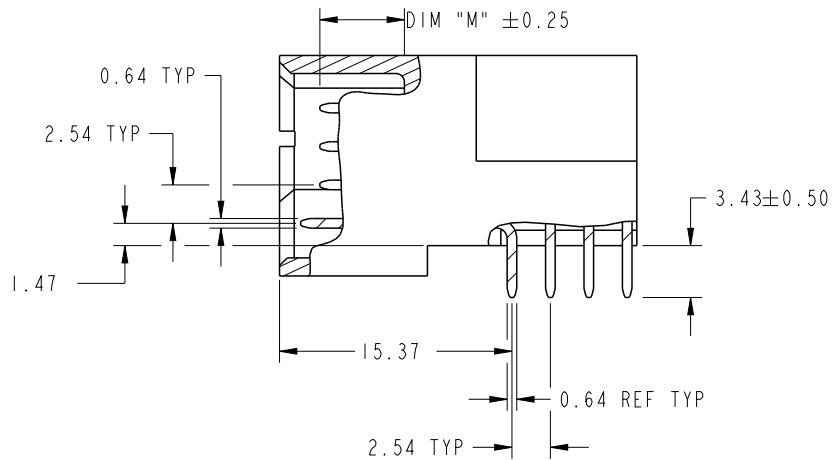
Copyright FCI.

spec ref	*	dr	Luo Weller	2013/05/14	projection	MM	size	A4	scale	1:1
tolerance std	ASME Y14.5	eng	Luo Weller	2013/05/23		←→	ecn no	-	rel level	Released
TOLERANCES UNLESS OTHERWISE SPECIFIED		chr	-	-						
surface	✓	appr	Pei-Ming Zheng	2013/05/23	product family	PwrBlade				
ASME Y14.5	linear	0.X	±0.5		title	IP+12S+IP	dwg no	51730-207	rev	A
		0.XX	±0.25							
		0.XXX	±0.1							
	angular	0°	±2°	www.fci.com	cat. no.	-	Product - Customer Drw	sheet 1 of 4		

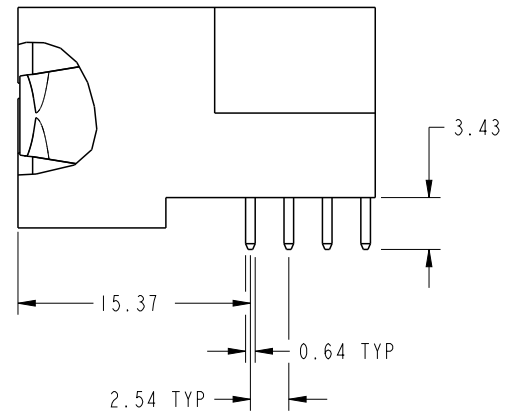
PrdrE File - REV C - 2009-06-09

PRODUCT NUMBER

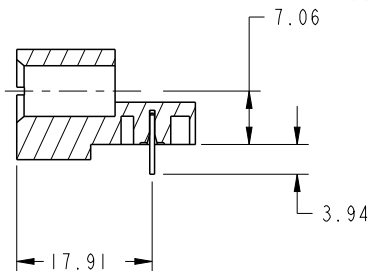
51730-207--  
NOTE: 3



BROKEN-OUT SECTION A-A  
SCALE 2:1



BROKEN-OUT SECTION B-B  
SCALE 2:1

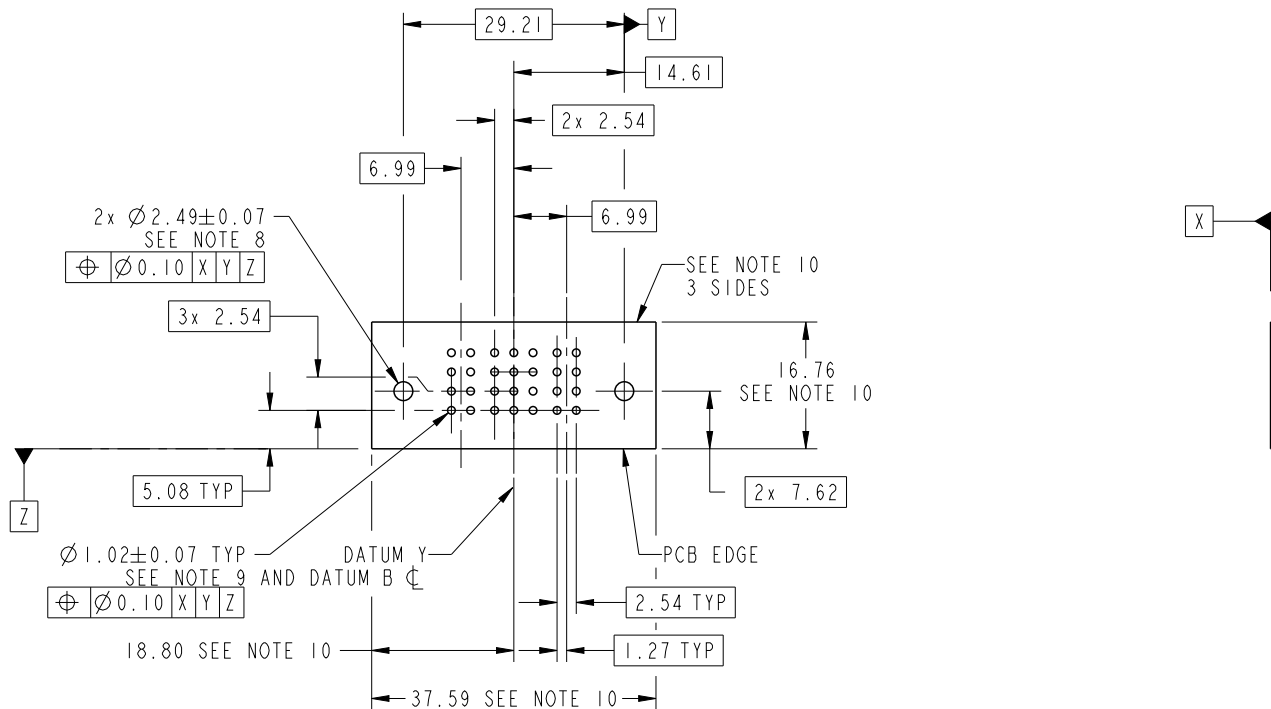


SECTION C-C

dr	Luo Weller	2013/05/14	projection 	MM 	size	A4	scale	1:1
eng	Luo Weller	2013/05/23			ecn no	-		
chr	-	-			rel level	Released		
appr	Pei-Ming Zheng	2013/05/23	product family	PwrBlade	rev	A		
	title	IP+12S+IP		dwg no	51730-207			
www.fci.com	cat. no.	-		Product - Customer Drw	sheet 2 of 4			

PRODUCT NUMBER

51730-207--  
NOTE: 3



RECOMMENDED PCB LAYOUT

dr	Luo Weller	2013/05/14	projection 	MM 	size	A4	scale	1:1
eng	Luo Weller	2013/05/23			ecn no	-		
chr	-	-			rel level	Released		
appr	Pei-Ming Zheng	2013/05/23	product family	PwrBlade	rev	A		
	title	IP+12S+IP RIGHT ANGLE SOLDER HEADER		dwg no	51730-207			
www.fci.com	cat. no.	-	Product - Customer Drw		sheet 3 of 4			

PRODUCT NUMBER

51730-207--  
NOTE: 3

NOTES:

1. DIMENSIONS AND TOLERANCES ARE IN ACCORDANCE WITH ASME Y14.5M, 1994 UNLESS OTHERWISE SPECIFIED.

CONNECTOR NOTES:

- 2. HOUSING MATERIAL: UL 94 V-0 GLASS FILLED HIGH-TEMP THERMOPLASTIC  
POWER CONTACT MATERIAL: COPPER ALLOY  
SIGNAL PIN MATERIAL: COPPER ALLOY
- 3. SEE ITEM 1 & 2 IN PRINT 10064183 FOR PLATING SPEC OF 51730-207 AND 51730-207LF RESPECTIVELY.
- 4. MANUFACTURER'S NAME, DATE CODE AND OPTIONAL P/N TO APPEAR ON THIS SURFACE. THE MARK CAN BE OMITTED IF THERE IS NOT ENOUGH SPACE ON THIS SURFACE.
- 5. PRODUCT SPECIFICATION GS-12-149.  
APPLICATION SPECIFICATION BUS-20-067.
- 6. PACKAGED IN TRAYS.

PCB NOTES:

- 7. ALL HOLE DIAMETERS ARE FINISHED HOLE SIZE.
- 8. MOUNTING HOLES, WHERE APPLICABLE, ARE UNPLATED.
- 9.  $\varnothing 1.151 \pm 0.025$  DRILLED HOLES PLATED WITH  
0.008 MIN SnPb OR Sn OVER 0.03  
TO 0.08 Cu PLATING TO ACHIEVE  
 $\varnothing 1.02 \pm 0.07$  HOLE.
- 10. CONNECTOR KEEP-OUT ZONE.



Copyright FCI.

dr	Luo Weller	2013/05/14	projection 	MM 	size	A4	scale	1:1		
eng	Luo Weller	2013/05/23			ecn no	-				
chr	-	-			product family	PwrBlade	rel level	Released		
appr	Pei-Ming Zheng	2013/05/23			title	IP+12S+IP RIGHT ANGLE SOLDER HEADER	dwg no	51730-207	rev	A
www.fci.com		cat. no.	-	Product - Customer Drw			sheet 4 of 4			