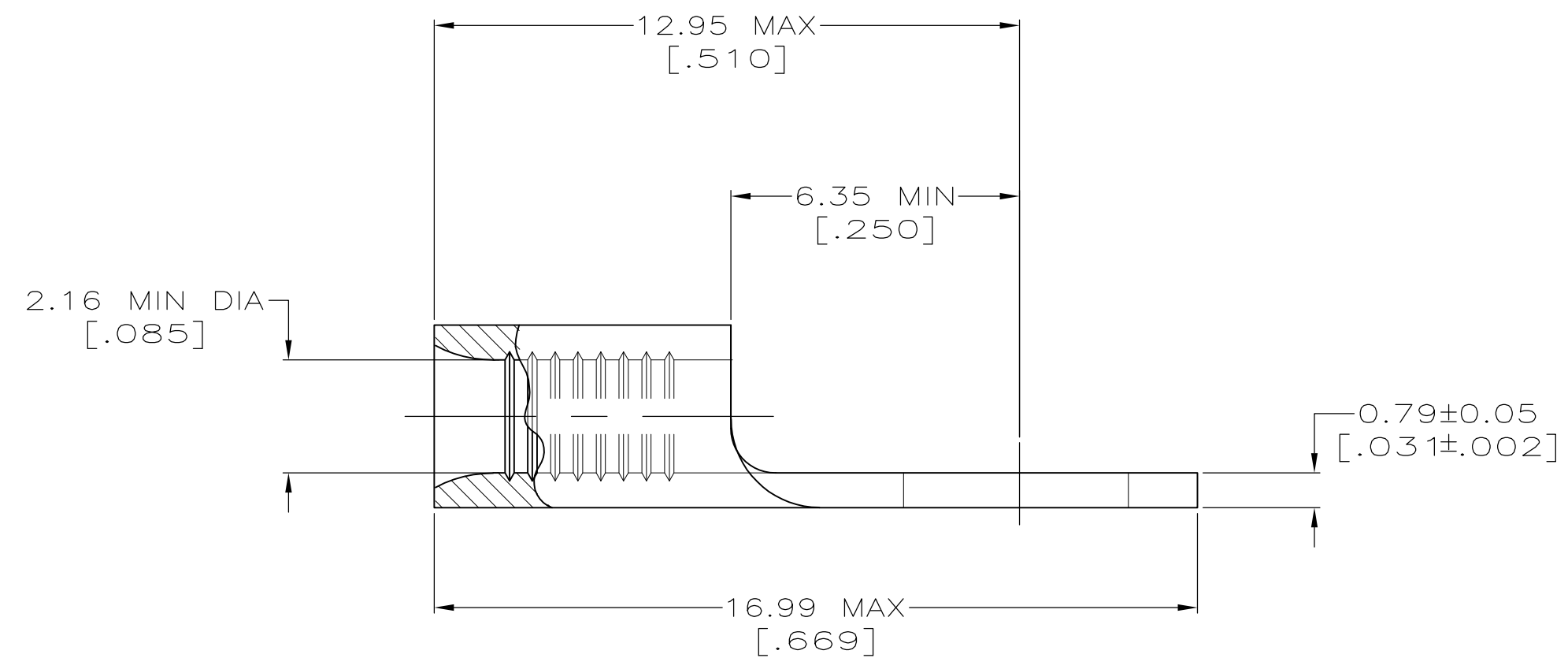
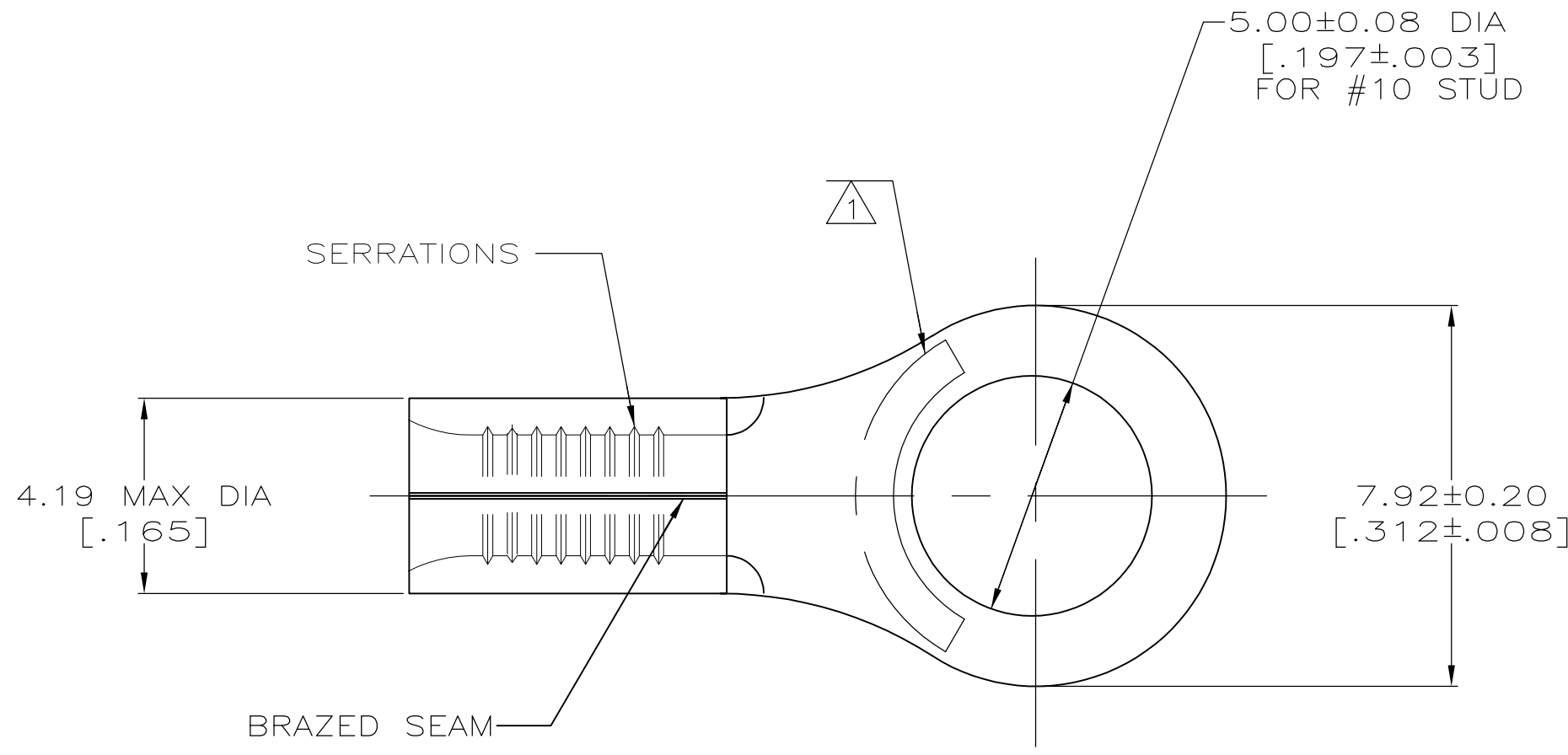


THIS DRAWING IS UNPUBLISHED. RELEASED FOR PUBLICATION
 © COPYRIGHT - By - ALL RIGHTS RESERVED.

LOC	DIST	REVISIONS			SU		
G	14	P	LTR	DESCRIPTION	DATE	OWN	APVD
		C2		REVISED PER ECO-11-004917	11MAR11	RK	HMR



AMP WIRE RANGE	Listed FILE E13288	LR7189 Certified
16-14 AWG SOLID OR STRANDED	16-14 AWG SOLID OR STRANDED	16-14 AWG SOLID OR STRANDED

- 1 STAMP AMP 16-14* APPROX AS SHOWN
- 2 COPPER PER ASTM B-152, ANNEALED
- 3 TIN PLATE 0.00254 [.000100] MIN THK PER ASTM B-545
- 4 MEETS M7928/7-8, CLASS 1 & 2
- 5 MEETS M7928/7-8, CLASS 2
- 6 RECOMMENDED OPERATING TEM IS 170°C MAX
- 7 WIRE CROSS SECTIONAL AREA RANGE IS 1.04-2,62mm² [2,050-5,180] CMA

5000	ON TAPE	5 2-320093-1
----	LOOSE PIECE	4 320093
QUANTITY	PACKAGING TYPE	PART NO.

THIS DRAWING IS A CONTROLLED DOCUMENT.		DWN TA BRINKMAN 3-17-93	TE Connectivity	
		CHK DA PATTERSON 3-17-93		
DIMENSIONS: mm[INCHES]		APVD JL MECKLEY 3-17-93	NAME TERMINAL, RING TONGUE, SOLISTRAND	
TOLERANCES UNLESS OTHERWISE SPECIFIED:		PRODUCT SPEC	SIZE	
0 PLC ± -		APPLICATION SPEC	CAGE CODE	
1 PLC ± -			DRAWING NO	
2 PLC ± -			RESTRICTED TO	
3 PLC ± -			A2 00779 G-320093	
4 PLC ± -			SCALE 8:1 SHEET 1 OF 1 REV C2	
ANGLES ± ± -				
FINISH		WEIGHT		
2				
3				
CUSTOMER DRAWING				

320093