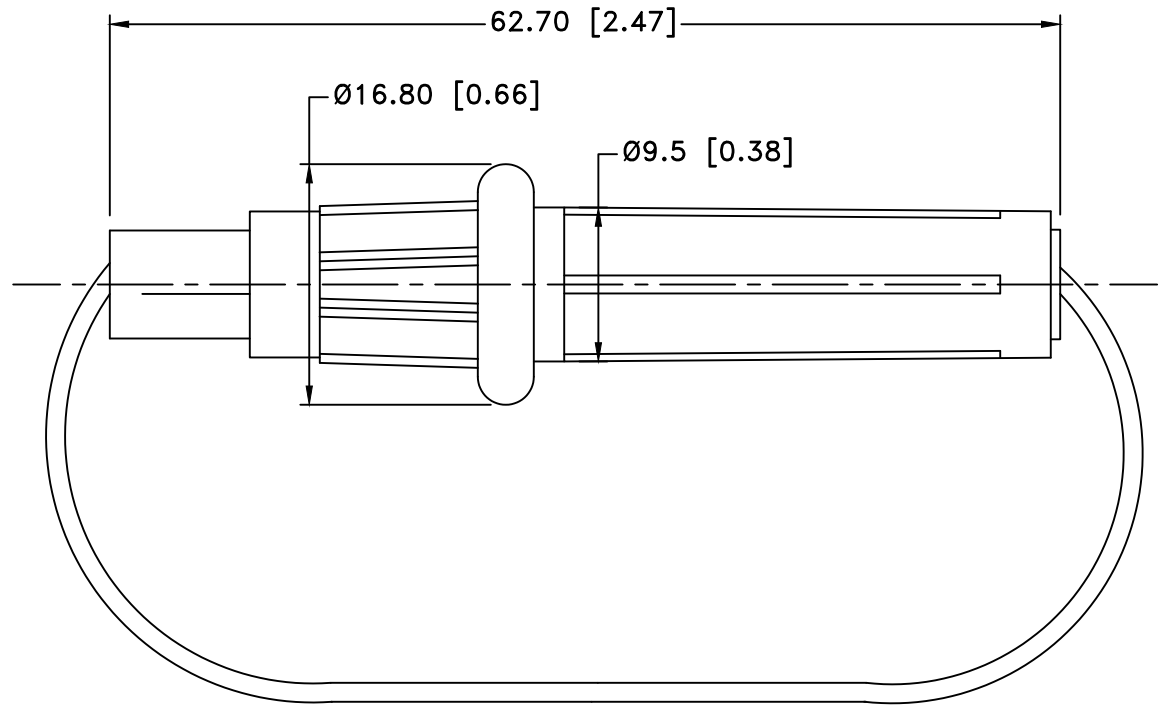
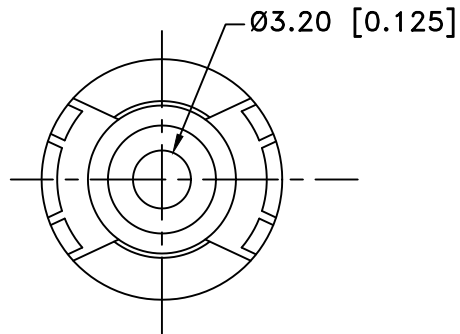



Date	SYM	REVISION RECORD	AUTH	DR.	CK.
12/01/17	A	UPDATED SPECIFICATION	T.B.	B.S.	



NOTES:

- MATERIAL:  
HOUSING : NYLON 6, UL 94-HB, UL FILE NO. E36632
- LEAD WIRE IN LOOP: RED WIRE, 14 AWG, UL-1015, 600V, 105°C, FLAME RATING VW-1, UL FILE NO. E77961, OR ENGINEERING APPROVED EQUIVALENT
- RATED CURRENT: 30A
- ACCEPTS AGC/JMC FUSES
- INSULATION RESISTANCE AT 500V DC: 100MΩ MIN
- CONTACT RESISTANCE: 5mΩ AT 1A DC
- DIELECTRIC STRENGTH FOR 60 SECONDS: AC 1500V MIN  
ROHS 2 COMPLIANT

Tolerance (Except as noted)	 <b>Memory Protection Devices, Inc</b> 200 Broad Hollow Road, Farmingdale, New York 11735		
	decimal ±.5 (.020)	Scale	Drawn By B.S. Approved By T.B.
Fractional ± .8 (.030)	Title INLINE FUSE HOLDER		
Angular ± 3°	Date 12/01/17	Drawing Number BF309	