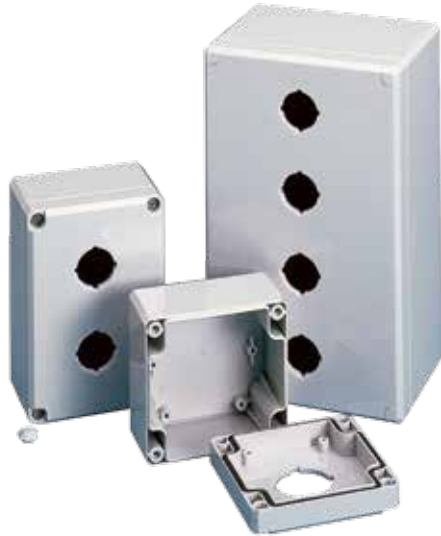


## QLINE D PUSHBUTTON, TYPE 4X



### INDUSTRY STANDARDS

UL 508A Listed; Type 4, 4X, 12, 13; No. E61997  
 cUL Listed per CSA C22.2 No 94; Type 4, 4X, 12, 13; No. E61997  
 Enclosure flammability evaluated per UL 508A

NEMA/EEMAC Type 4, 4X, 12  
 CSA File Number 42186: Type 4, 4X, 12  
 IEC 60529, IP67

### APPLICATION

Used for insulating and housing 30.5-mm or 22.5-mm pushbuttons in hostile environments, QLINE D Enclosures have contoured bodies with flush cover screws for an attractive, contemporary appearance.

### SPECIFICATIONS

- High-impact polycarbonate material is used for both body and cover
- Polycarbonate material is easily punched, drilled, filed or sawed
- Straight side walls permit ganging of multiple enclosures
- Cross-point captivated cover screws are stainless steel
- Mounting holes molded directly adjacent to cover screws
- Cover screws protected by removable caps that are both aesthetic and provide tamper resistance
- Molded internal pads for mounting optional panels, rails or other components
- Seamless foam-in-place gasket assures water-tight and dust-tight seal
- Screws provided for mounting optional panel
- Mounting hardware furnished
- Material is halogen free

### FINISH

Polycarbonate enclosure material is RAL 7035 light-gray inside and out. Optional panels are unpainted plated steel.

### ACCESSORIES

- See also Accessories.
- Hardware Kit
- Hinge Kit
- Mounting Bracket Kit

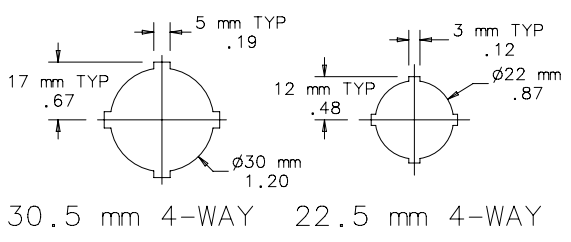
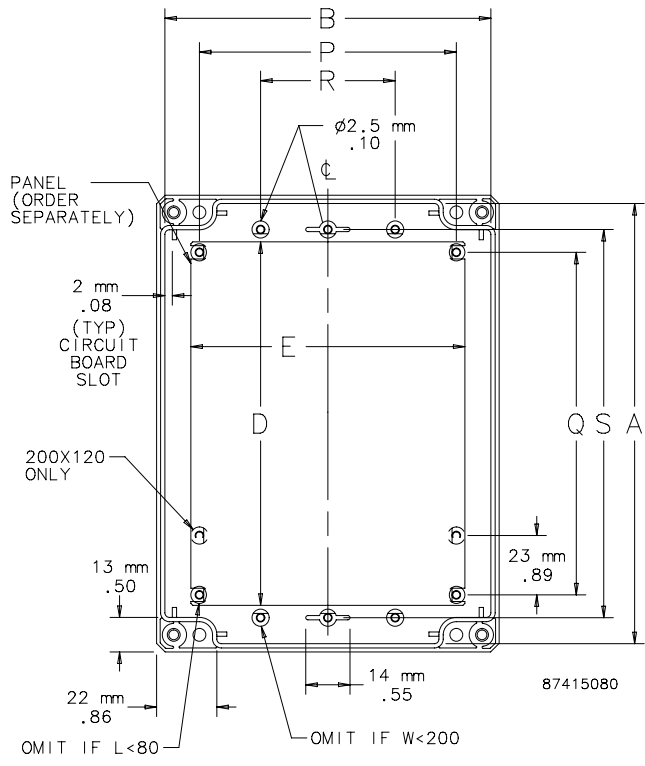
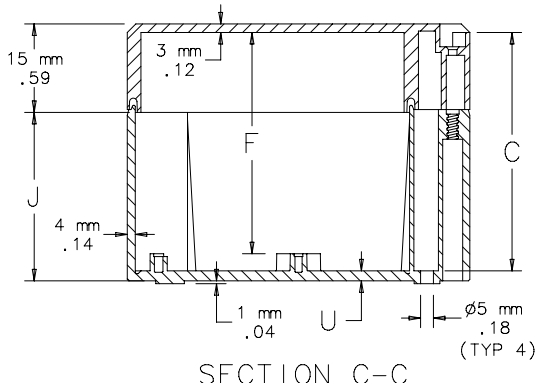
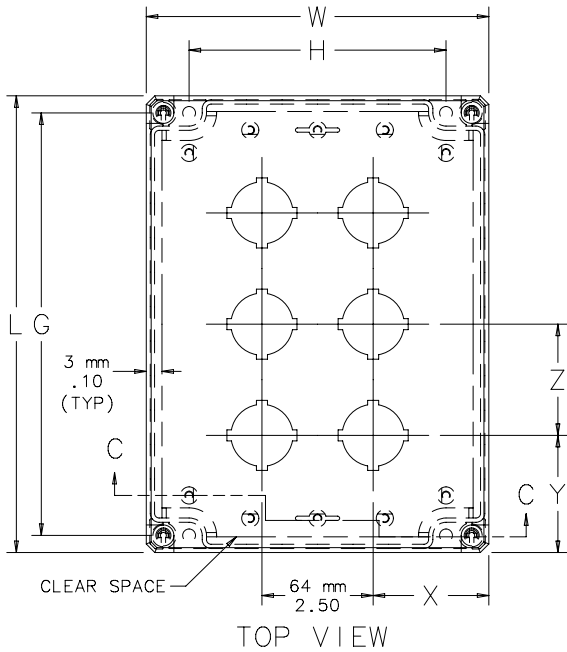
### BULLETIN: Q41

### Standard Product

Catalog Number	Ax B x C mm/in.	Hole Size mm	External Dimensions		Panel	Panel Size D x E mm/in.	Mounting G x H mm/in.	F mm/in.	J mm/in.	P mm/in.	Q mm/in.	R mm/in.	S mm/in.	U mm/in.	X mm/in.	Y mm/in.	Z mm/in.
			L x W mm/in.	mm/in.													
Q1PBPCD	75 x 73 x 79	30.5	82 x 80	Q88PD	68 x 55	70 x 50	72	70	58	44	—	58	3	40	41	—	—
	2.95 x 2.87 x 3.11		3.23 x 3.15	2.68 x 2.17	2.76 x 1.97	2.83	2.76	2.28	1.73	—	2.28	0.12	1.57	1.61	—	—	
Q1PBPCDM	75 x 73 x 79	22.5	82 x 80	Q88PD	68 x 55	70 x 50	72	70	58	44	—	58	3	40	41	—	—
	2.95 x 2.87 x 3.11		3.23 x 3.15	2.68 x 2.17	2.76 x 1.97	2.83	2.76	2.28	1.73	—	2.28	0.12	1.57	1.61	—	—	
Q2PBPCD	153 x 73 x 79	30.5	160 x 80	Q128PD	131 x 65	148 x 50	72	70	58	82	—	136	3	40	36	48	—
	6.02 x 2.87 x 3.11		6.29 x 3.15	5.15 x 2.56	5.83 x 1.97	2.83	2.76	2.28	3.22	—	3.78	0.12	1.57	1.42	1.89	—	
Q2PBPCDM	153 x 73 x 79	22.5	160 x 80	Q128PD	131 x 65	148 x 50	72	70	58	82	—	136	3	40	36	48	—
	6.02 x 2.87 x 3.11		6.29 x 3.15	5.15 x 2.56	5.83 x 1.97	2.83	2.76	2.28	3.22	—	3.78	0.12	1.57	1.42	1.89	—	
Q3PBPCD	193 x 113 x 79	30.5	200 x 120	Q168PD	170 x 100	188 x 90	72	70	90	160	—	136	3	60	52	48	—
	7.60 x 4.45 x 3.11		7.87 x 4.72	6.69 x 3.94	7.40 x 3.54	2.83	2.76	3.54	6.30	—	5.35	0.12	2.36	2.05	1.89	—	
Q3PBPCDM	193 x 113 x 79	22.5	200 x 120	Q168PD	170 x 100	188 x 90	72	70	90	160	—	136	3	60	52	48	—
	7.60 x 4.45 x 3.11		7.87 x 4.72	6.69 x 3.94	7.40 x 3.54	2.83	2.76	3.54	6.30	—	5.35	0.12	2.36	2.05	1.89	—	
Q4PBPCD	193 x 113 x 79	30.5	200 x 120	Q2012PD	170 x 100	188 x 90	72	70	90	160	40	176	3	60	28	48	—
	7.60 x 4.45 x 3.11		7.87 x 4.72	6.69 x 3.94	7.40 x 3.54	2.83	2.76	3.54	6.30	1.57	6.93	0.12	2.36	1.10	1.89	—	
Q4PBPCDM	193 x 113 x 79	22.5	200 x 120	Q2012PD	170 x 100	188 x 90	72	70	90	160	40	176	3	60	28	48	—
	7.60 x 4.45 x 3.11		7.87 x 4.72	6.69 x 3.94	7.40 x 3.54	2.83	2.76	3.54	6.30	1.57	6.93	0.12	2.36	1.10	1.89	—	
Q6PBPCD	233 x 153 x 84	30.5	240 x 160	Q2416PD	211 x 148	228 x 130	78	75	138	202	75	215	4	48	56	64	—
	9.17 x 6.02 x 3.29		9.45 x 6.30	8.31 x 5.83	8.98 x 5.12	3.07	2.95	5.43	7.95	2.95	8.46	0.16	1.89	2.20	2.52	—	

A x B x C are internal dimensions.

Purchase panels separately.



QLINE D Polycarbonate Type 4X Pushbutton Hole Arrangement Drawing

