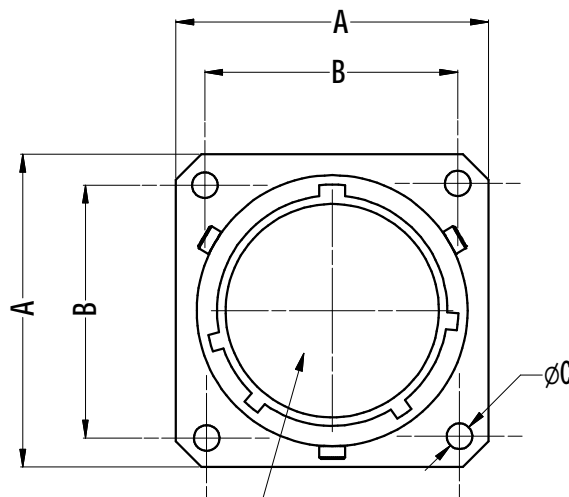
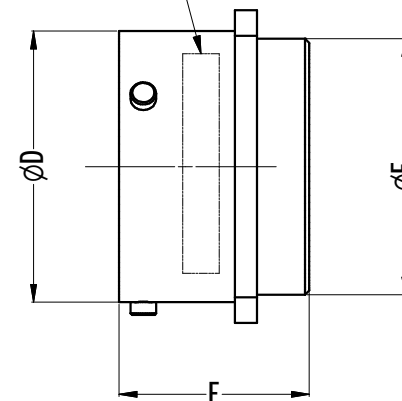


ISOMETRIC VIEW



CONTACTS NOT SHOWN
FOR No OF CONTACTS REFER TO TABLE

Amphenol Logo & PART No.



Parts List, Dimensions in mm

ITEM	CATALOGUE P/No	No. OF CONTACT	A	B	DIA C	DIA D	E	DIA F
1	MP-6212-39S	39	36.6	29.4	3.05	31.8	22.8	30.0
2	MP-6212-61S	61	43.0	35.0	3.74	38.1	22.8	36.4

NOTES:

1. MATERIAL AND FINISH: DIE CAST ALUMINUM ALLOY, BLACK FINISH
2. SUPPLIED WITH GOLD PLATED SOLDER SOCKET CONTACTS

CUSTOMER DRAWING

3	CHANGE FINISH TO BLACK COATING	T.N	17/02/06	8478
2	SEE CHANGE NOTE 8422	T.N	09/09/05	8422
1	CHANGE FINISH FROM PLATING TO COATING	L.V	16/04/2004	8277
0	FIRST ISSUE	T.N	6/02/2004	---
REV.	CHANGE DETAILS	BY	DATE	CHG/No

UNLESS OTHERWISE SPECIFIED TOLERANCE TO BE		THIS DOCUMENT IS THE PROPERTY OF AMPHENOL AUSTRALIA PTY. LTD.. NO PART THEREOF MAY BE REPRODUCED AND USED WITHOUT THE PRIOR WRITTEN CONSENT OF THE OWNER				TITLE:		Amphenol
LINEAR		ANGULAR		CAD FILE: 55010272000213	DRN: T.N	DATE: 6/02/2004	PANEL RECP PLUG WITH SOCKET SOLDER CONTACTS	
X ± N/A	X' ± 1			MATL: SEE NOTE 1	CKD: P.M	DATE: 20/02/06		Amphenol Australia Pty.Ltd, 2 Fireways Blvd, Keysborough, Vic3172
XX ± N/A	X'X' ± 30'			FINISH: SEE NOTE 1	APP'D: P.M	DATE: 20/02/06	DRAWING NO.	
XXX ± N/A	X'X'X' ± 15'			DIMENSIONS IN MILLIMETRES	THIRD ANGLE PROJECTION	SCALE:	PART No: SEE TABLE	
BREAK ALL SHARP EDGES AND REMOVE ALL BURRS		DO NOT SCALE		SCALE: SEE TABLE		PART No: SEE TABLE		SIZE: A4
						55010272-000-2		SHEET 2/2