
Getting Started with the ATR2820 RF Demo Board plus USB RF Interface Board

1. Required Items

- ATR2820 RF Demo Board
- USB RF Interface Board
- PC with USB Port Cables and ATR2820 Software Installed Power Supply (9V/500 mA)
- Spectrum Analyzer (up to 6 GHz)
- Signal Generator (up to 6 GHz)
- Oscilloscope (100 MHz Bandwidth Recommended)

2. Set-up

- Step 1: Install the USB driver software to operate the USB RF interface board on your USB port. This is described in detail in Appendix B (Driver Installation).
- Step 2: Install the ATR2820 control software by starting 'setup.exe' from the CD-ROM. This is described in detail in Appendix C (Software Installation).
- Step 3: Connect the USB RF interface board with the RF demo board to a DC power supply ($V_{CC} = 9V/500\text{ mA}$) and the USB port.
- Step 4: Adjust the jumper setting of the USB RF interface board for TX or RX mode testing according to the manual. Default is TX jumper setting.
- Step 5: Connect a spectrum analyzer to the TX output of the RF demo board.
- Step 6: Start the ATR2820 control software and press the 'Send Data' button. Default program set-up is TX mode.
- Step 7: Measure the TX carrier.



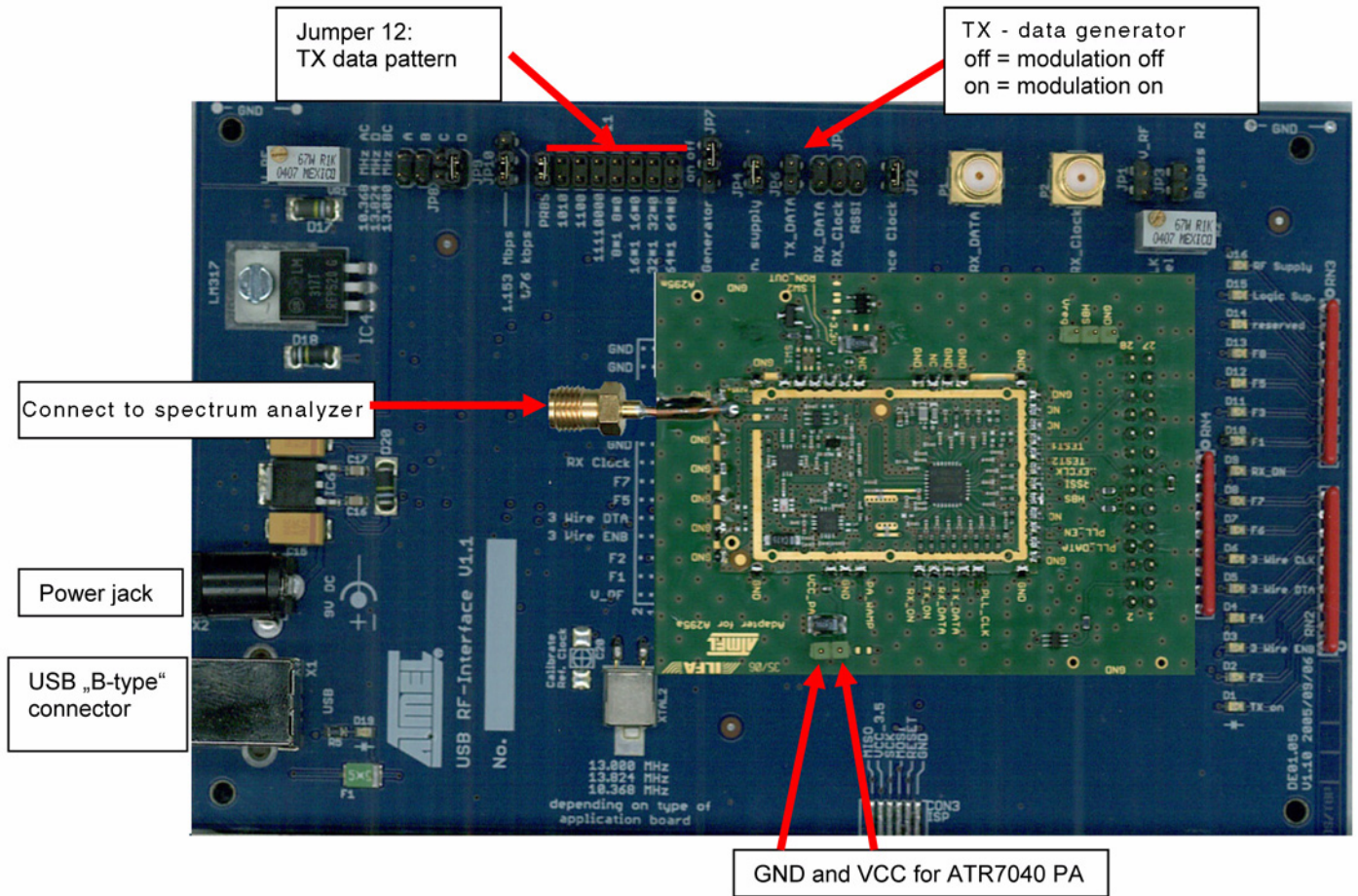
**Evaluation
Board for
ATR2820**

Application Note



3. TX Mode - USB RF Interface Board Jumper Setting

Figure 3-1. TX Mode - USB RF Interface Board Jumper Setting



Using jumper 12 enables to select several TX data pattern '1-0' sequences and a PRBS pattern.

Since the ATR2820 is in closed loop mode, low frequency '1-0' patterns will be canceled by the PLL. These patterns are no problem for the open loop mode, which is used during normal burst mode operation.

4. RX Mode - USB RF Interface Board Jumper Setting

Figure 4-1. RX Mode - USB RF Interface Board Jumper Setting

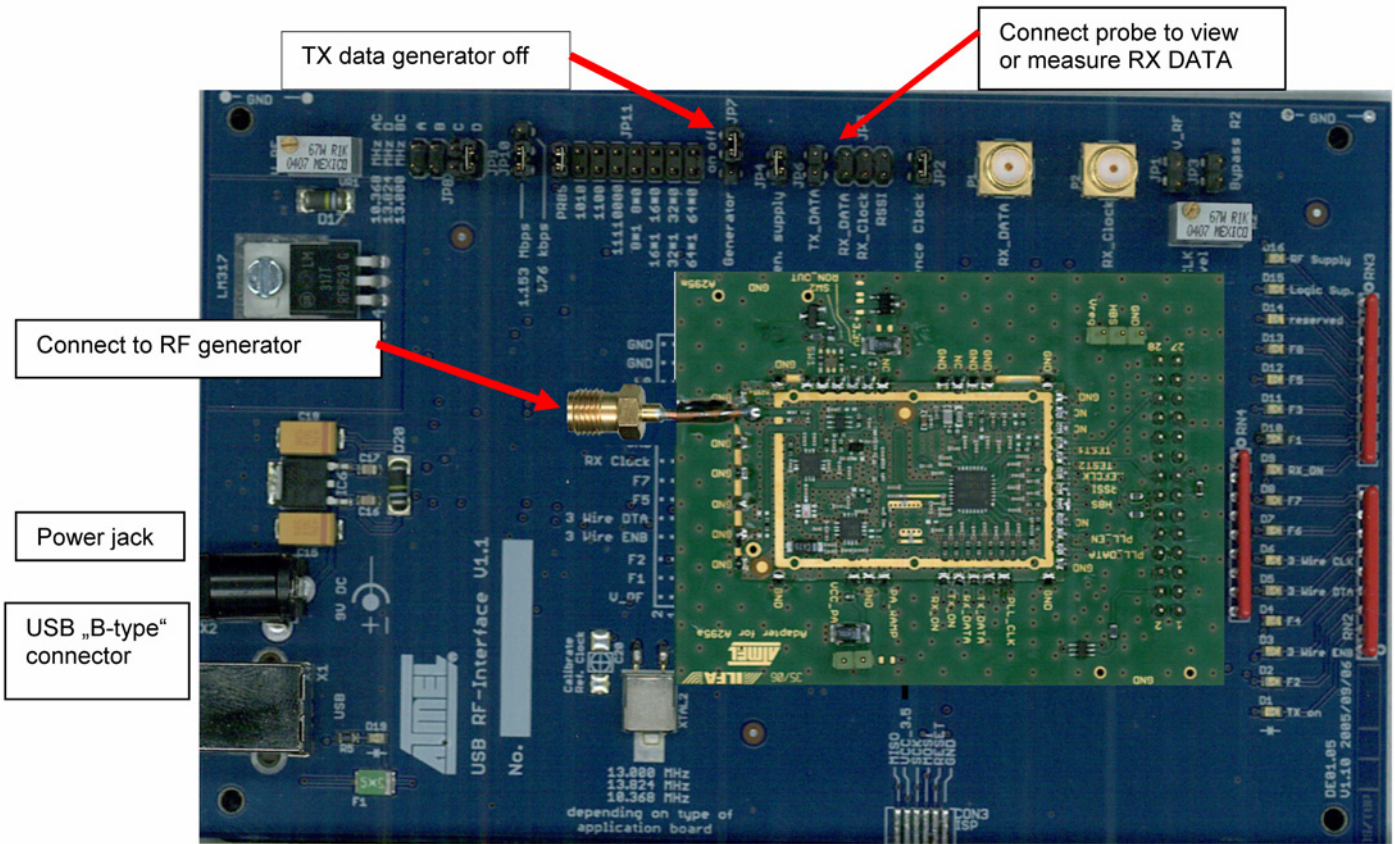
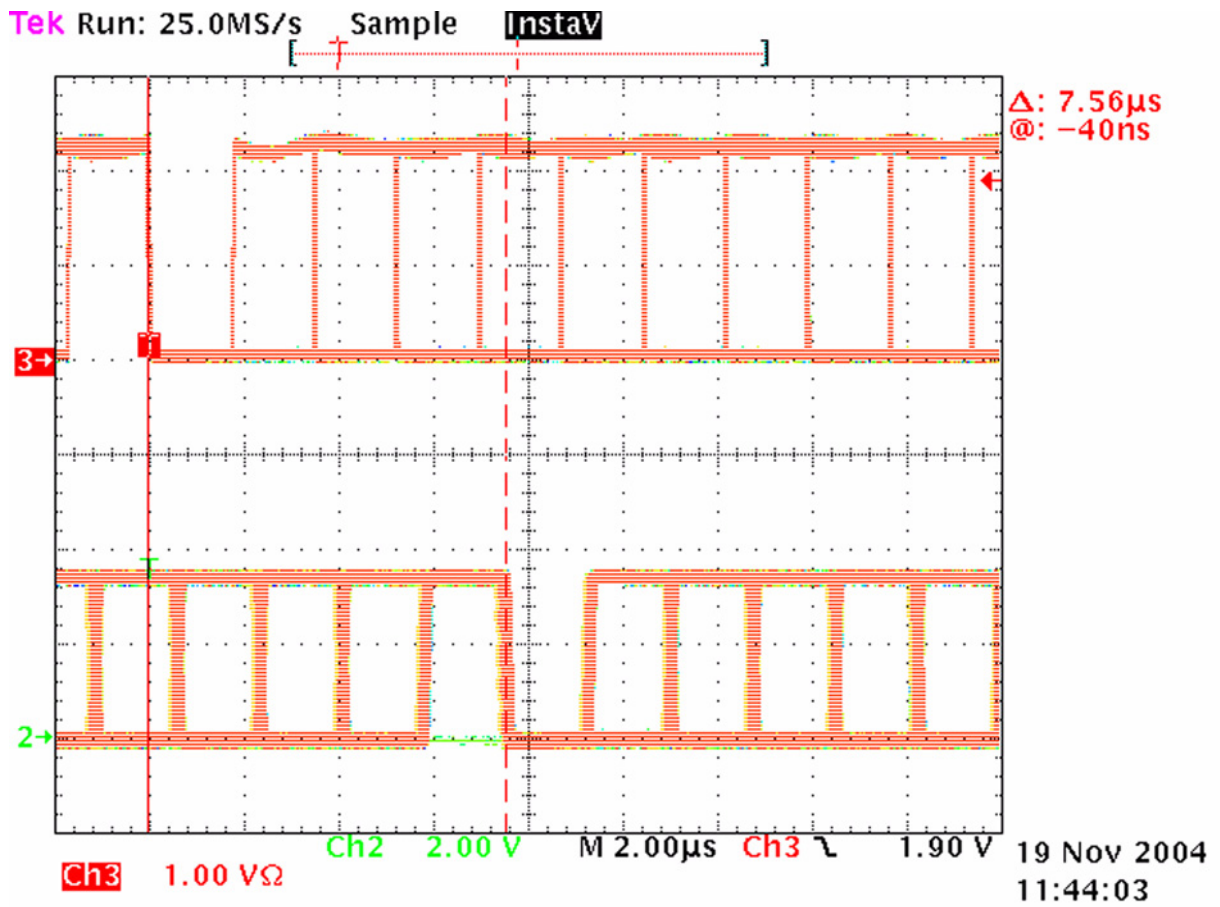


Figure 4-2. Example of RX Data Output Signal with PRBS Modulation



5. Appendix A: Interface Board Functions

The interface board includes the following functionality:

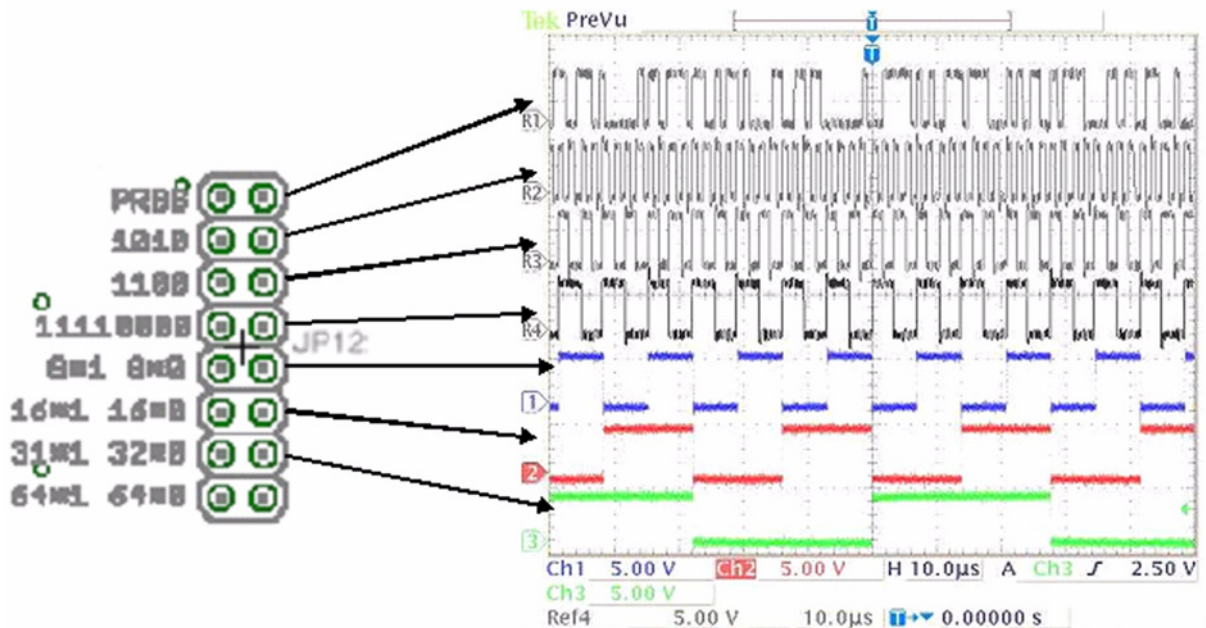
- 5V fixed voltage regulator
- 3.2V variable voltage regulator as transceiver supply voltage
- Reference clock generator and pseudo random TX data generator
- Crystal-stabilized reference clock generator (13.824 MHz) used as reference clock for the transceiver and the pattern generator
- 3-wire bus interface, power and mode control for the transceiver via USB port
- 11 bit pseudo random pattern generator and bit sequence generator for TX data

Default jumper settings are “Reference Clock”, “PRBS Gen. on”, “V_RF”, and “PRBS”, “PRBS Gen. Supply”.

Functionality of the jumpers on the interface board:

“1.152 MB/s - 576 kB/s”	Select TX data rate
“PRBS”	Pseudo random pattern for feeding TX data
“1010”	Bit patterns sequence for feeding TX data
“1100”	
“11110000”	
“8x1, 8x0”	
“16x1, 16x0”	
“32x1, 32x0”	
“64x1, 64x0”	

Figure 5-1. Data Generator Output



5.1 Functionality of the Jumpers on the Interface Board (cont'd):

“V_RF”	Supplies the power to the T280X demo board (the regulated output voltage and current can be measured at the jumper. The voltage is normally at 3.6V and can be adjusted with the variable resistor R25.)
“RXData”	Monitoring pin for RX data of the transceiver
“RSSI”	Monitoring pin for RSSI of the transceiver
“TXData”	Monitoring pin for TX data pattern of the transceiver
“PRBS Gen. Off”	If the jumper is removed the data generator is disabled. No data will be sent to the transceiver.
“Ref CLK”	Supplies the 13.824 MHz reference clock to the demo board pin 25

5.2 Connectors

JP1	Supply voltage for RF module. The pin close to the outer PCB edge is connected to pins 1 and 2 of CON1, the other pin is connected to with the regulated voltage of the PCB (LM317)
JP2	Not used
JP3	Reference clock feed to CON1. This jumper must be set to have the reference clock on CON1. [Rectangular Signal 0V to V_RF]
JP4	Short potentiometer R4 (RF_CLK_Level)
JP5	PRBS generator supply. Jumper must be set, otherwise, the generator does not work
JP6	Measurement points for RX Data, RX Clock and RSSI. The pin close to the outer PCB edge is connected to the signal, the others to GND.
JP7	Measurement point for TX Data. The pin close to the outer PCB edge is connected to the signal, the other to GND.
JP8	Jumper for switching on/off the PRBS generator
JP9, JP10	Reference crystal selection
JP11	Select data rate (1.152 Mbps / 576 kbps)
JP12	Output of the data generator. One jumper selects the data sent to CON1. The pins close to the outer PCB edge are connected and fed to CON1.

5.3 Reference Clock Generation

The output of the reference oscillator produces a rectangular signal with a level between 0V and V_RF. The signal level can be adjusted with a potentiometer R4 (10 kΩ). As an alternative the potentiometer can be shorted with JP4.

6. Appendix B: USB Driver Installation

6.1 Hardware Installation:

Your computer must be running Microsoft® Windows® 98, Windows ME, Windows 2000 or Windows XP.

6.1.1 Installation Steps under Windows 98

Your computer must be switched on and running Microsoft® Windows.

Connect the **AVR309:USB to UART** device to the USB port on your computer.

A window indicating “New hardware found” appears (with “AVR309:USB to UART ...” name).

Next, a new window stating “Add New Hardware Wizard” opens up. Click “Next”.

Figure 6-1. Window “Add New Hardware Wizard”



Choose “Search for the best driver for your device (Recommended)” and click “Next”.

Figure 6-2. Window “Add New Hardware Wizard” 2



Check “Specify location” and “browse” to the folder where the driver files are stored (CD or download folder). Then click “Next”.

Figure 6-3. Window “Add New Hardware Wizard” 3



In the next window (*AVR309:USB to UART protocol converter ...*) click “Next”.

Figure 6-4. Window “Add New Hardware Wizard” 4



Windows will then install the necessary driver files and will perform system changes. Rebuilding of Windows driver database may happen.

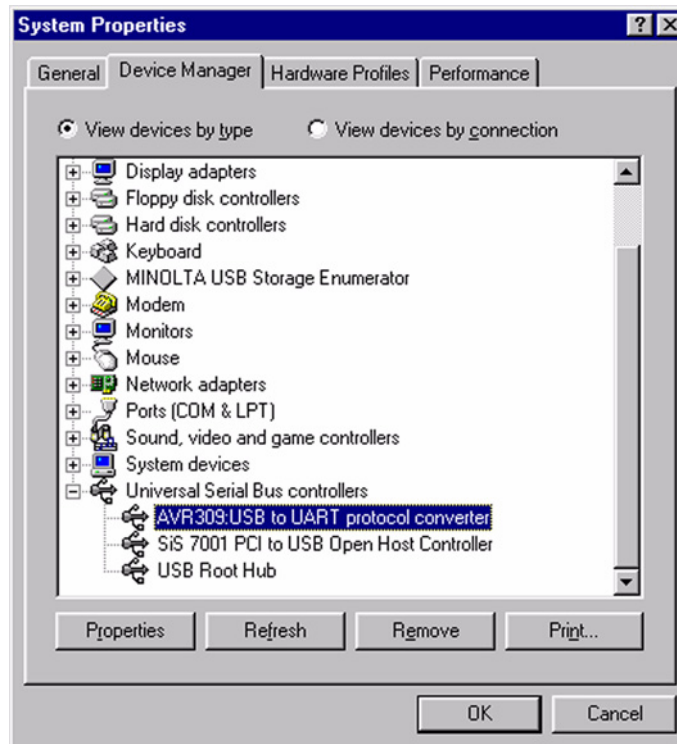
The installation is now complete. Click *“Finish”* in the last window.

Figure 6-5. Window “Add New Hardware Wizard” 5



Verify the device **“AVR309:USB to UART protocol converter ...”** is present in **“Start - Settings -Control Panel - System - Device Manager - Universal Serial Bus controllers”**.

Figure 6-6. Window “System Properties”



The device has been successfully installed.

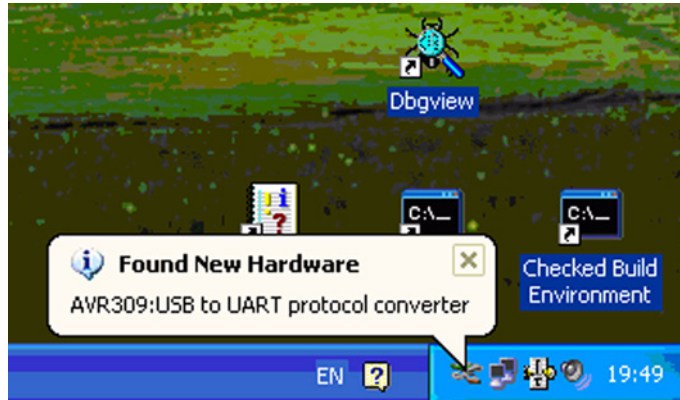
6.1.2 Installation Steps under Windows XP

Your computer must be switched on and running Microsoft® Windows.

Connect the **AVR309:USB to UART ...** device to the USB port on your computer and wait.

“Found new hardware” window appears (with **“AVR309:USB to UART ...”** name).

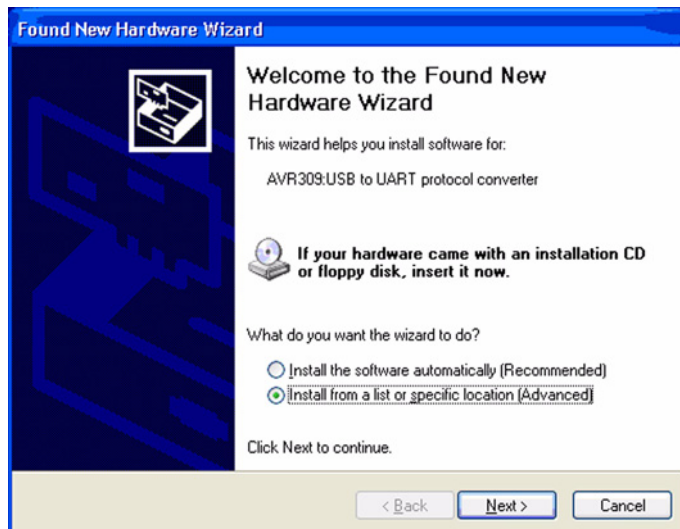
Figure 6-7. Window “Found New Hardware”



A window indicating *“Found New Hardware Wizard”* opens up.

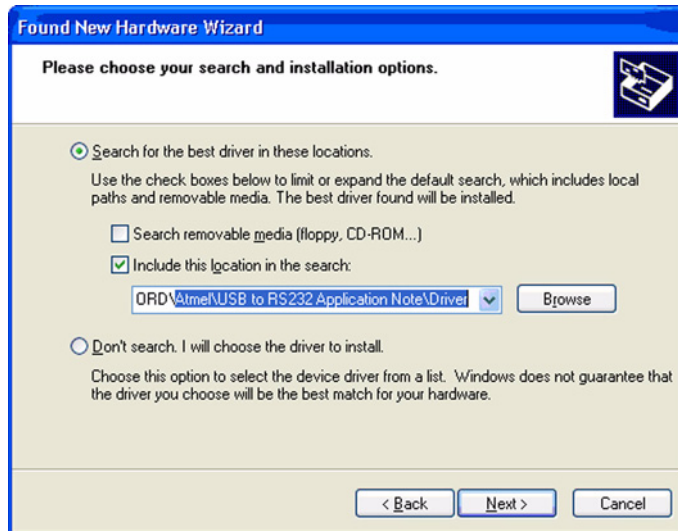
Choose *“Install from a list or specify location (Advanced)”* and click *“Next”*.

Figure 6-8. Window “Found New Hardware Wizard”



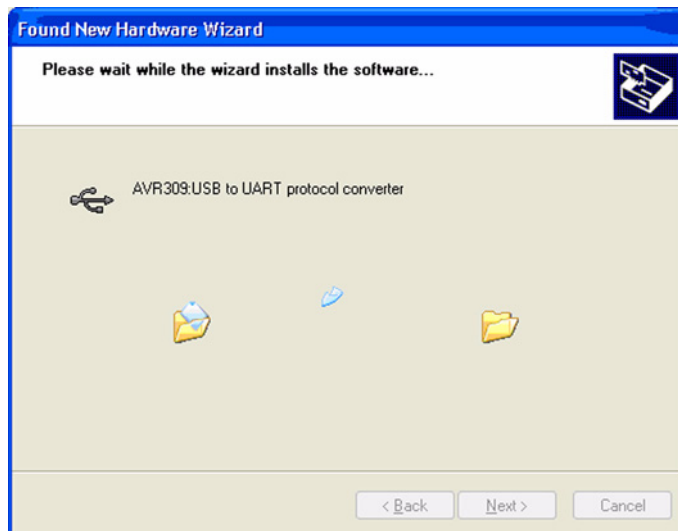
Check “Include this location in the search” and “browse” to the folder where the driver files are stored (CD or download folder). Then click “Next”.

Figure 6-9. Window “Please choose your search and installation options.”



A new window indicating *AVR309:USB to UART protocol converter ...*) appears.

Figure 6-10. Window “AVR309:USB to UART protocol converter”



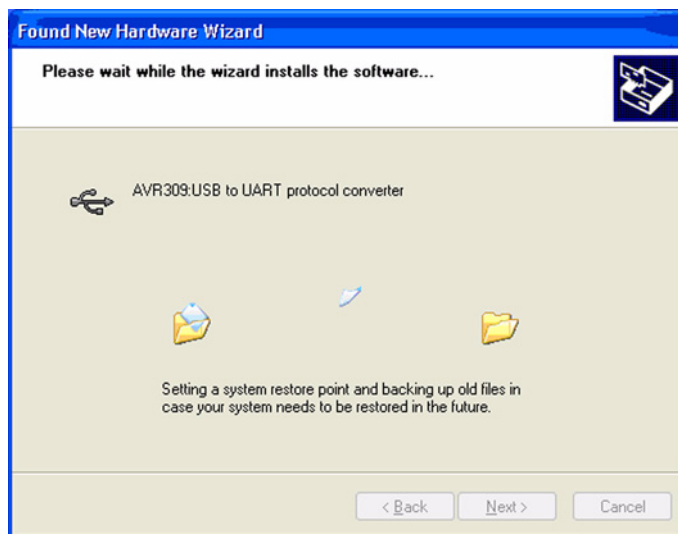
If a window with the warning message “*Hardware Installation*” appears, choose “*Continue Anyway*”.

Figure 6-11. Window “Hardware Installation”



Windows will then install the necessary driver files and performs system changes.

Figure 6-12. Window “Please wait while the wizard installs the software”



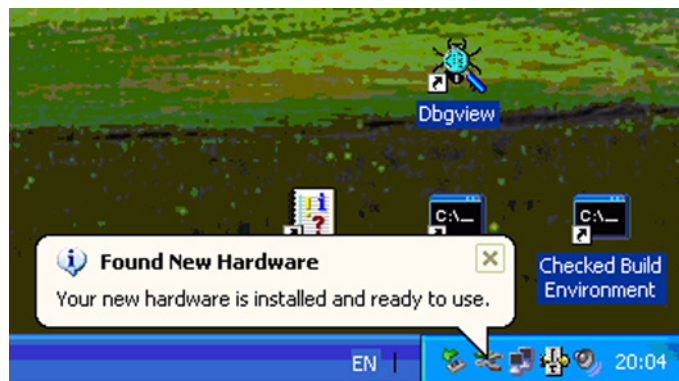
The installation is now complete. Click *Finish*.

Figure 6-13. Window “Completing the Found New Hardware Wizard”



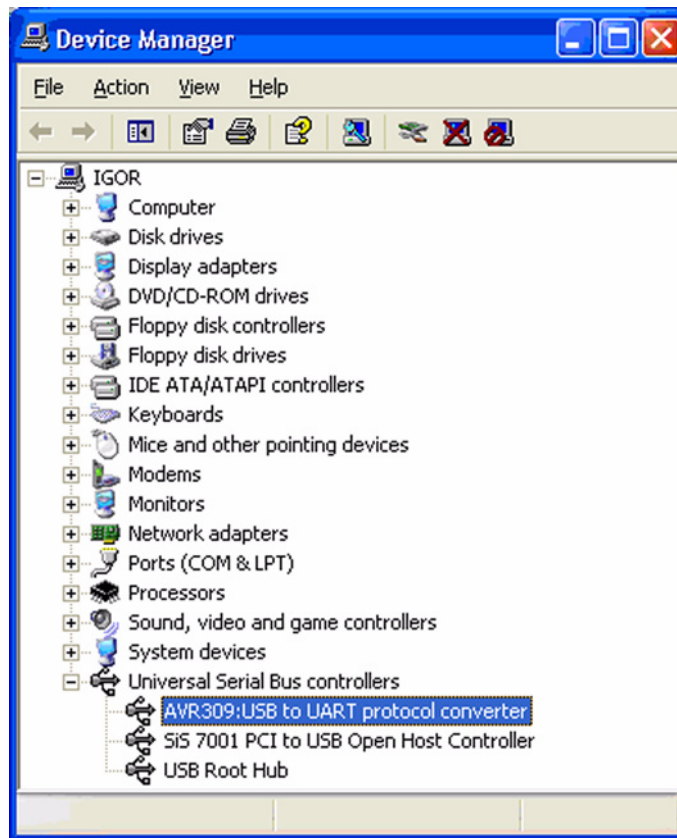
After successful installation, a small window with an installation confirmation appears.

Figure 6-14. Window “Confirmation of Installation”



Verify if the device **“AVR309:USB to UART protocol converter ...”** is present in **“Start - Settings - Control Panel - System - Device Manager - Universal Serial Bus controllers”**.

Figure 6-15. Window “Device Manager”



The device has been successfully installed.

7. Appendix C: ATR2820 Control Software Installation

The ATR2820 control software supports Microsoft® Windows 98, Windows ME, Windows 2000 and Windows XP.

Your computer must be switched on and running Microsoft® Windows.

Start the setup.exe file from the CD.

Figure 7-1. Window “Start the setup.exe File”

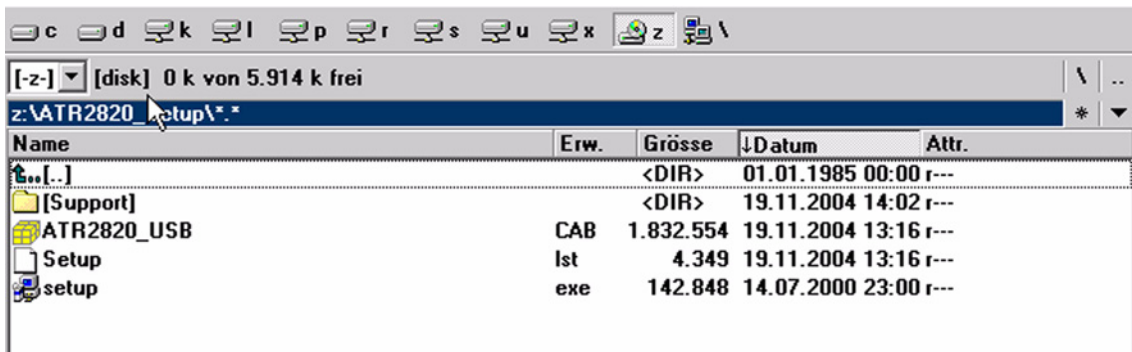


Figure 7-2. Window “ATR2820_USB-Setup”



Confirm this dialog box by clicking OK.

Start the installation by clicking on the installation symbol.

Figure 7-3. Window “ATR2820_USB-Setup” 2



Figure 7-4. Window “ATR2820_USB-Setup” 3



Allow to set up a new program group by clicking “weiter”.

The Installation has been successfully completed. Click on "OK".

Figure 7-5. Window "ATR2820_USB-Setup" 4





Headquarters

Atmel Corporation
2325 Orchard Parkway
San Jose, CA 95131
USA
Tel: 1(408) 441-0311
Fax: 1(408) 487-2600

International

Atmel Asia
Unit 1-5 & 16, 19/F
BEA Tower, Millennium City 5
418 Kwun Tong Road
Kwun Tong, Kowloon
Hong Kong
Tel: (852) 2245-6100
Fax: (852) 2722-1369

Atmel Europe
Le Krebs
8, Rue Jean-Pierre Timbaud
BP 309
78054
Saint-Quentin-en-Yvelines Cedex
France
Tel: (33) 1-30-60-70-00
Fax: (33) 1-30-60-71-11

Atmel Japan
9F, Tonetsu Shinkawa Bldg.
1-24-8 Shinkawa
Chuo-ku, Tokyo 104-0033
Japan
Tel: (81) 3-3523-3551
Fax: (81) 3-3523-7581

Product Contact

Web Site
www.atmel.com

Technical Support
cordless_phone@atmel.com

Sales Contact
www.atmel.com/contacts

Literature Requests
www.atmel.com/literature

Disclaimer: The information in this document is provided in connection with Atmel products. No license, express or implied, by estoppel or otherwise, to any intellectual property right is granted by this document or in connection with the sale of Atmel products. **EXCEPT AS SET FORTH IN ATMEL'S TERMS AND CONDITIONS OF SALE LOCATED ON ATMEL'S WEB SITE, ATMEL ASSUMES NO LIABILITY WHATSOEVER AND DISCLAIMS ANY EXPRESS, IMPLIED OR STATUTORY WARRANTY RELATING TO ITS PRODUCTS INCLUDING, BUT NOT LIMITED TO, THE IMPLIED WARRANTY OF MERCHANTABILITY, FITNESS FOR A PARTICULAR PURPOSE, OR NON-INFRINGEMENT. IN NO EVENT SHALL ATMEL BE LIABLE FOR ANY DIRECT, INDIRECT, CONSEQUENTIAL, PUNITIVE, SPECIAL OR INCIDENTAL DAMAGES (INCLUDING, WITHOUT LIMITATION, DAMAGES FOR LOSS OF PROFITS, BUSINESS INTERRUPTION, OR LOSS OF INFORMATION) ARISING OUT OF THE USE OR INABILITY TO USE THIS DOCUMENT, EVEN IF ATMEL HAS BEEN ADVISED OF THE POSSIBILITY OF SUCH DAMAGES.** Atmel makes no representations or warranties with respect to the accuracy or completeness of the contents of this document and reserves the right to make changes to specifications and product descriptions at any time without notice. Atmel does not make any commitment to update the information contained herein. Unless specifically provided otherwise, Atmel products are not suitable for, and shall not be used in, automotive applications. Atmel's products are not intended, authorized, or warranted for use as components in applications intended to support or sustain life.

© 2010 Atmel Corporation. All rights reserved. Atmel®, logo and combinations thereof, and others are registered trademarks or trademarks of Atmel Corporation or its subsidiaries. Windows® and others are registered trademarks or trademarks of Microsoft Corporation in the US and/or other countries. Other terms and product names may be trademarks of others.