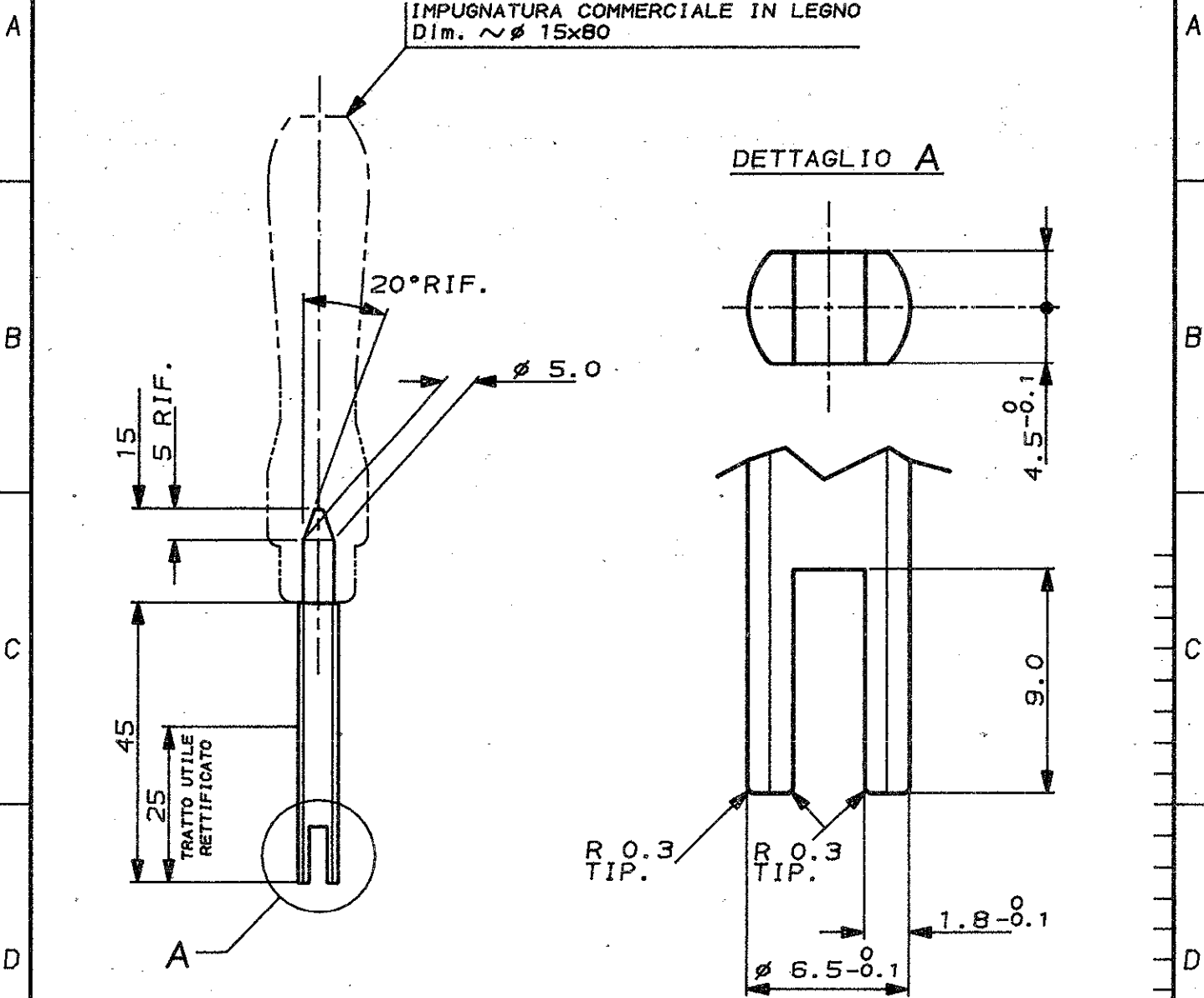


SCALA NON IMPEGNATIVA
(DO NOT SCALE)
DIMENSIONI IN
(DIMENSIONS IN) mm

METRIC

PROIEZIONE EUROPEA
(EUROPEAN PROJECTION)



ADATTO PER CONNETTORI A 1 E 2 VIE

—	ACCIAIO	785061-1
FINITURA / COLORE (FINISH / COLOUR)	MATERIALE (MATERIAL)	NUMERO (PART NUMBER)

CUSTOMER DWG. FOR REFERENCE ONLY DISEGNO PER CLIENTE SOLO PER RIFERIMENTO

~~THIS DRAWING IS UNPUBLISHED~~ RELEASE FOR PUBLICATION 1991

© COPYRIGHT 1991 BY AMP INCORPORATED, HARRISBURG, PA. ALL INTERNATIONAL RIGHT RESERVED. AMP PRODUCTS MAY BE COVERED BY U.S. AND FOREIGN PATENT AND/OR PATENT PENDING

TOLLERANZE, SE NON DIVERSAMENTE SPECIFICATO (TOLERANCES, UNLESS OTHERWISE SPECIFIED)	DIAM. ISOLANTE (INS. DIA. RANGED)	RANGO FILO (WIRE RANGED)	SCALA (SCALED)
± 0.3	-	-	1:1

ANSOLI (CABLES) ± 2°

AMP AMP ITALIA S.p.A.
Corso F.lli Cervi, 15
COLLENO (TORINO)

DIS. BASSANO (DR.) 27 MAR. 91

DESCRIZIONE (DESCRIPTION) INSERITORE PER SECONDARY LOCK

AMP SUPERSEAL 1.5 SRS MALE CONN.

CONT. (CHG)	LOC. SIZE (CONV NO)	NUMERO (DWG NO)	REV.	FOLIO (SHEET)
APP. (CAPP.)	IA4	C-785061	0	1 DI 2

DISTRIBUZIONE (PRINT DIST.)

REV. (REV.)	REVISIONI (REVISION RECORD)	DIS. DATA (DR) (DATED)
-------------	-----------------------------	------------------------

1

2

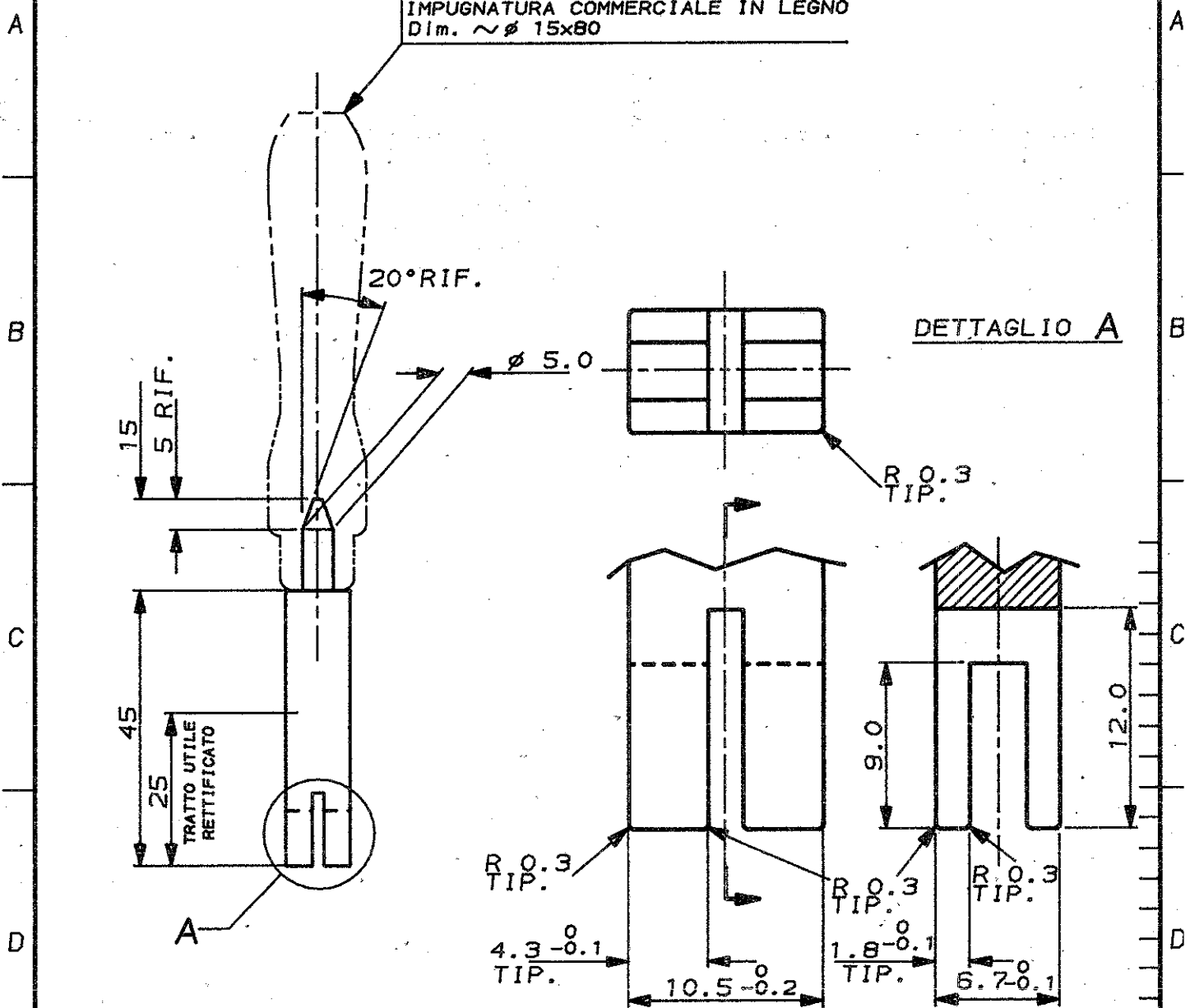
3

4

SCALA NON IMPEGNATIVA
(DO NOT SCALE)
DIMENSIONI IN
DIMENSIONS IN mm

METRIC

PROIEZIONE EUROPEA
(EUROPEAN PROJECTION)



ADATTO PER CONNETTORI A 3 - 4 - 5 - 6 VIE

	ACCIAIO	785061-2
FINITURA / COLORE (FINISH / COLOUR)	MATERIALE (MATERIAL)	NUMERO (PART NUMBER)

CUSTOMER DWG. FOR REFERENCE ONLY DISEGNO PER CLIENTE SOLO PER RIFERIMENTO

~~THIS DRAWING IS UNPUBLISHED~~ RELEASE FOR PUBLICATION 1991

© COPYRIGHT 1991 BY AMP INCORPORATED, HARRISBURG, PA. ALL INTERNATIONAL RIGHT RESERVED. AMP PRODUCTS MAY BE COVERED BY U.S. AND FOREIGN PATENT AND/OR PATENT PENDING

TOLLERANZE, SE NON DIVERSAMENTE SPECIFICATO (TOLERANCES, UNLESS OTHERWISE SPECIFIED)	DIAM. ISOLANTE (INS. DIA. RANGED)	RANGO FILO (WIRE RANGED)	SCALA (SCALED)
± 0.3	-	-	1:1

ANGOLI
(ANGLES) ± 2°

DIS. BASSANO (DR.) 28 MAR. 91

DESCRIZIONE (DESCRIPTION) INSERTORE PER SECONDARY LOCK

AMP SUPERSEAL 1.5 SRS MALE CONN.

CONT. (CONT.)	LOC. (LOC.)	SIZE (SIZE)	NUMERO (CONS NO)	REV.	FOGLIO (SHEET)
-	I	A4	C-785061	0	2/2

DISTRIBUZIONE (PRINT DIST.)

1

2

3

4