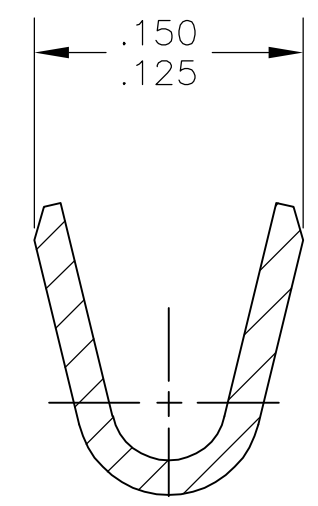
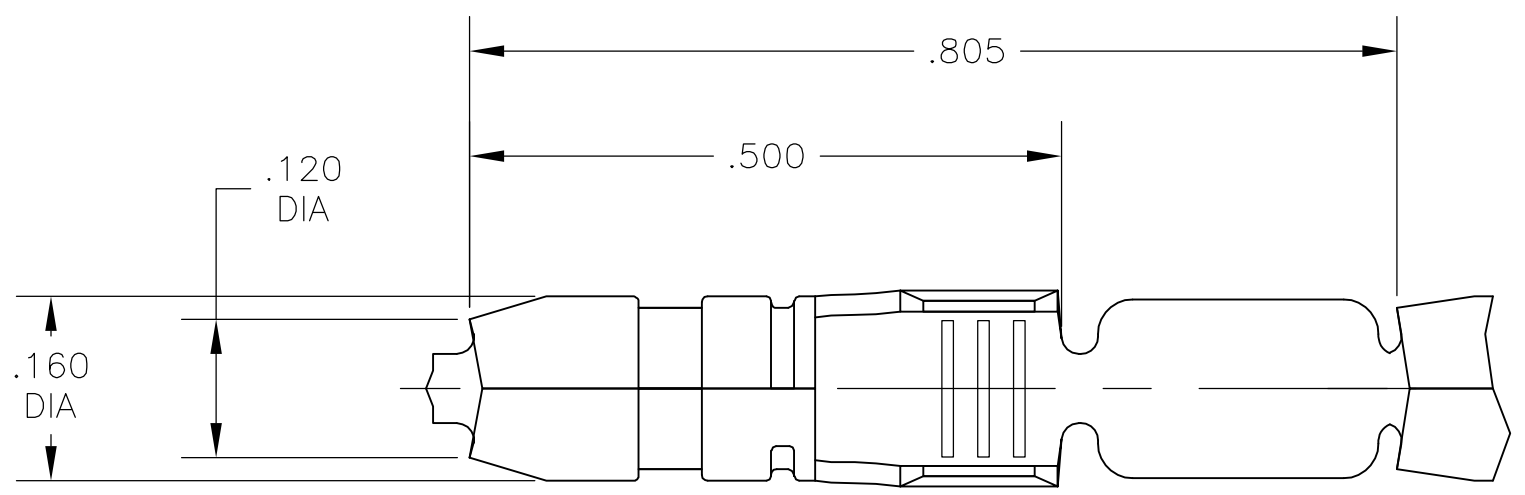


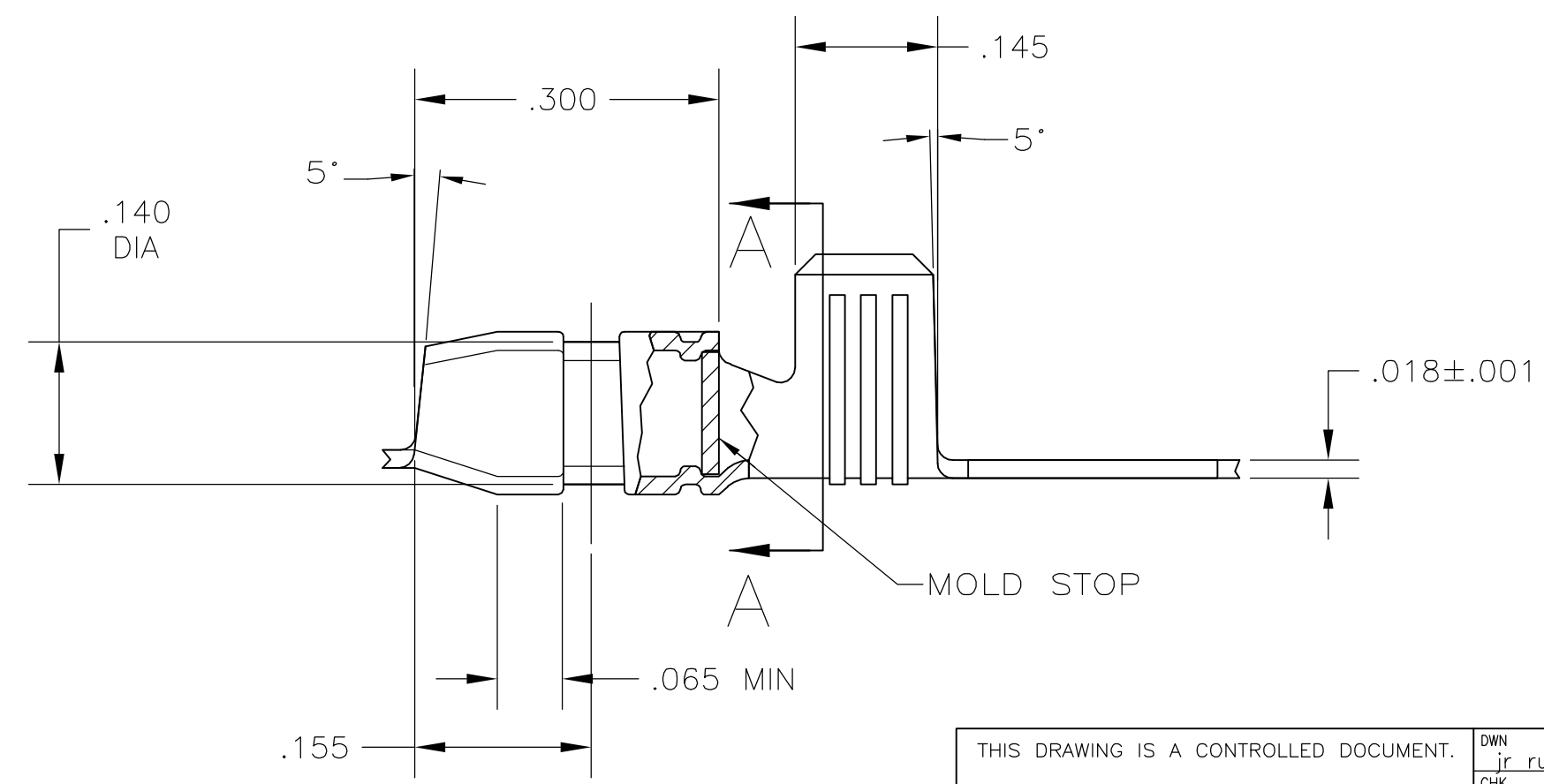
THIS DRAWING IS UNPUBLISHED. RELEASED FOR PUBLICATION
 © COPYRIGHT BY TYCO ELECTRONICS CORPORATION. ALL RIGHTS RESERVED.

LOC	DIST	REVISIONS			
P	LTR	DESCRIPTION	DATE	DWN	APVD
AF	50	C	REVISED PER 0G3A-0709-04	29SEP04	MF DD

- 1 CONTINUOUS STRIP ON REEL.
- 2 WIRE SIZE #18-#14 AWG



SECTION A-A
SCALE 10:1



1742083-1
PART NO.

THIS DRAWING IS A CONTROLLED DOCUMENT.		DWN	jr_ruth	12MAR04	Tyco Electronics Corporation Harrisburg, Pa 17105-3608	
DIMENSIONS: INCHES		CHK	D DECKER	12MAR04		
TOLERANCES UNLESS OTHERWISE SPECIFIED:		APVD	D DECKER	12MAR04	NAME	
0 PLC ± - 1 PLC ± - 2 PLC ± .010 3 PLC ± - 4 PLC ± - ANGLES ± -		PRODUCT SPEC		SHUR PLUG, .156 DIA		
MATERIAL		APPLICATION SPEC		RESTRICTED TO		
081 BRASS		FINISH		SCALE		
		.000130 MIN TIN		6:1		
		WEIGHT		SHEET		
		-		1 OF 1		
		CUSTOMER DRAWING		REV		
		SIZE		C		
		A3		C-1742083		