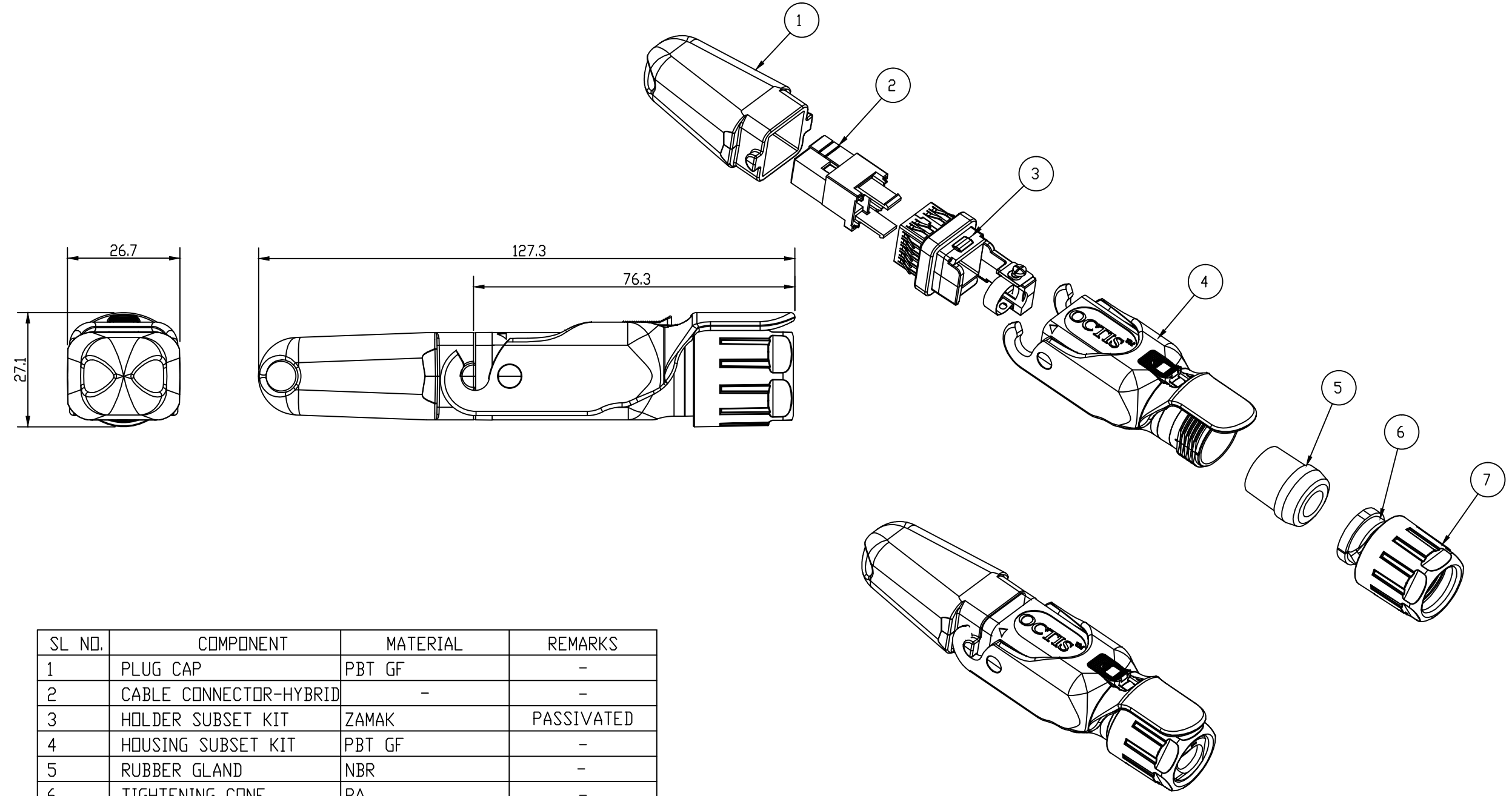


PLUG KIT PART NUMBER
10135748-101LF

OCTIS PLUG KIT, HYBRID, FIELD TERMINABLE, PITCH 26 MM



SL NO.	COMPONENT	MATERIAL	REMARKS
1	PLUG CAP	PBT GF	-
2	CABLE CONNECTOR-HYBRID	-	-
3	HOLDER SUBSET KIT	ZAMAK	PASSIVATED
4	HOUSING SUBSET KIT	PBT GF	-
5	RUBBER GLAND	NBR	-
6	TIGHTENING CONE	PA	-
7	GLAND NUT	PBT GF	COLOUR PURPLE

mat'l. code		surface 58		tolerance		projection		product family	
		ISO 1302		ISO 406 ISO 1101				OCTIS	
ltr		ecn no		date		tolerances unless otherwise specified		title	
A		-		SAL 2015-09-18		angles linear 0.X ±0.3 0.XX ±0.10 0.XXX ±0.050		OCTIS PLUG KIT, HYBRID FIELD TERMINABLE, PITCH 26 MM	
B		ELX-I-22293		SAL 2015-10-26		0° ±2°			
C		ELX-I-23480		SAL 2016-03-05				scale 1:1	
D		ELX-I-24026		SAL 2016-05-04		dr S.ALOSIUS 2015-09-18		dwg no sheet 1 of 1 size 5 10135748 A3	
						enr S.ALOSIUS 2015-09-18			
						chr S.ALOSIUS 2016-05-04		type Product Customer Drawing	
						appd BIJU K PAUL 2016-05-04			
sheet index		revision sheet		D 1					

Amphenol
FCI

© 2016 AFCI