

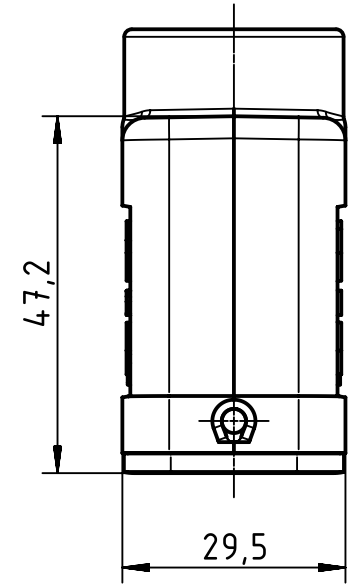
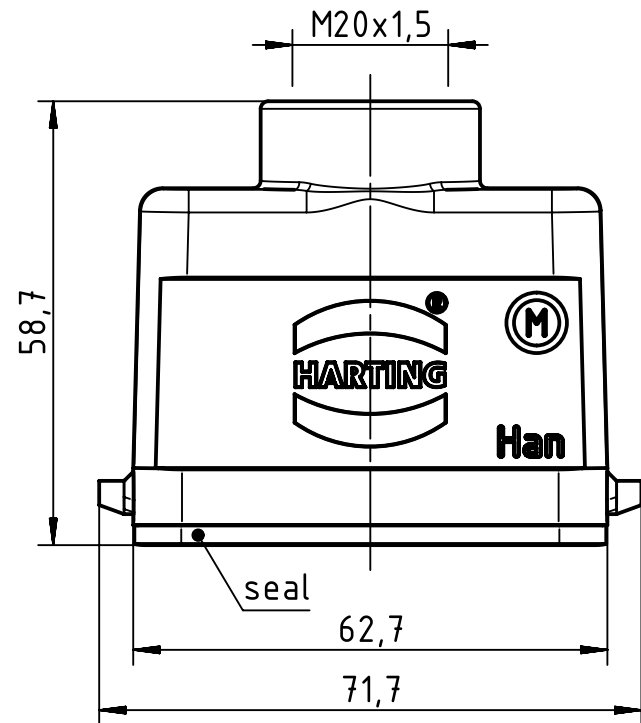
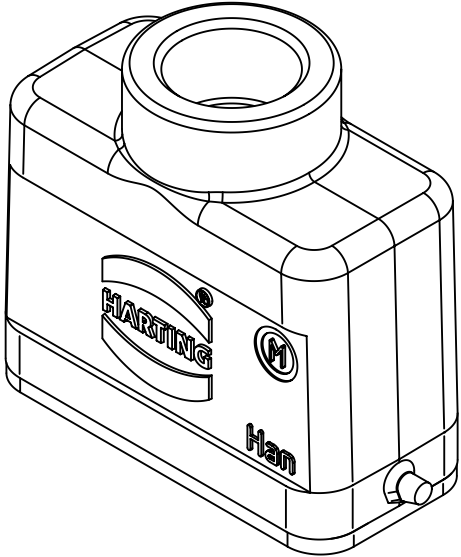
1 2 3 4 5 6

A

B

C

D



	All Dimensions in mm Original Size DIN A4		Scale 1:1		Free size tol.		Ref. Sub. TB 19 20 010 1440 v. 16.11.00		
		All rights reserved Department EL PD - DE		Created by SPRENB	Inspected by BERGHORN	Standardisation TIEMANNA	Date 2014-02-12	State Final Release	
HARTING Electric GmbH & Co. KG D-32339 Espelkamp				Title Han A Hood Top Entry LC two pegs M20			Doc-Key / ECM-Nr. 100090958/UGD/005/A 500000071222		
				Type TB	Number 19 20 010 1440			Rev. A	Page 1/1