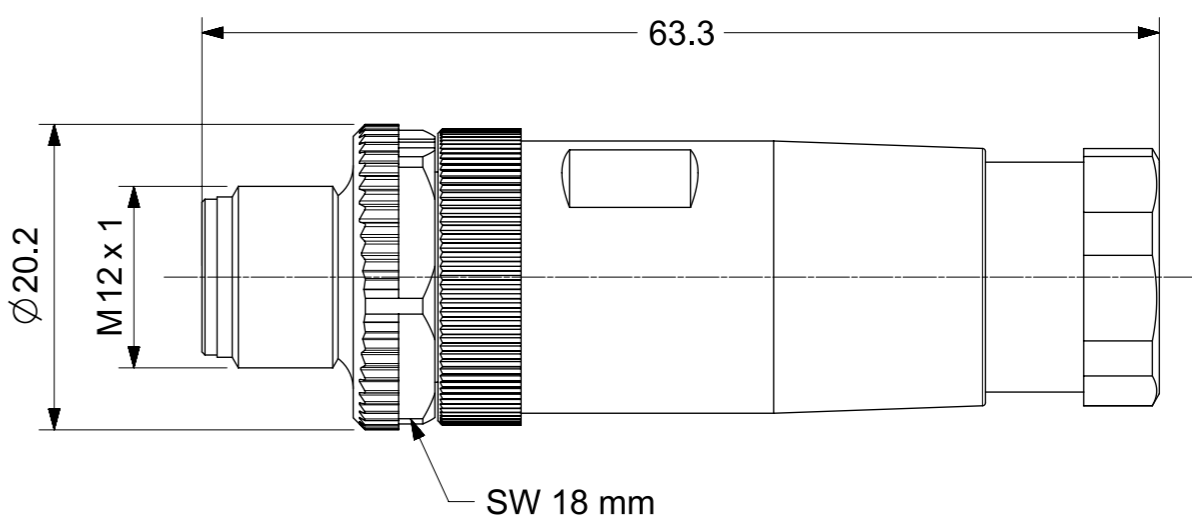
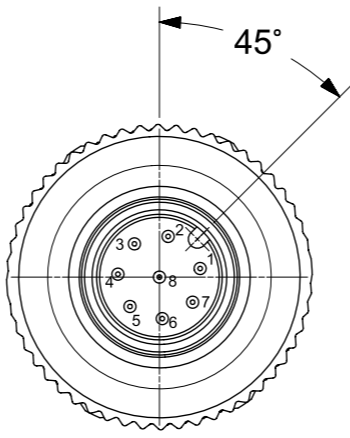
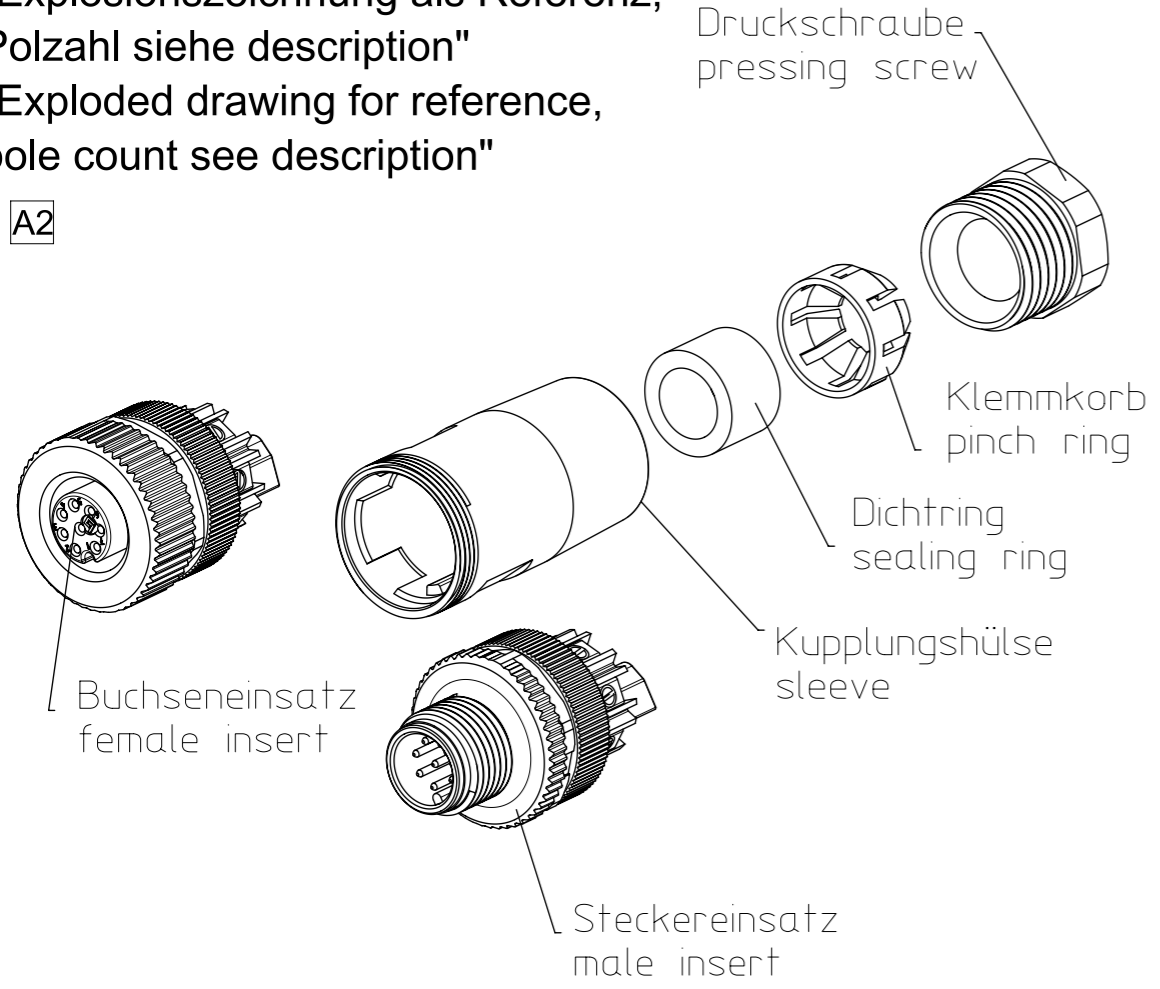


"Explosionszeichnung als Referenz,  
Polzahl siehe description"  
"Exploded drawing for reference,  
pole count see description"

A2



CHANGES SEE REVISION MARKING A1	NOTES
CHANGES SEE REVISION MARKING A2	NOTES

NOTES:

1. LOCKING SYSTEM: SCREW  
WIRE GAUGE: 0.5 mm<sup>2</sup>  
CABLE OUTLET: 6 - 8 mm
2. ELECTRICAL DATA:  
CURRENT RATING: 2 A  
VOLTAGE RATING: 30 V  
MATING CYCLES: > 100
3. MECHANICAL:  
OPERATING TEMP.: -40°C to +85°C A1  
PROTECTION CLASS: IP67
4. MATERIAL:  
CONTACT: CuZn (BRASS)  
CONTACT PLATING: Au (GOLD)  
CONTACT BODY: PA  
HOUSING: PA  
(5. UL-APPROVAL)

ENG.-NO: 8A8006-32

THIS DRAWING CONTAINS INFORMATION THAT IS PROPRIETARY TO MOLEX ELECTRONIC TECHNOLOGIES, LLC AND SHOULD NOT BE USED WITHOUT WRITTEN PERMISSION												
<b>QUALITY SYMBOLS</b> FA = 0 FE = 0 FP = 0 FV = 0 FC = 0 FX = 0 FS = 0 FT = 0	EC NO: 107393 DRWN: LRAMMURTHY CHK'D: REV APPR: RSILLER	2016/08/10 2016/08/29	GENERAL TOLERANCES (UNLESS SPECIFIED)		DIMENSION UNITS	SCALE						
			ANGULAR TOL ± 1.0 °		MM	2:1						
			4 PLACES ±	DRWN BY		DATE		FA M12 8P AC MA STR SCR UNSH				
			3 PLACES ±	MSCHWARZ		2015/07/01						
			2 PLACES ± 0.05	CHK'D BY		DATE		PRODUCT CUSTOMER DRAWING				
1 PLACE ± 0.3	APPR BY		DATE									
0 PLACES ± 0.5	DRAFT WHERE APPLICABLE MUST REMAIN WITHIN DIMENSIONS		DRAWING SIZE	THIRD ANGLE PROJECTION	SERIES	MATERIAL NUMBER	CUSTOMER					
			A3		120071	1200710030	GENERAL MARKET					
					DOCUMENT NUMBER		DOC TYPE	DOC PART	SHEET NUMBER			
					1200710030		PSD	000	1 OF 1			