

16-Mbit (1 M words × 16 bit) Static RAM

Features

- High speed
 - $t_{AA} = 10 \text{ ns}$
- Low active power
 - $I_{CC} = 90 \text{ mA}$ at 100 MHz
- Low CMOS standby current
 - $I_{SB2} = 20 \text{ mA}$ (typ)
- Operating voltages of 2.2 V to 3.6 V
- 1.0 V data retention
- Automatic power down when deselected
- TTL compatible inputs and outputs
- Easy memory expansion with \overline{CE}_1 and CE_2 features
- Available in Pb-free 54-pin TSOP II, and 48-ball VFBGA packages
- Offered in dual Chip Enable options

Functional Description

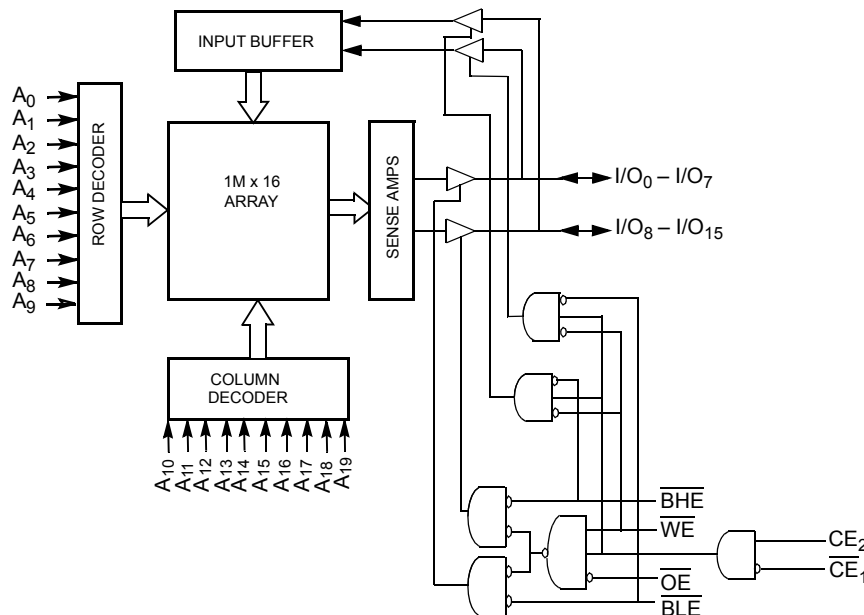
The CY7C1061GN30 is a high performance CMOS Static RAM organized as 1,048,576 words by 16 bits.

To write to the device, take Chip Enables (\overline{CE}_1 LOW and CE_2 HIGH) and Write Enable (\overline{WE}) input LOW. If Byte Low Enable (\overline{BLE}) is LOW, then data from I/O pins (I/O_0 through I/O_7), is written into the location specified on the address pins (A_0 through A_{19}). If Byte High Enable (\overline{BHE}) is LOW, then data from I/O pins (I/O_8 through I/O_{15}) is written into the location specified on the address pins (A_0 through A_{19}).

To read from the device, take Chip Enables (\overline{CE}_1 LOW and CE_2 HIGH) and Output Enable (\overline{OE}) LOW while forcing the Write Enable (\overline{WE}) HIGH. If Byte Low Enable (\overline{BLE}) is LOW, then data from the memory location specified by the address pins appears on I/O_0 to I/O_7 . If Byte High Enable (\overline{BHE}) is LOW, then data from memory appears on I/O_8 to I/O_{15} . See Truth Table on page 12 for a complete description of Read and Write modes.

The input or output pins (I/O_0 through I/O_{15}) are placed in a high impedance state when the device is deselected (\overline{CE}_1 HIGH/ CE_2 LOW), the outputs are disabled (\overline{OE} HIGH), the \overline{BHE} and \overline{BLE} are disabled (\overline{BHE} , \overline{BLE} HIGH), or during a write operation (\overline{CE}_1 LOW, CE_2 HIGH, and \overline{WE} LOW).

Logic Block Diagram



Contents

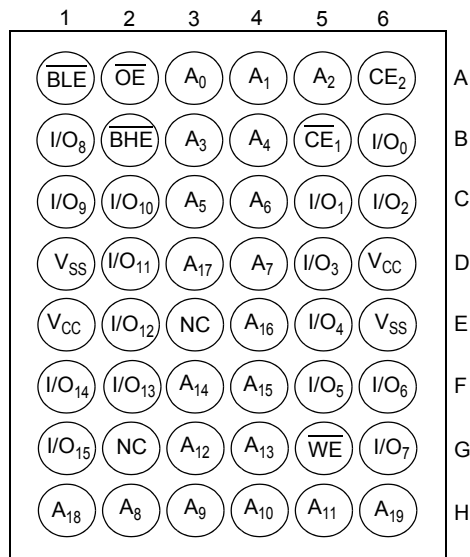
Selection Guide	3	Ordering Information	13
Pin Configurations	3	Ordering Code Definitions	13
Maximum Ratings	5	Package Diagrams	14
Operating Range	5	Acronyms	16
DC Electrical Characteristics	5	Document Conventions	16
Capacitance	6	Units of Measure	16
Thermal Resistance	6	Document History Page	17
AC Test Loads and Waveforms	6	Sales, Solutions, and Legal Information	18
Data Retention Characteristics	7	Worldwide Sales and Design Support	18
Over the Operating Range	7	Products	18
Data Retention Waveform	7	PSoC® Solutions	18
AC Switching Characteristics	8	Cypress Developer Community	18
Switching Waveforms	9	Technical Support	18
Truth Table	12		

Selection Guide

Description	-10	Unit
Maximum access time	10	ns
Maximum operating current	110	mA
Maximum CMOS standby current	30	mA

Pin Configurations

Figure 1. 48-ball VFBGA (8 × 9.5 × 1 mm) Dual Chip Enable pinout (Top View) ^[1]



Note

1. NC pins are not connected internally to the die.

Pin Configurations (continued)

Figure 2. 54-pin TSOP II (22.4 × 11.84 × 1.0 mm) pinout (Top View) [2]

I/O ₁₂	1	54	I/O ₁₁
V _{CC}	2	53	V _{SS}
I/O ₁₃	3	52	I/O ₁₀
I/O ₁₄	4	51	I/O ₉
V _{SS}	5	50	V _{CC}
I/O ₁₅	6	49	I/O ₈
A ₄	7	48	A ₅
A ₃	8	47	A ₆
A ₂	9	46	A ₇
A ₁	10	45	A ₈
A ₀	11	44	A ₉
BHE	12	43	NC
CE ₁	13	42	OE
V _{CC}	14	41	V _{SS}
WE	15	40	NC
CE ₂	16	39	BLE
A ₁₉	17	38	A ₁₀
A ₁₈	18	37	A ₁₁
A ₁₇	19	36	A ₁₂
A ₁₆	20	35	A ₁₃
A ₁₅	21	34	A ₁₄
I/O ₀	22	33	I/O ₇
V _{CC}	23	32	V _{SS}
I/O ₁	24	31	I/O ₆
I/O ₂	25	30	I/O ₅
V _{SS}	26	29	V _{CC}
I/O ₃	27	28	I/O ₄

Note

- NC pins are not connected internally to the die.

Maximum Ratings

Exceeding maximum ratings may impair the useful life of the device. These user guidelines are not tested.

Storage Temperature	-65 °C to +150 °C
Ambient Temperature with Power Applied	-55 °C to +125 °C
Supply Voltage on V _{CC} relative to GND [3]	-0.5 V to V _{CC} + 0.5 V
DC Voltage Applied to Outputs in High Z State [3]	-0.5 V to V _{CC} + 0.5 V

DC Input Voltage [3]	-0.5 V to V _{CC} + 0.5 V
Current into Outputs (LOW)	20 mA
Static Discharge Voltage (MIL-STD-883, Method 3015)	>2001 V
Latch Up Current	>200 mA

Operating Range

Range	Ambient Temperature	V _{CC}
Industrial	-40 °C to +85 °C	2.2 V to 3.6 V

DC Electrical Characteristics

Over the Operating Range

Parameter	Description	Test Conditions	-10			Unit
			Min	Typ [4]	Max	
V _{OH}	Output HIGH voltage	2.2 V to 2.7 V	V _{CC} = Min, I _{OH} = -0.1 mA			V
		2.7 V to 3.6 V	V _{CC} = Min, I _{OH} = -4.0 mA			
V _{OL}	Output LOW voltage	2.2 V to 2.7 V	V _{CC} = Min, I _{OL} = 2 mA			V
		2.7 V to 3.6 V	V _{CC} = Min, I _{OL} = 8 mA			
V _{IH}	Input HIGH voltage [3]	2.2 V to 2.7 V	-	-	V _{CC} + 0.3	V
		2.7 V to 3.6 V	-	-	V _{CC} + 0.3	
V _{IL}	Input LOW voltage [3]	2.2 V to 2.7 V	-	-	0.6	V
		2.7 V to 3.6 V	-	-	0.8	
I _{IX}	Input leakage current	GND ≤ V _I ≤ V _{CC}	-1	-	+1	μA
I _{OZ}	Output leakage current	GND ≤ V _{OUT} ≤ V _{CC} , Output disabled	-1	-	+1	μA
I _{CC}	V _{CC} operating supply current	V _{CC} = Max, f = f _{MAX} = 1/t _{RC} , I _{OUT} = 0 mA, CMOS levels	-	90	110	mA
I _{SB1}	Automatic CE power down current – TTL inputs	Max V _{CC} , $\overline{CE}_1 \geq V_{IH}$, CE ₂ ≤ V _{IL} , V _{IN} ≥ V _{IH} or V _{IN} ≤ V _{IL} , f = f _{MAX}	-	-	40	mA
I _{SB2}	Automatic CE power down current – CMOS inputs	Max V _{CC} , $\overline{CE}_1 \geq V_{CC} - 0.3$ V, CE ₂ ≤ 0.3 V, V _{IN} ≥ V _{CC} - 0.3 V or V _{IN} ≤ 0.3 V, f = 0	-	20	30	mA

Note

- V_{IL(min)} = -2.0 V and V_{IH(max)} = V_{CC} + 2 V for pulse durations of less than 2 ns.
- Typical values are included only for reference and are not guaranteed or tested. Typical values are measured at V_{CC} = 3 V (for a V_{CC} range of 2.2 V–3.6 V), T_A = 25 °C.

Capacitance

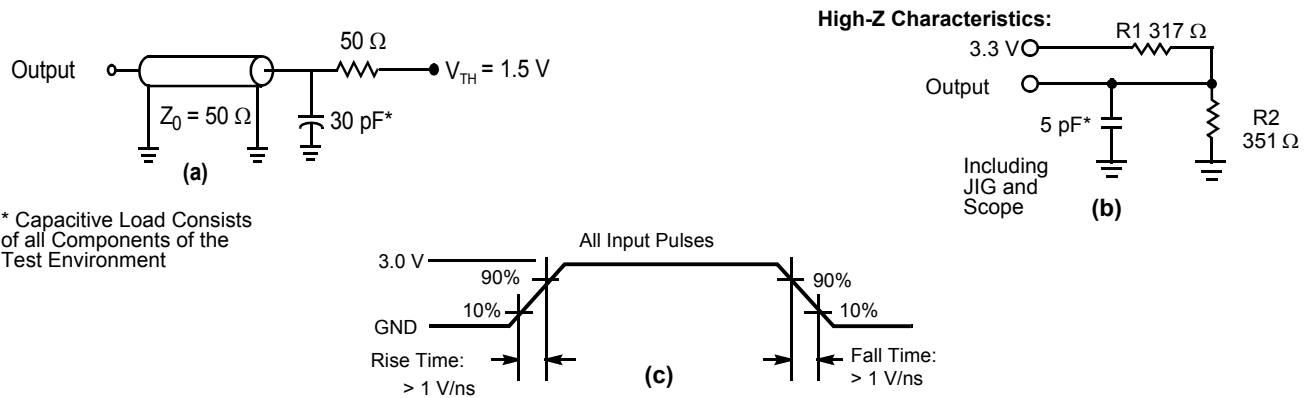
Parameter ^[5]	Description	Test Conditions	54-pin TSOP II	48-ball VFBGA	Unit
C _{IN}	Input capacitance	T _A = 25 °C, f = 1 MHz, V _{CC} = 3.3 V	10	10	pF
C _{OUT}	I/O capacitance		10	10	pF

Thermal Resistance

Parameter ^[5]	Description	Test Conditions	54-pin TSOP II	48-ball VFBGA	Unit
Θ _{JA}	Thermal resistance (junction to ambient)	Still air, soldered on a 3 × 4.5 inch, four layer printed circuit board	93.63	31.50	°C/W
Θ _{JC}	Thermal resistance (junction to case)		21.58	15.75	°C/W

AC Test Loads and Waveforms

Figure 3. AC Test Loads and Waveforms ^[6]



* Capacitive Load Consists of all Components of the Test Environment

Notes

- Tested initially and after any design or process changes that may affect these parameters.
- Valid SRAM operation does not occur until the power supplies have reached the minimum operating V_{DD} (3.0 V). 100 μs (t_{power}) after reaching the minimum operating V_{DD}, normal SRAM operation begins including reduction in V_{DD} to the data retention (V_{CCDR}, 1.0 V) voltage.

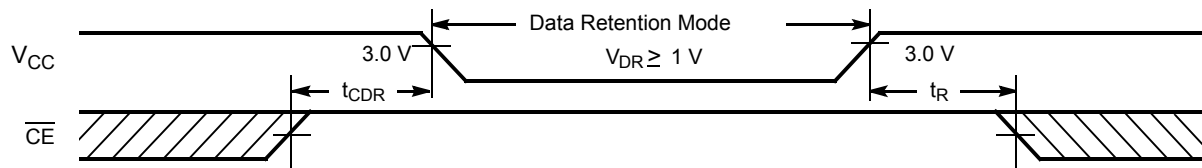
Data Retention Characteristics

Over the Operating Range

Parameter	Description	Conditions	Min	Max	Unit
V_{DR}	V_{CC} for data retention	–	1	–	V
I_{CCDR}	Data retention current	$V_{CC} = 1.2\text{ V}$, $\overline{CE}_1 \geq V_{CC} - 0.2\text{ V}$, $CE_2 \leq 0.2\text{ V}$, $V_{IN} \geq V_{CC} - 0.2\text{ V}$ or $V_{IN} \leq 0.2\text{ V}$	–	30	mA
$t_{CDR}^{[7]}$	Chip deselect to data retention time	–	0	–	ns
$t_R^{[8]}$	Operation recovery time	–	10	–	ns

Data Retention Waveform

Figure 4. Data Retention Waveform ^[9]



Notes

7. Tested initially and after any design or process changes that may affect these parameters.
8. Full device operation requires linear V_{CC} ramp from V_{DR} to $V_{CC(min.)} \geq 100\ \mu\text{s}$ or stable at $V_{CC(min.)} \geq 100\ \mu\text{s}$.
9. \overline{CE} is the logical combination of \overline{CE}_1 and CE_2 . When \overline{CE}_1 is LOW and CE_2 is HIGH, \overline{CE} is LOW; when \overline{CE}_1 is HIGH or CE_2 is LOW, \overline{CE} is HIGH.

AC Switching Characteristics

Over the Operating Range

Parameter ^[10]	Description	-10		Unit
		Min	Max	
Read Cycle				
t_{power}	V_{CC} (typical) to the first access ^[11]	100	–	μ s
t_{RC}	Read cycle time	10	–	ns
t_{AA}	Address to data valid	–	10	ns
t_{OHA}	Data hold from address change	3	–	ns
t_{ACE}	\overline{CE}_1 LOW/ CE_2 HIGH to data valid	–	10	ns
t_{DOE}	\overline{OE} LOW to data valid	–	5	ns
t_{LZOE}	\overline{OE} LOW to low Z ^[12]	0	–	ns
t_{HZOE}	\overline{OE} HIGH to high Z ^[12]	–	5	ns
t_{LZCE}	\overline{CE}_1 LOW/ CE_2 HIGH to low Z ^[12]	3	–	ns
t_{HZCE}	\overline{CE}_1 HIGH/ CE_2 LOW to high Z ^[12]	–	5	ns
t_{PU}	\overline{CE}_1 LOW/ CE_2 HIGH to power-up ^[13]	0	–	ns
t_{PD}	\overline{CE}_1 HIGH/ CE_2 LOW to power-down ^[13]	–	10	ns
t_{DBE}	Byte enable to data valid	–	5	ns
t_{LZBE}	Byte enable to low Z	0	–	ns
t_{HZBE}	Byte disable to high Z	–	6	ns
Write Cycle ^[14, 15]				
t_{WC}	Write cycle time	10	–	ns
t_{SCE}	\overline{CE}_1 LOW/ CE_2 HIGH to write end	7	–	ns
t_{AW}	Address setup to write end	7	–	ns
t_{HA}	Address hold from write end	0	–	ns
t_{SA}	Address setup to write start	0	–	ns
t_{PWE}	\overline{WE} pulse width	7	–	ns
t_{SD}	Data setup to write end	5	–	ns
t_{HD}	Data hold from write end	0	–	ns
t_{LZWE}	\overline{WE} HIGH to low Z ^[12,13]	3	–	ns
t_{HZWE}	\overline{WE} LOW to high Z ^[12,13]	–	5	ns
t_{BW}	Byte Enable to End of Write	7	–	ns

Notes

10. Test conditions assume signal transition time of 3 ns or less, timing reference levels of 1.5 V, and input pulse levels of 0 to 3.0 V. Test conditions for the read cycle use output loading shown in part (a) of [Figure 3 on page 6](#), unless specified otherwise.
11. t_{POWER} gives the minimum amount of time that the power supply is at typical V_{CC} values until the first memory access is performed.
12. t_{HZOE} , t_{HZCE} , t_{HZWE} , t_{HZBE} , t_{LZOE} , t_{LZCE} , t_{LZWE} , and t_{LZBE} are specified with a load capacitance of 5 pF as in (b) of [Figure 3 on page 6](#). Transition is measured when output goes into high impedance.
13. These parameters are guaranteed by design and are not tested.
14. The internal write time of the memory is defined by the overlap of \overline{WE} , $\overline{CE}_1 = V_{IL}$, and $CE_2 = V_{IH}$. Chip enables must be active and \overline{WE} and byte enables must be LOW to initiate a write, and the transition of any of these signals can terminate. The input data setup and hold timing should be referenced to the edge of the signal that terminates the write.
15. The minimum write cycle time for Write Cycle No. 2 (\overline{WE} Controlled, \overline{OE} LOW) is the sum of t_{HZWE} and t_{SD} .

Switching Waveforms

Figure 5. Read Cycle No. 1 (Address Transition Controlled) [16, 17]

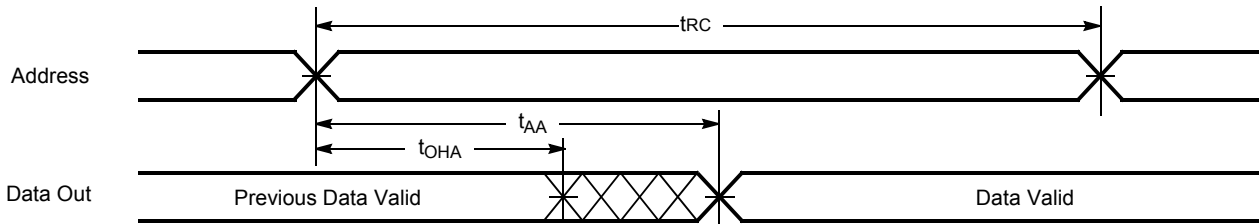
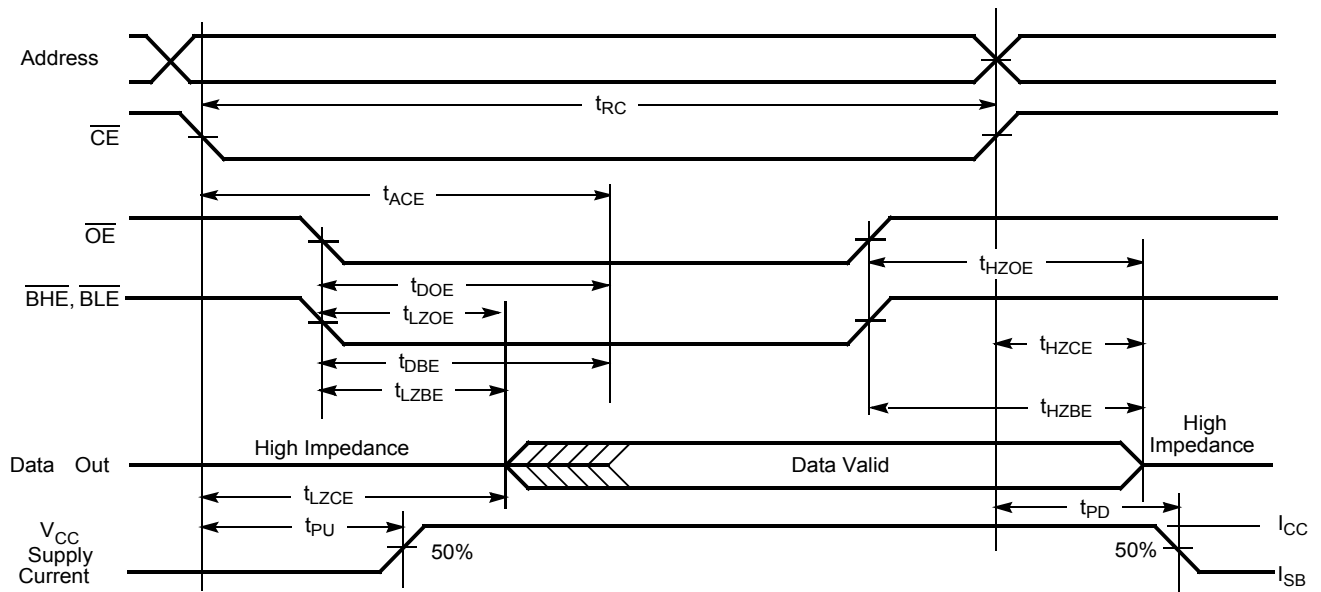


Figure 6. Read Cycle No. 2 (\overline{OE} Controlled) [17, 18, 19]



Notes

16. The device is continuously selected. \overline{OE} , $\overline{CE} = V_{IL}$, \overline{BHE} , \overline{BLE} or both = V_{IL} .

17. \overline{WE} is HIGH for read cycle.

18. \overline{CE} is the logical combination of \overline{CE}_1 and CE_2 . When \overline{CE}_1 is LOW and CE_2 is HIGH, \overline{CE} is LOW; when \overline{CE}_1 is HIGH or CE_2 is LOW, \overline{CE} is HIGH.

19. Address valid before or similar to \overline{CE} transition LOW.

Switching Waveforms (continued)

Figure 7. Write Cycle No. 1 ($\overline{\text{CE}}$ Controlled) [20, 21, 22]

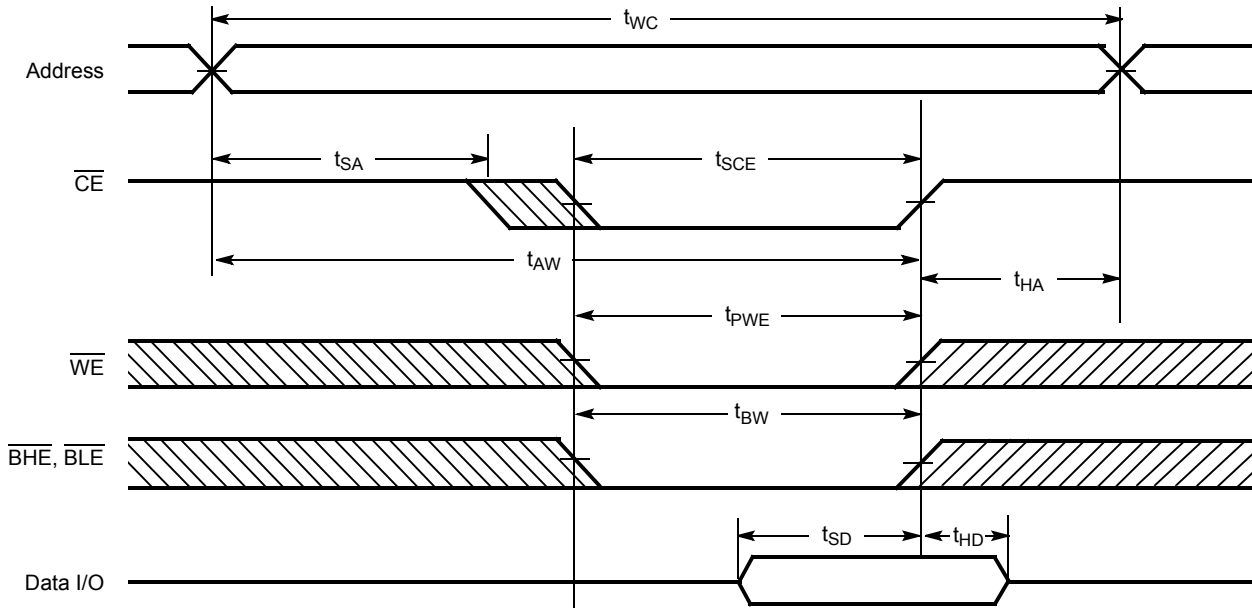
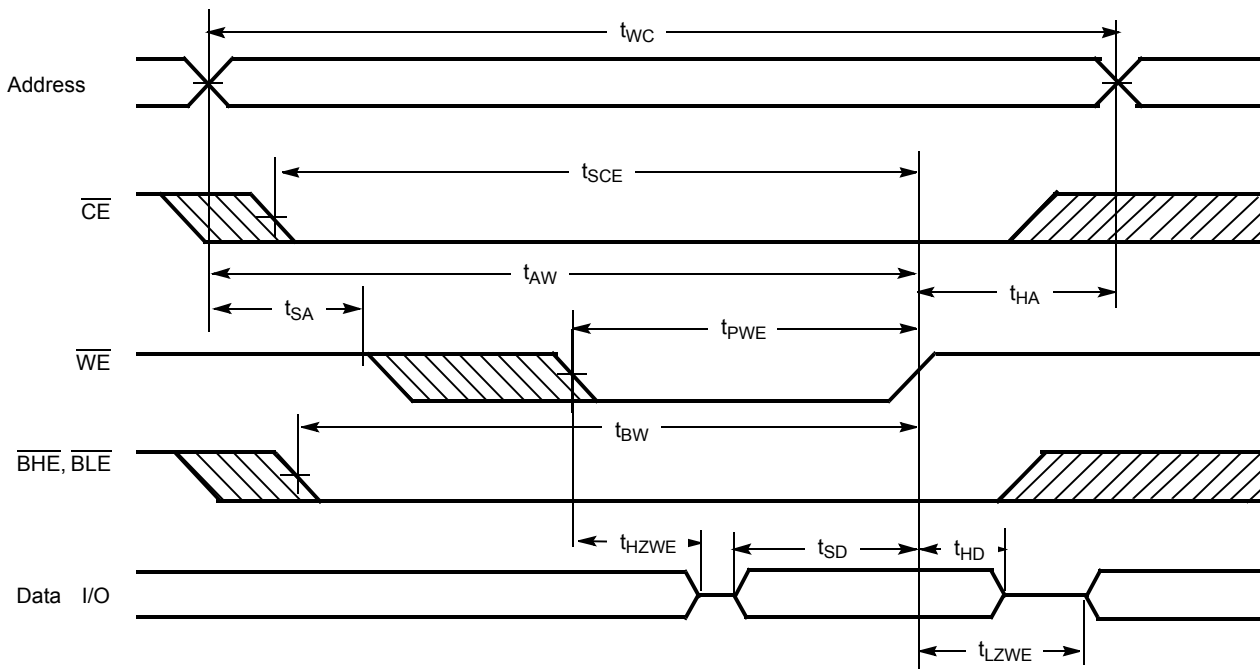


Figure 8. Write Cycle No. 2 ($\overline{\text{WE}}$ Controlled, $\overline{\text{OE}}$ LOW) [20, 21, 22]



Notes

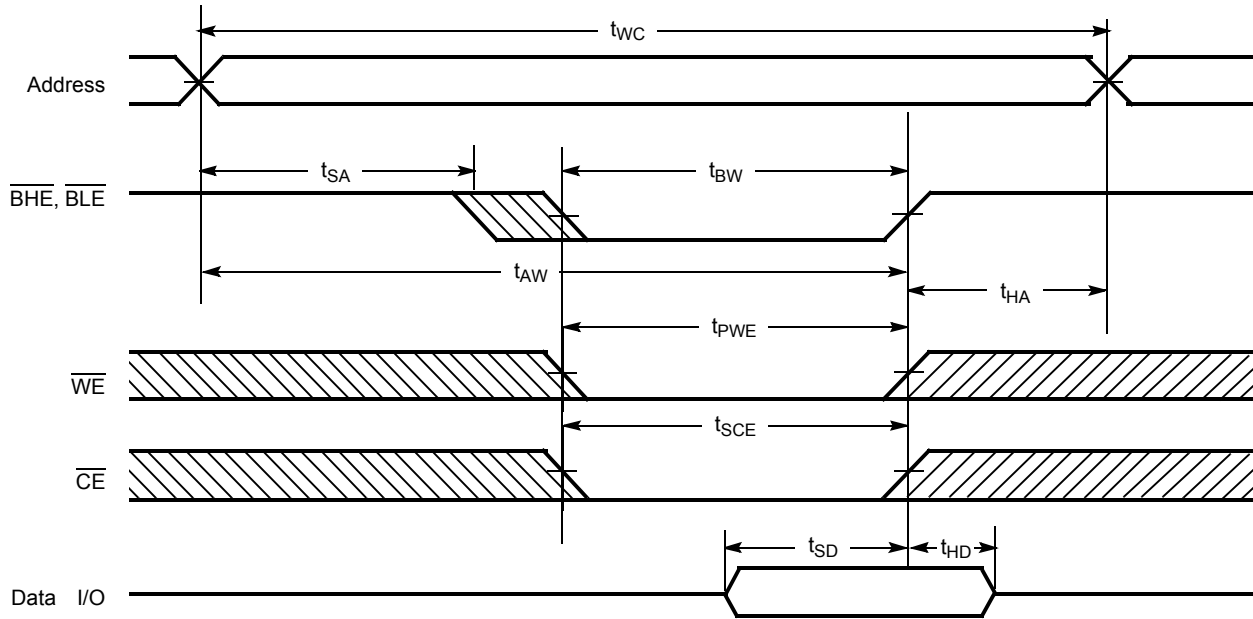
20. $\overline{\text{CE}}$ is the logical combination of $\overline{\text{CE}}_1$ and CE_2 . When $\overline{\text{CE}}_1$ is LOW and CE_2 is HIGH, $\overline{\text{CE}}$ is LOW; when $\overline{\text{CE}}_1$ is HIGH or CE_2 is LOW, $\overline{\text{CE}}$ is HIGH.

21. Data I/O is high impedance if $\overline{\text{OE}}$, $\overline{\text{BHE}}$, and/or $\overline{\text{BLE}} = V_{IH}$.

22. If $\overline{\text{CE}}$ goes HIGH simultaneously with $\overline{\text{WE}}$ going HIGH, the output remains in a high-impedance state.

Switching Waveforms (continued)

Figure 9. Write Cycle No. 3 ($\overline{\text{BLE}}$ or $\overline{\text{BHE}}$ Controlled) ^[23]



Note

23. $\overline{\text{CE}}$ is the logical combination of $\overline{\text{CE}}_1$ and CE_2 . When $\overline{\text{CE}}_1$ is LOW and CE_2 is HIGH, $\overline{\text{CE}}$ is LOW; when $\overline{\text{CE}}_1$ is HIGH or CE_2 is LOW, $\overline{\text{CE}}$ is HIGH.

Truth Table

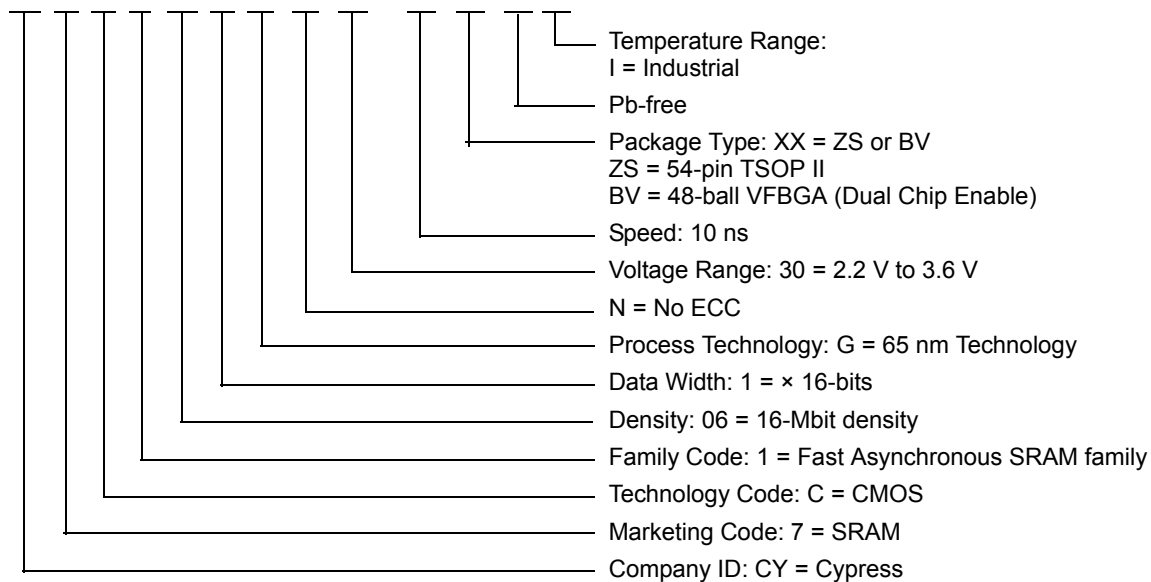
\overline{CE}_1	CE_2	\overline{OE}	\overline{WE}	\overline{BLE}	\overline{BHE}	I/O ₀ -I/O ₇	I/O ₈ -I/O ₁₅	Mode	Power
H	X	X	X	X	X	High Z	High Z	Power down	Standby (I _{SB})
X	L	X	X	X	X	High Z	High Z	Power down	Standby (I _{SB})
L	H	L	H	L	L	Data out	Data out	Read all bits	Active (I _{CC})
L	H	L	H	L	H	Data out	High Z	Read lower bits only	Active (I _{CC})
L	H	L	H	H	L	High Z	Data out	Read upper bits only	Active (I _{CC})
L	H	X	L	L	L	Data in	Data in	Write all bits	Active (I _{CC})
L	H	X	L	L	H	Data in	High Z	Write lower bits only	Active (I _{CC})
L	H	X	L	H	L	High Z	Data in	Write upper bits only	Active (I _{CC})
L	H	H	H	X	X	High Z	High Z	Selected, outputs disabled	Active (I _{CC})

Ordering Information

Speed (ns)	Ordering Code	Package Diagram	Package Type	Operating Range
10	CY7C1061GN30-10ZSXI	51-85160	54-pin TSOP II (22.4 × 11.84 × 1.0 mm) (Pb-free)	Industrial
	CY7C1061GN30-10BVXI	51-85150	48-ball VFBGA (6 × 8 × 1.0 mm) (Pb-free) (Dual Chip Enable)	

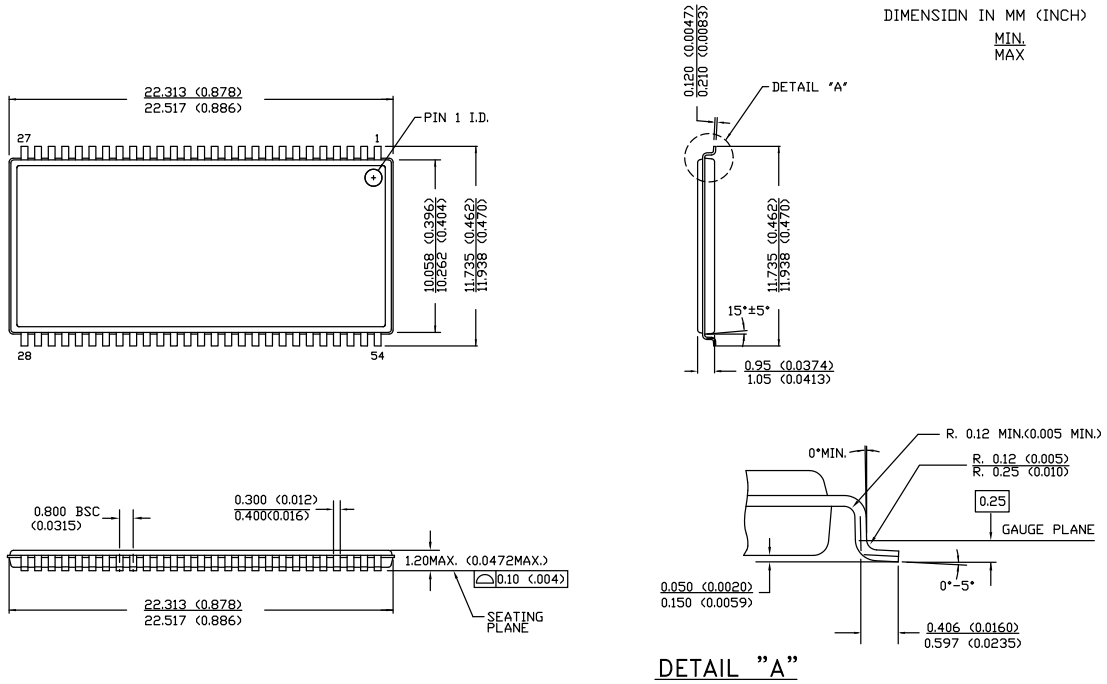
Ordering Code Definitions

CY 7 C 1 06 1 G N 30 - 10 XX X I



Package Diagrams

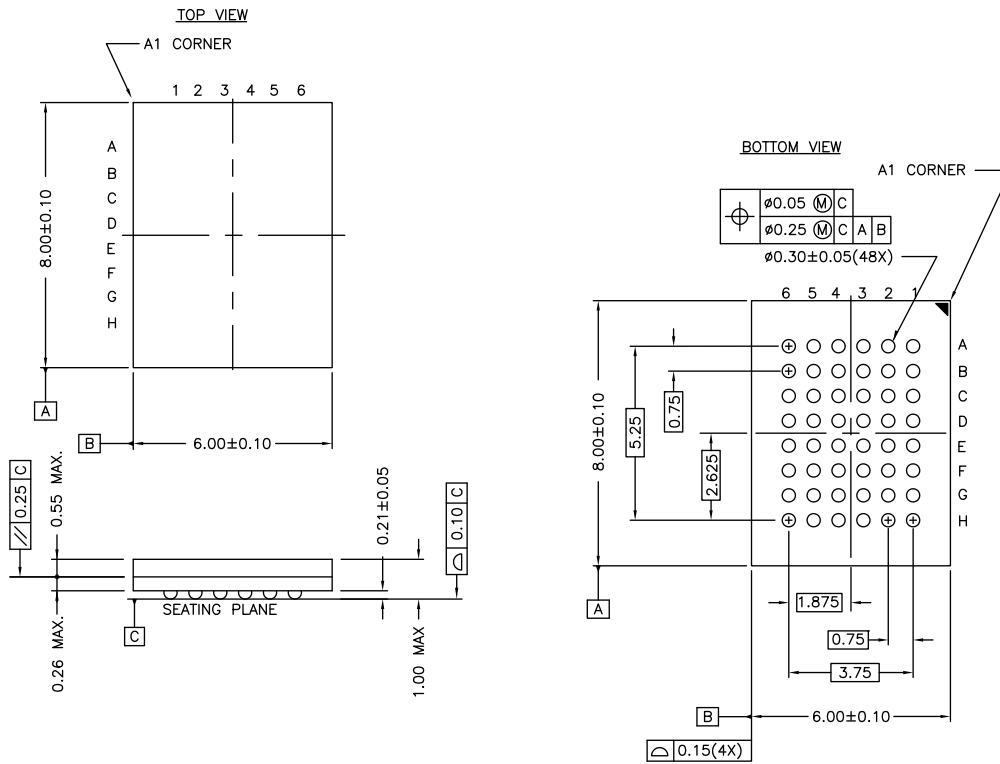
Figure 10. 54-pin TSOP II (22.4 × 11.84 × 1.0 mm) Z54-II Package Outline, 51-85160



51-85160 *E

Package Diagrams (continued)

Figure 11. 48-ball VFBGA (6 × 8 × 1.0 mm) BV48/BZ48 Package Outline, 51-85150



NOTE:
 PACKAGE WEIGHT: See Cypress Package Material Declaration Datasheet (PMDD)
 posted on the Cypress web.

51-85150 *H

Acronyms

Acronym	Description
$\overline{\text{BHE}}$	Byte High Enable
$\overline{\text{BLE}}$	Byte Low Enable
$\overline{\text{CE}}$	Chip Enable
CMOS	Complementary Metal Oxide Semiconductor
I/O	Input/Output
$\overline{\text{OE}}$	Output Enable
SRAM	Static Random Access Memory
TSOP	Thin Small Outline Package
TTL	Transistor-Transistor Logic
VFBGA	Very Fine-Pitch Ball Grid Array
$\overline{\text{WE}}$	Write Enable

Document Conventions

Units of Measure

Symbol	Unit of Measure
°C	degree Celsius
MHz	megahertz
μA	microampere
μs	microsecond
mA	milliampere
mm	millimeter
ns	nanosecond
Ω	ohm
%	percent
pF	picofarad
V	volt
W	watt

Document History Page

Document Title: CY7C1061GN30, 16-Mbit (1 M words × 16 bit) Static RAM Document Number: 001-93680				
Rev.	ECN No.	Orig. of Change	Submission Date	Description of Change
**	4505531	VINI	01/02/2015	New data sheet.
*A	4900408	NILE	09/11/2015	Updated DC Electrical Characteristics : Updated details in "Test Conditions" column of V _{OH} and V _{OL} parameters. Updated Ordering Information : No change in part numbers. Replaced "51-85178" with "51-85150" in "Package Diagram" column. Replaced "8 × 9.5 × 1 mm" with "6 × 8 × 1.0 mm" in "Package Type" column. Updated Package Diagrams : Removed spec 51-85178 *C. Added spec 51-85150 *H. Updated to new template.

Sales, Solutions, and Legal Information

Worldwide Sales and Design Support

Cypress maintains a worldwide network of offices, solution centers, manufacturer's representatives, and distributors. To find the office closest to you, visit us at [Cypress Locations](#).

Products

Automotive	cypress.com/go/automotive
Clocks & Buffers	cypress.com/go/clocks
Interface	cypress.com/go/interface
Lighting & Power Control	cypress.com/go/powerpsoc
Memory	cypress.com/go/memory
PSoC	cypress.com/go/psoc
Touch Sensing	cypress.com/go/touch
USB Controllers	cypress.com/go/USB
Wireless/RF	cypress.com/go/wireless

PSoC[®] Solutions

psoc.cypress.com/solutions
[PSoC 1](#) | [PSoC 3](#) | [PSoC 4](#) | [PSoC 5LP](#)

Cypress Developer Community

[Community](#) | [Forums](#) | [Blogs](#) | [Video](#) | [Training](#)

Technical Support

cypress.com/go/support

© Cypress Semiconductor Corporation, 2015. The information contained herein is subject to change without notice. Cypress Semiconductor Corporation assumes no responsibility for the use of any circuitry other than circuitry embodied in a Cypress product. Nor does it convey or imply any license under patent or other rights. Cypress products are not warranted nor intended to be used for medical, life support, life saving, critical control or safety applications, unless pursuant to an express written agreement with Cypress. Furthermore, Cypress does not authorize its products for use as critical components in life-support systems where a malfunction or failure may reasonably be expected to result in significant injury to the user. The inclusion of Cypress products in life-support systems application implies that the manufacturer assumes all risk of such use and in doing so indemnifies Cypress against all charges.

Any Source Code (software and/or firmware) is owned by Cypress Semiconductor Corporation (Cypress) and is protected by and subject to worldwide patent protection (United States and foreign), United States copyright laws and international treaty provisions. Cypress hereby grants to licensee a personal, non-exclusive, non-transferable license to copy, use, modify, create derivative works of, and compile the Cypress Source Code and derivative works for the sole purpose of creating custom software and or firmware in support of licensee product to be used only in conjunction with a Cypress integrated circuit as specified in the applicable agreement. Any reproduction, modification, translation, compilation, or representation of this Source Code except as specified above is prohibited without the express written permission of Cypress.

Disclaimer: CYPRESS MAKES NO WARRANTY OF ANY KIND, EXPRESS OR IMPLIED, WITH REGARD TO THIS MATERIAL, INCLUDING, BUT NOT LIMITED TO, THE IMPLIED WARRANTIES OF MERCHANTABILITY AND FITNESS FOR A PARTICULAR PURPOSE. Cypress reserves the right to make changes without further notice to the materials described herein. Cypress does not assume any liability arising out of the application or use of any product or circuit described herein. Cypress does not authorize its products for use as critical components in life-support systems where a malfunction or failure may reasonably be expected to result in significant injury to the user. The inclusion of Cypress' product in a life-support systems application implies that the manufacturer assumes all risk of such use and in doing so indemnifies Cypress against all charges.

Use may be limited by and subject to the applicable Cypress software license agreement.