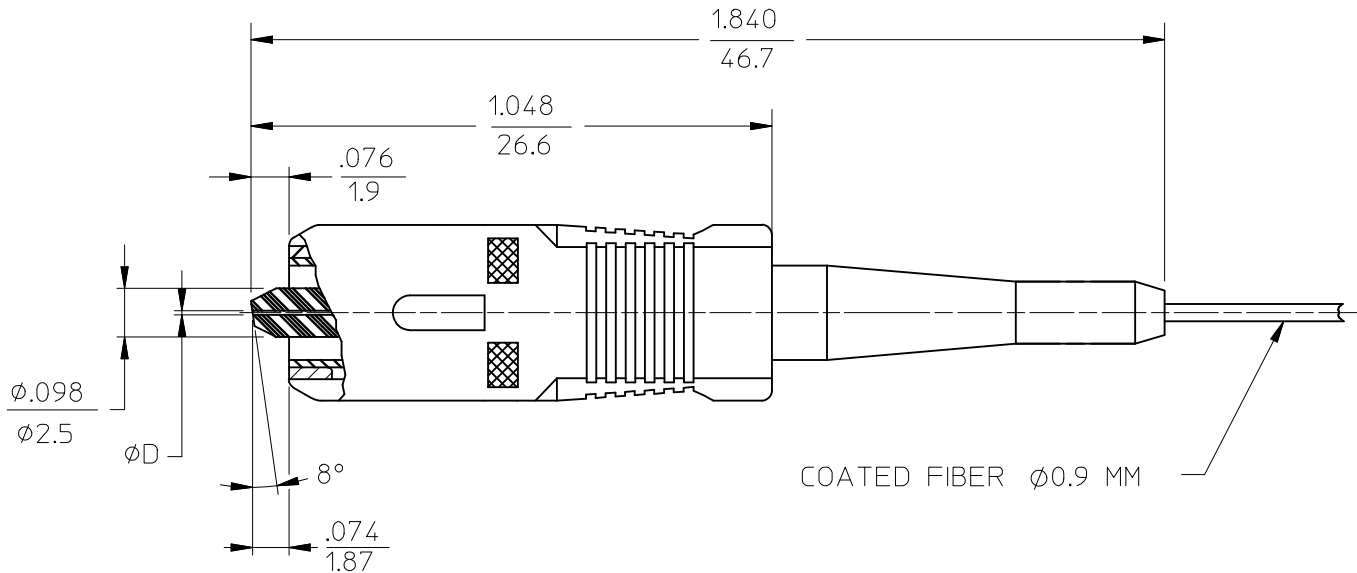
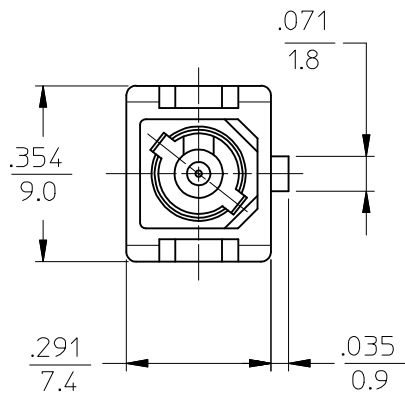


| CONNECTOR P/N | D (Hm) | FERRULE MATERIAL | COLOR of HOUSING AND BOOT |
|---------------|--------|------------------|---------------------------|
| 106065-2500 | 125.5 | Zr | GREEN |
| 106065-4500 | 125 | | |
| 106065-5500 | 126 | | |
| 106065-5510* | 126 | | |
| 106065-5510* | 127 | | |



NOTES:

*1. P/N 106065-5510 IS BULK PACKED IN QUANTITIES OF 100 PCS.

| | | | | | | | | | |
|---|--------------------------------|---|---|---------------------------------|--------------------------------|---|-------------------------------|--|--|
| ENTER DESCRIPTION EC NO: MF2009-0272 DRW: KPEVZNER 2008/12/09 CHKD: 2008/12/09 APPR: LGUMIN 2008/12/10 | QUALITY SYMBOLS | GENERAL TOLERANCES (UNLESS SPECIFIED) | | DIMENSION STYLE IN/MM | SCALE 1:1 | DESIGN UNITS INCH | THIRD ANGLE PROJECTION | | |
| | | 4 PLACES ± --- ± --- 3 PLACES ± --- ± --- 2 PLACES ± --- ± --- 1 PLACE ± --- ± --- | mm INCH ± --- ± --- ± --- ± --- ± --- ± --- ± --- ± --- | DRAWN BY PGIBLIN | DATE 2005/09/27 | TITLE SC APC BARE FIBER CONNECTOR | | | |
| | | ANGULAR ±1/2° | | APPROVED BY | DATE | MOLEX INCORPORATED | | | |
| | | DRAFT WHERE APPLICABLE MUST REMAIN WITHIN DIMENSIONS | | MATERIAL NO. SEE TABLE | DOCUMENT NO. SD-106065-X500 | SHEET NO. 1 OF 1 | | | |