

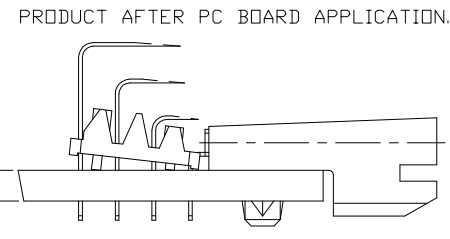
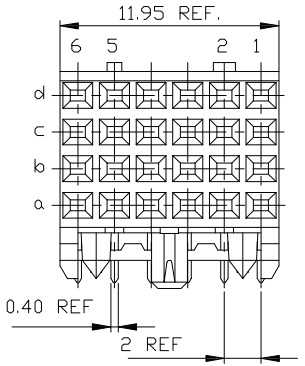
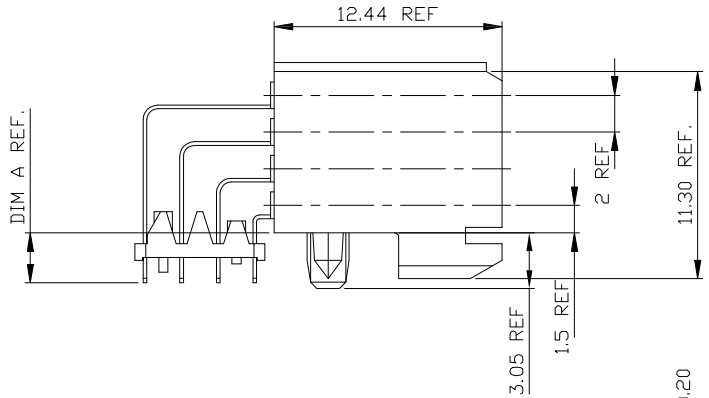
All rights strictly reserved. Reproduction or use without written authority from the proprietor.
 Tous droits strictement réservés. Reproduction ou communication à des tiers sans autorisation écrite du propriétaire.
 Property of F.C.I. S.A.
 © F.C.I. S.A.

PRODUCT NR:	ROW#	CONFIGURATION						DIM A	PCB THICKNESS
		1	2	3	4	5	6		
85867-X01 85867-X01LF	D	-	-	-	-	-	2.90	1.60	
	C	-	-	-	-	-			
	B	-	-	X	X	X			X
85867-X02 85867-X02LF	D	X	-	X	X	-	2.90	1.60	
	C	X	-	-	-	-			
	B	-	-	-	-	X			-
85867-X03 85867-X03LF	D	-	X	-	X	-	2.90	1.60	
	C	X	-	-	-	X			
	B	-	X	-	X	-			X
85867-X04 85867-X04LF	D	X	-	X	-	X	2.90	1.60	
	C	X	-	X	-	X			
	B	-	X	-	X	-			X

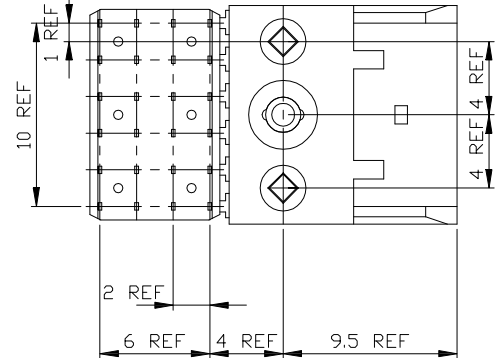
PRODUCT NR:	ROW#	CONFIGURATION						DIM A	PCB THICKNESS
		1	2	3	4	5	6		
85867-X05 85867-X05LF	D	X	X	X	X	X	2.90	1.60	
	C	X	X	X	X	X			
	B	X	X	X	X	X			-
85867-X06 85867-X06LF	D	X	X	-	X	-	2.90	1.60	
	C	X	X	-	X	-			
	B	X	X	-	X	-			X
85867-X07 85867-X07LF	D	X	-	X	X	X	2.90	1.60	
	C	X	-	X	X	X			
	B	X	-	X	X	X			X
85867-X08 85867-X08LF	D	X	-	X	-	X	2.90	1.60	
	C	X	-	X	-	X			
	B	-	X	-	X	-			X

PLATING CONTACT AREA:	
DASH NR:	PERFORMANCE LEVEL
-1YY/1YYLF	TELCORDIA CO
-2YY/2YYLF	CUSTOMER SPECIAL
-3YY/3YYLF	CUSTOMER SPECIAL

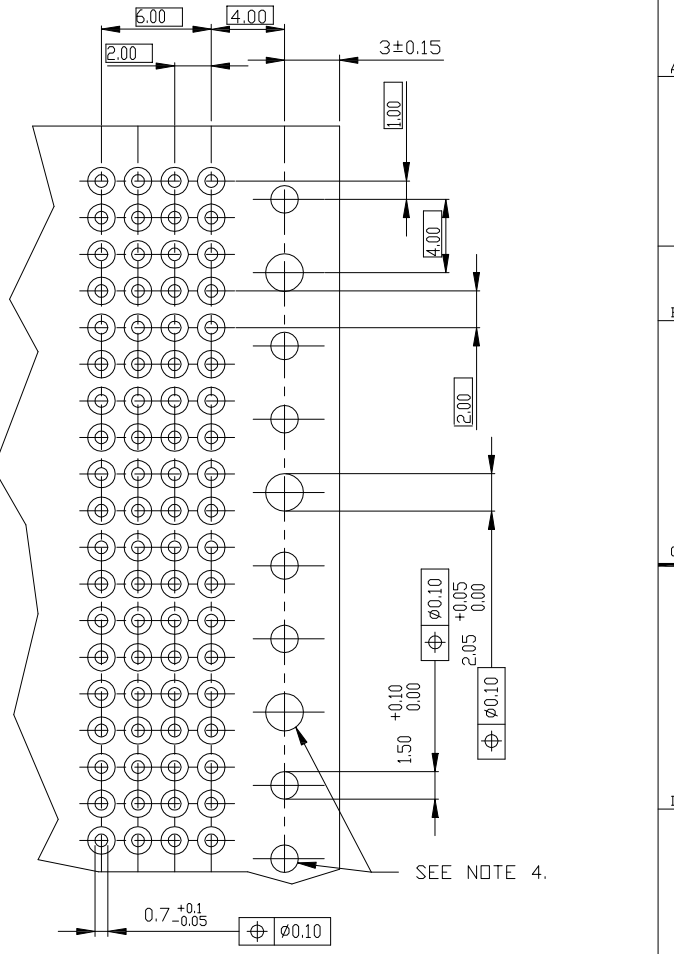
"-" POSITION NOT LOADED
 "X" POSITION LOADED



PC BOARD THICKNESS ±0.20
 SEE TABLE



- NOTES:
- BODY MAT'L: LIQUID CRYSTAL POLYMER 30% GLASS
FLAME RETARDANT ACC. UL 94-V0
 - TERMINAL MATERIAL: PHOSPHOR BRONZE.
 - PLATING SOLDER TAILS 2-8 um SnPb 90-97 OR 2-8 um PURE Sn FOR LEAD FREE.
 - INDICATED HOLES ARE UNPLATED.
 - PRODUCT MARKING: PART NUMBER & BATCH ID.
 - THIS PRODUCT MEETS EUROPEAN UNION DIRECTIVES AND OTHER COUNTRY REGULATIONS AS DESCRIBED IN GS-22-008.
 - THE HOUSING WILL WITHSTAND EXPOSURE TO 260 DEGREE PEAK TEMPERATURE FOR 10 SECONDS IN A WAVE SOLDER APPLICATION.



RECOMMENDED HOLE PATTERN, COMPONENT SIDE.

mat'l. code		tolerances unless otherwise specified		CUSTOMER CDPY		FCI	
SEE NOTES						www.ficonnection.com	
l	tr.ecn.nodr.date	linear		projection	title		
T	DG08-0171 TIER 8/26/08			⊕	4R RA RCP		
U	DG09-0068 Cenh 06/06/09				SG 12mm PRESS PEG		
V	DG10-0121 Cenh 03/16/10	angles			product family	METRAL(tm)	code
P	DG06-0318 Clu 060804	dir	R. VISSCHERS 940930	mm			213
R	DG06-0478 Cenh 11/23/06	engr	E. FELJEN 940930	scale			sheet
S	DG06-0169 Cenh 05/15/07	chr	E. FELJEN 940930	5:1	85867		1 of 4
sheet	revision	v	v	v			
index	sheet	1	2	3			

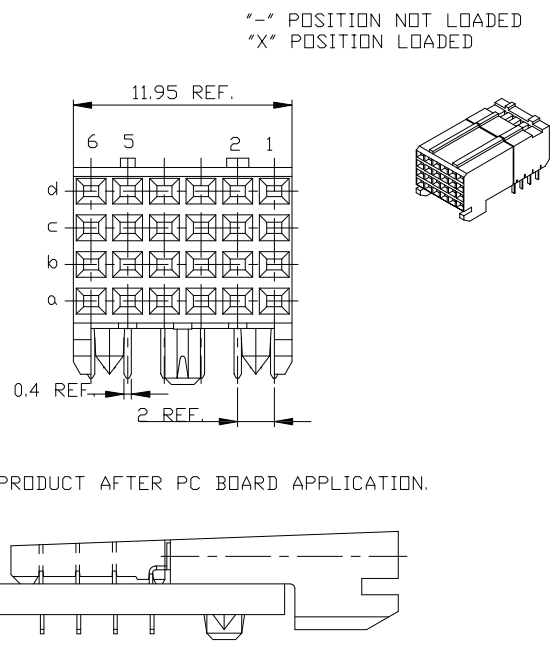
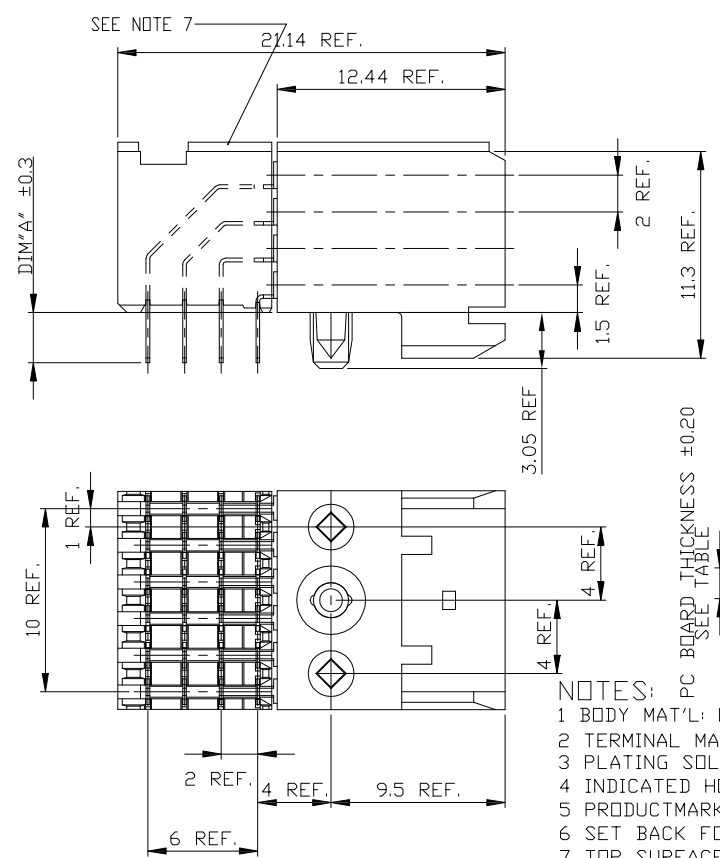
All rights strictly reserved. Reproduction or issue to third parties in any form without written authority from the proprietor.
 Tous droits strictement réservés. Reproduction ou communication à des tiers sans autorisation écrite du propriétaire.
 Property of F.C.I. nv.
 © F.C.I. nv.



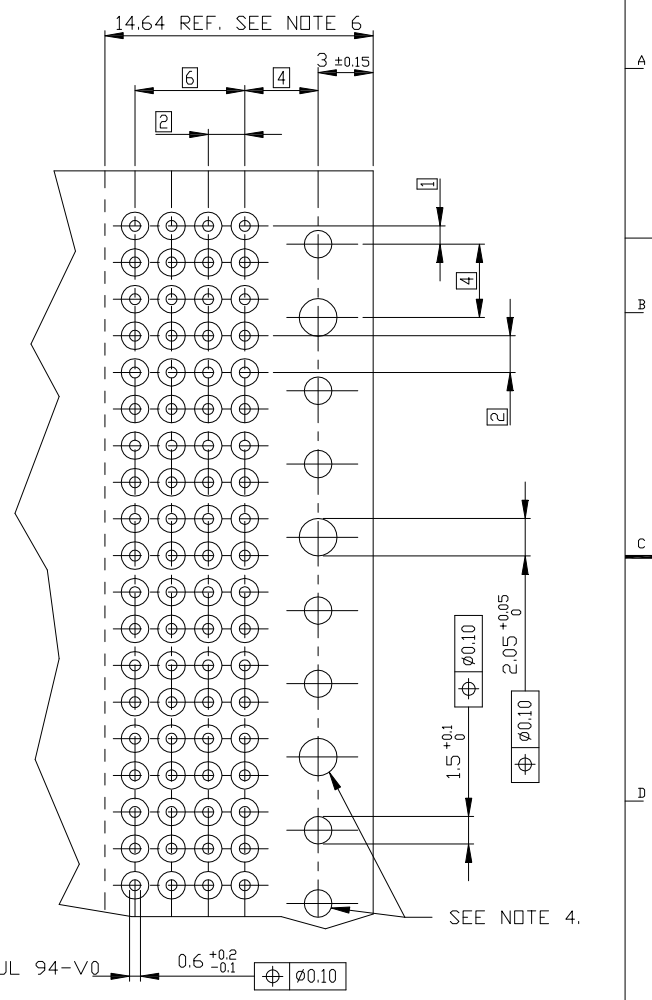
PRODUCT NR:	ROW#	CONFIGURATION						DIM A	PCB THICKNESS
		1	2	3	4	5	6		
85867-X20LF	D	-	-	-	-	-	-	2.90	1.60
	C	-	-	-	-	-	-		
	B	-	-	X	X	X	X		
85867-X21LF	D	X	X	-	X	X	-	2.90	1.60
	C	X	-	-	-	-	-		
	B	-	-	-	-	X	-		
85867-X22LF	D	-	X	-	X	-	-	2.90	1.60
	C	X	-	-	X	-	-		
	B	-	X	-	X	-	X		
85867-X23LF	D	X	-	X	-	X	-	2.90	1.60
	C	X	-	X	-	X	-		
	B	-	X	-	X	-	X		

PRODUCT NR:	ROW#	CONFIGURATION						DIM A	PCB THICKNESS
		1	2	3	4	5	6		
85867-X24LF	D	X	X	X	X	X	-	2.90	1.60
	C	X	X	X	X	X	-		
	B	X	X	X	X	X	-		
85867-X25LF	D	-	-	X	X	X	-	2.90	1.60
	C	X	X	-	X	-	-		
	B	X	X	-	X	-	X		
85867-X26LF	D	X	X	-	X	-	X	2.90	1.60
	C	X	-	X	X	X	X		
	B	X	-	X	X	X	X		
85867-X27LF	D	X	-	X	-	X	X	2.90	1.60
	C	X	-	X	-	X	X		
	B	-	X	-	X	-	X		

PLATING CONTACT AREA:	
DASH NR:	PERFORMANCE LEVEL
-1YY/1YYLF	TELCORDIA CO
-2YY/2YYLF	CUSTOMER SPECIAL
-3YY/3YYLF	CUSTOMER SPECIAL



- NOTES:
- 1 BODY MAT'L: LIQUID CRYSTAL POLYMER 30% GLASS FIBRE FLAME RETARDANT ACC. UL 94-V0
 - 2 TERMINAL MATERIAL: PHOSPHOR BRONZE.
 - 3 PLATING SOLDER TAILS 2-8 um SnPb 90-97 OR 2-8 um PURE Sn FOR LEAD FREE.
 - 4 INDICATED HOLES ARE UNPLATED.
 - 5 PRODUCT MARKING: PARTNUMBER & BATCH ID.
 - 6 SET BACK FOR PRESS BLOCK.
 - 7 TOP SURFACE OF PRESS BLOCK MAY EXTEND UP TO 0.4MM HIGHER THAN HOUSING. THIS MAY AFFECT THE TAIL LENGTH BEFORE APPLICATION TO A BOARD
 - 8 THIS PRODUCT MEETS EUROPEAN UNION DIRECTIVES AND OTHER COUNTRY REGULATIONS AS DESCRIBED IN GS-22-008
 - 9 THE HOUSING WILL WITHSTAND EXPOSURE TO 260DEGREE PEAK TEMPERATURE FOR 10 SECONDS IN A WAVE SOLDER APPLICATION.



mat'l. code	tolerances unless otherwise specified	CUSTOMER CDPY		
SEE NOTES				
ltr/ecn no/dr date	linear	projection	title	
v	angles		4R RA RCP SG	
	dr VISSCHERS IB 980514	mm	product family	METRAL(tm)
	engr M LOMAN 980514	←	size/dwg no	code 213
	chr M LOMAN 980514	scale	A2	85867
	app H COOLMANS 980514	5:1	sheet	2 of 2
sheet index	revision sheet			

Tous droits strictement réservés. Reproduction ou communication à des tiers sans autorisation écrite du propriétaire. Property of F.C.I. bv. © F.C.I. bv.

All rights strictly reserved. Reproduction or issue to third parties in any form without written authority from the proprietor. Property of F.C.I. bv. © F.C.I. bv.



PRODUCT NR:	ROW#	CONFIGURATION						DIM A	PCB THICKNESS
		1	2	3	4	5	6		
85867-X28LF	D	X	-	X	-	X	-	2.90	1.60
	C	-	X	-	X	-	X		
	B	X	-	X	-	X	-		
	A	-	X	-	X	-	X		

PRODUCT NR:	ROW#	CONFIGURATION						DIM A	PCB THICKNESS
		1	2	3	4	5	6		
85867-X29LF	D	-	X	-	X	-	X	2.90	1.60
	C	-	X	-	X	-	X		
	B	-	X	-	X	-	X		
	A	-	X	-	X	-	X		
85867-X201LF	D	X	X	X	X	X	X	2.90	1.60
	C	X	X	X	X	X	X		
	B	-	-	-	-	-	-		
	A	X	X	X	X	X	X		

"-" POSITION NOT LOADED
 "X" POSITION LOADED

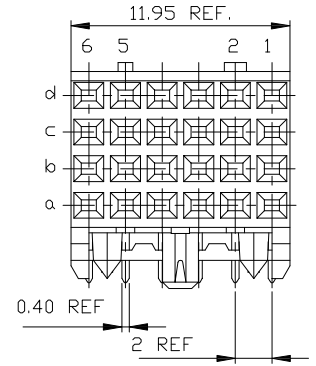
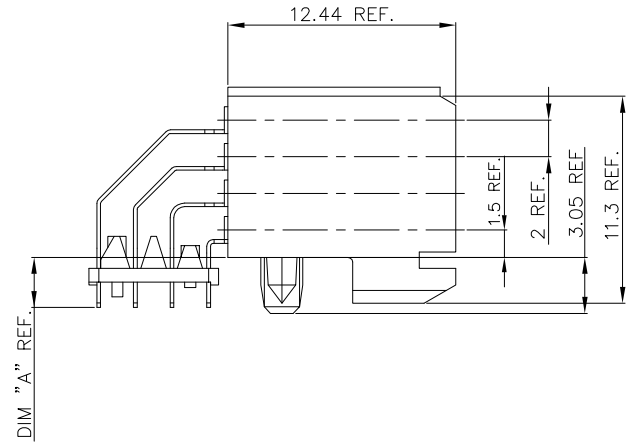
nat'l. code SEE NOTES		tolerances unless otherwise specified		CUSTOMER CDPY		 www.fciconnection.com	
ltr	ecn	no	date	linear	projection	title 4R RA RCP SG 12mm PRESS PEG	
				angles		product family (tm)	
		dr	VISSCHERS IB	980514	mm	size	dwg no
		engr	M LOMAN	980514	scale	A2	85867
		chr	M LOMAN	980514	5:1	code	213
		appd	COOLJMANS	980514		sheet	3 of-
sheet	revision						
index	sheet						

All rights strictly reserved. Reproduction or use in any form without written authority from the proprietor.
 Tous droits strictement réservés. Reproduction ou utilisation o des tiers sans autorisation écrite du propriétaire.
 Property of F.C.I. Inc. © F.C.I. Inc.

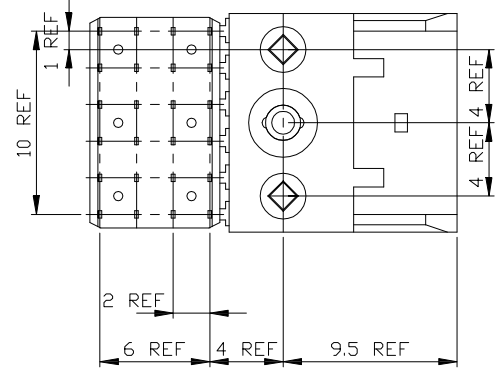
PRODUCT NR:	ROW#	CONFIGURATION						DIM A	PCB THICKNESS
		1	2	3	4	5	6		
85867-X30 85867-X30LF	D	-	-	-	-	-	2.90	1.60	
	C	-	-	-	-	-			
	B	-	-	X	X	X			X
85867-X31 85867-X31LF	D	X	-	X	X	-	2.90	1.60	
	C	X	-	-	-	-			
	B	-	-	-	-	X			-
85867-X32 85867-X32LF	D	-	X	-	X	-	2.90	1.60	
	C	X	-	-	-	X			
	B	-	X	-	X	-			X
85867-X33 85867-X33LF	D	X	-	X	-	X	2.90	1.60	
	C	X	-	X	-	X			
	B	-	X	-	X	-			X

PRODUCT NR:	ROW#	CONFIGURATION						DIM A	PCB THICKNESS
		1	2	3	4	5	6		
85867-X34 85867-X34LF	D	X	X	X	X	X	2.90	1.60	
	C	X	X	X	X	X			
	B	X	X	X	X	X			-
85867-X35 85867-X35LF	D	X	X	-	X	-	2.90	1.60	
	C	X	X	-	X	-			
	B	X	X	-	X	-			X
85867-X36 85867-X36LF	D	X	-	X	X	X	2.90	1.60	
	C	X	-	X	X	X			
	B	X	-	X	X	X			X
85867-X37 85867-X37LF	D	X	-	X	-	X	2.90	1.60	
	C	X	-	X	-	X			
	B	-	X	-	X	-			X

"-" POSITION NOT LOADED
 "X" POSITION LOADED



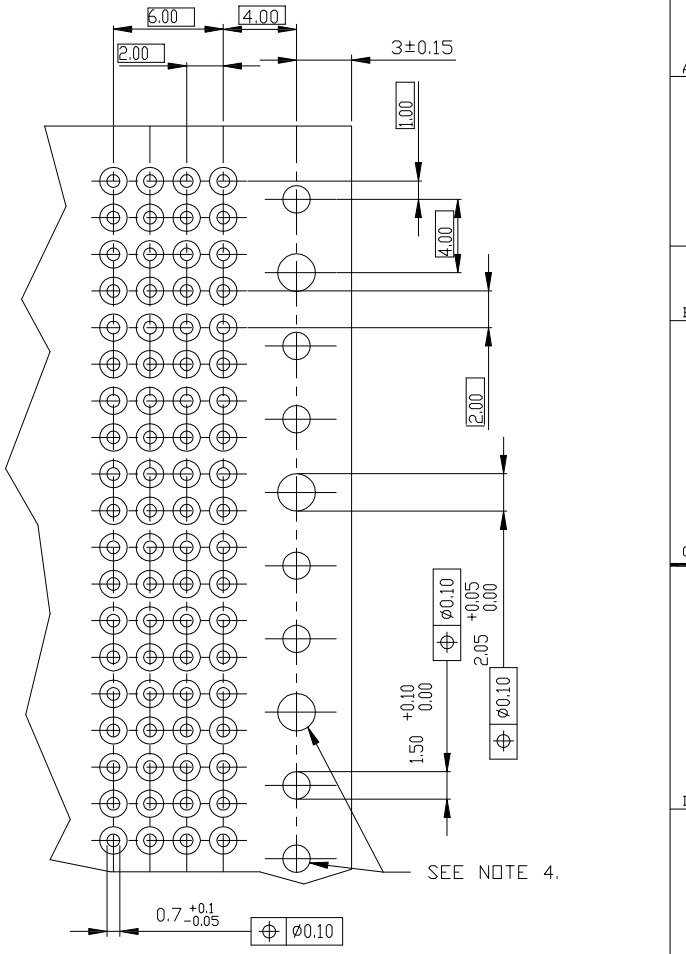
PRODUCT AFTER PC BOARD APPLICATION.



PC BOARD THICKNESS ±0.20
SEE TABLE

- NOTES:
- BODY MAT'L: LIQUID CRYSTAL POLYMER 30% GLASS FLAME RETARDANT ACC. UL 94-V0
 - TERMINAL MATERIAL: PHOSPHOR BRONZE.
 - PLATING SOLDER TAILS 2-8 um SnPb 90-97 OR 2-8 um PURE Sn FOR LEAD FREE.
 - INDICATED HOLES ARE UNPLATED.
 - PRODUCT MARKING: PART NUMBER & BATCH ID.
 - THIS PRODUCT MEETS EUROPEAN UNION DIRECTIVES AND OTHER COUNTRY REGULATIONS AS DESCRIBED IN GS-22-008.
 - THE HOUSING WILL WITHSTAND EXPOSURE TO 260 DEGREE PEAK TEMPERATURE FOR 10 SECONDS IN A WAVE SOLDER APPLICATION.

PLATING CONTACT AREA:	
DASH NR:	PERFORMANCE LEVEL
-1YY/1YYLF	TELCORDIA CO
-2YY/2YYLF	CUSTOMER SPECIAL
-3YY/3YYLF	CUSTOMER SPECIAL



RECOMMENDED HOLE PATTERN, COMPONENT SIDE.

SEE NOTE 4.

mat'l. code	tolerances unless otherwise specified	CUSTOMER CDPY	
SEE NOTES			
ltr.ecn no.dr date	linear	projection	title
v	angles		4R RA RCP SG 12mm PRESS PEG
dr Heaven Cen 11/23/06	engr Collins Lu 11/23/06	scale	product family METRAL(tm)
chr Beer Fu 11/23/06	app Joseph Hsla 11/23/06	5:1	code 213
sheet	revision		size dwg no
index	sheet		85867
			sheet 4 of -