

MATERIALS AND FINISHES

BODY, PIN, JAM NUT: BRASS
PLATED: NICKEL

POST: BRASS
PLATED: BRIGHT TIN

CENTER CONTACT: BeCu
PLATED: GOLD

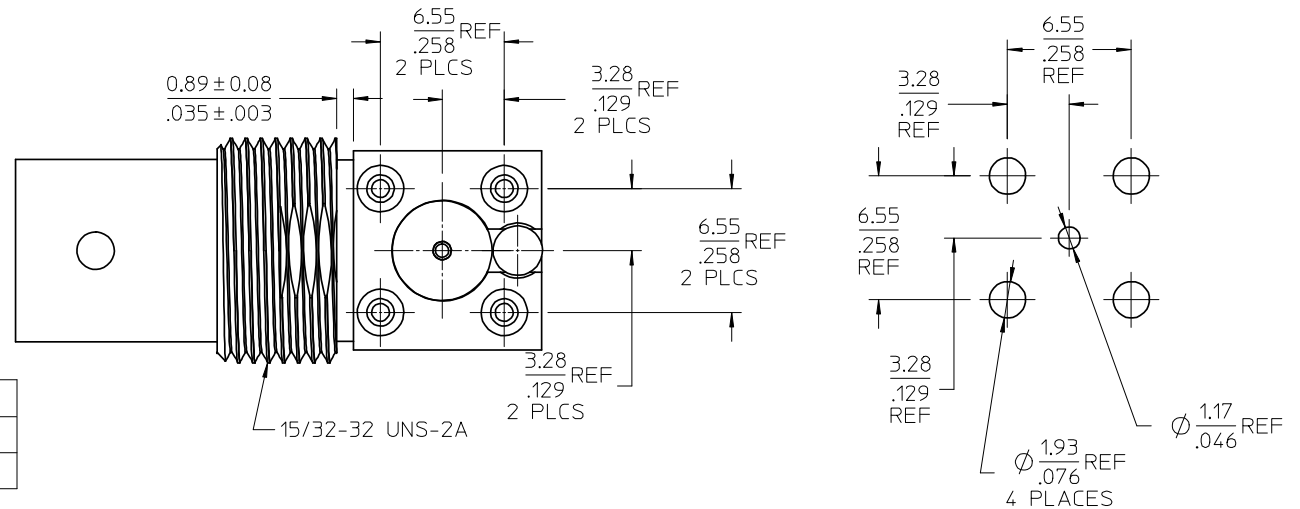
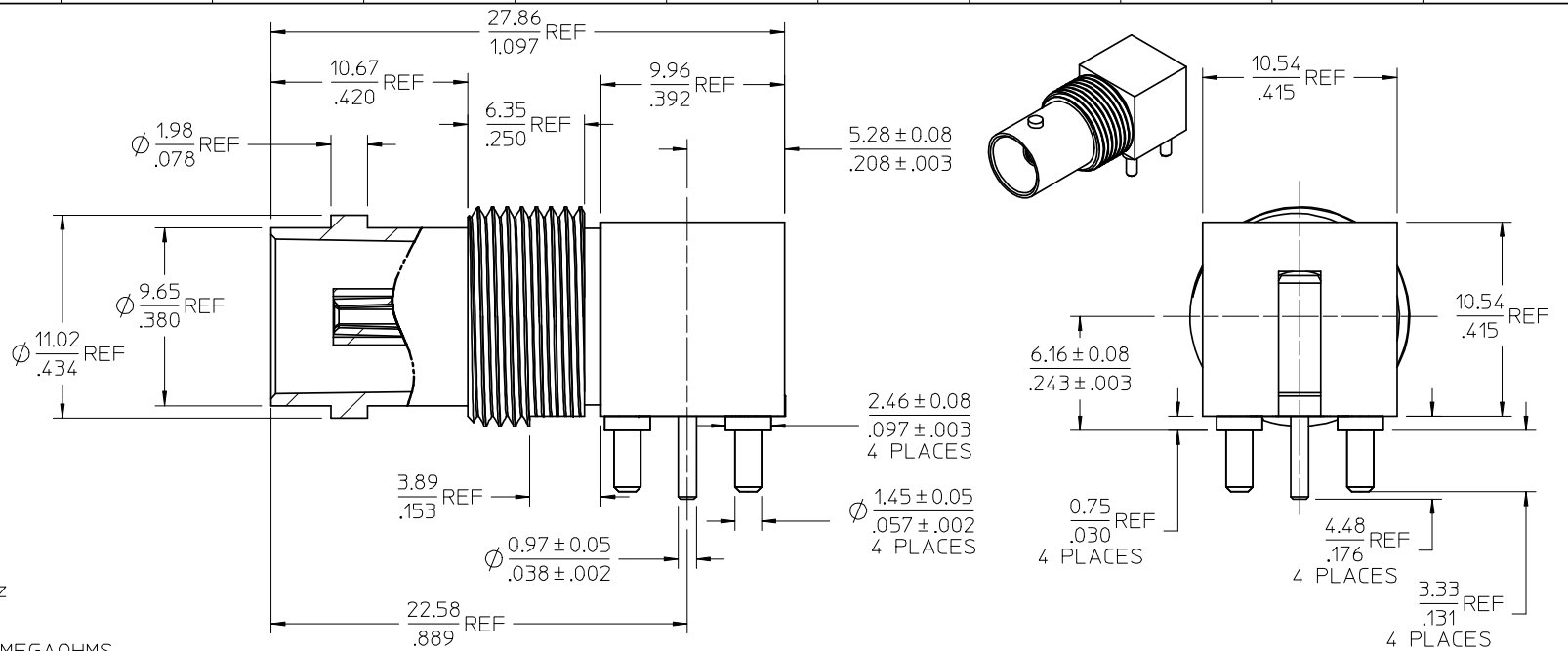
LOCK WASHER: STEEL
PLATED: NICKEL

INSULATOR: TEFLON

ELECTRIC PERFORMANCE

FREQUENCY RANGE: DC - 2 GHz
VOLTAGE RATING: 500 VRMS
INSULATION RESISTANCE: 5000 MEGAOHMS
CONTACT RESISTANCE:

OUTER: 0.2 MILLIOHMS MAX
CENTER: 1.5 MILLIOHMS MAX



RECOMMENDED PCB LAYOUT

73171-1981	HARDWARE INCLUDED
73171-1980	CONNECTOR ONLY
PART NUMBER	DESCRIPTION

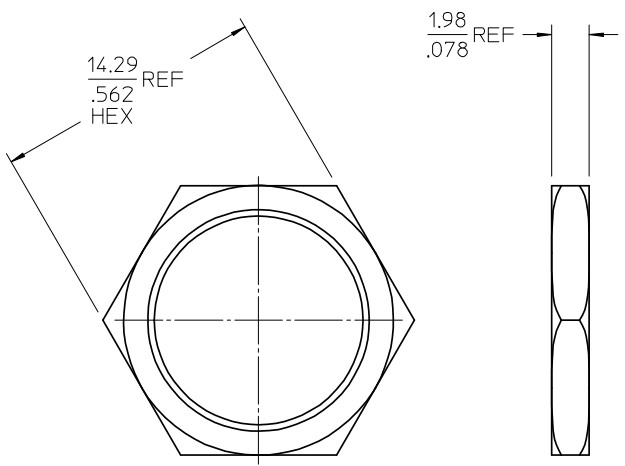
PS-89675-2020	PRODUCT SPECIFICATION
SPECIFICATION	DESCRIPTION

CHG: ADDED -1981 WITH JAM NUT AND LOCK WASHER EC NO: URF2009-0061 DRWN: JLE02 2008/08/06 CHKD: SSS 2008/08/06 APPR: JWIENER 2008/08/06 REV: A3	QUALITY SYMBOLS ▽=0 ▽=0
	DESCRIPTION

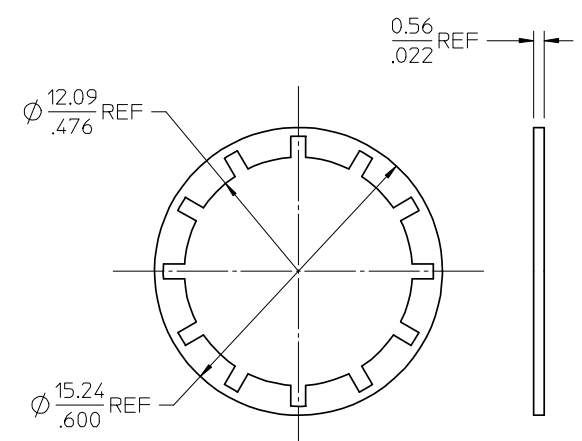
GENERAL TOLERANCES (UNLESS SPECIFIED) 4 PLACES ± --- ± --- 3 PLACES ± --- ± --- 2 PLACES ± --- ± --- 1 PLACE ± --- ± --- ANGULAR ± 2 ° DRAFT WHERE APPLICABLE MUST REMAIN WITHIN DIMENSIONS

DIMENSION STYLE MM/IN DRAWN BY: SSS CHECKED BY: TEF APPROVED BY: GMH MATERIAL NO.: SEE TABLE SIZE: C	DATE: 2003/05/21 DATE: 2003/05/21 DATE: 2003/05/20
--	--

SCALE: METRIC DESIGN UNITS: METRIC THIRD ANGLE PROJECTION	TITLE: BNC JACK BULKHEAD, R/A PCB 75 OHMS, EWR2022 BNC-J/RA/BK/PCB MOLEX INCORPORATED DOCUMENT NO.: SD-73171-198 SHEET NO.: 1 OF 2
---	---



JAM NUT



LOCK WASHER

CHG: SEE SHEET 1	QUALITY SYMBOLS
EC NO: URF2009-0061	▼=0
DRWN:JLEE02 2008/08/06	▽=0
CHKD:SSS 2008/08/06	
APPR:JWIENER 2008/08/06	
REV	DESCRIPTION
A3	

GENERAL TOLERANCES (UNLESS SPECIFIED)	
	mm INCH
4 PLACES	± .005 ± .0005
3 PLACES	± .005 ± .0005
2 PLACES	± .005 ± .0005
1 PLACE	± .005 ± .0005
ANGULAR ± 2 °	
DRAFT WHERE APPLICABLE MUST REMAIN WITHIN DIMENSIONS	

DIMENSION STYLE	
MM/IN	
DRAWN BY	DATE
SSS	2003/05/21
CHECKED BY	DATE
TEF	2003/05/21
APPROVED BY	DATE
GMH	2003/05/20
MATERIAL NO.	
SEE SHEET 1	

SCALE	DESIGN UNITS	THIRD ANGLE PROJECTION
	METRIC	
TITLE		
BNC JACK BULKHEAD, R/A		
PCB 75 OHMS, EWR2022		
BNC-J/RA/BK/PCB		
MOLEX INCORPORATED		
DOCUMENT NO.	SHEET NO.	
SD-73171-198	2 OF 2	
THIS DRAWING CONTAINS INFORMATION THAT IS PROPRIETARY TO MOLEX INCORPORATED AND SHOULD NOT BE USED WITHOUT WRITTEN PERMISSION		