

NOTES:

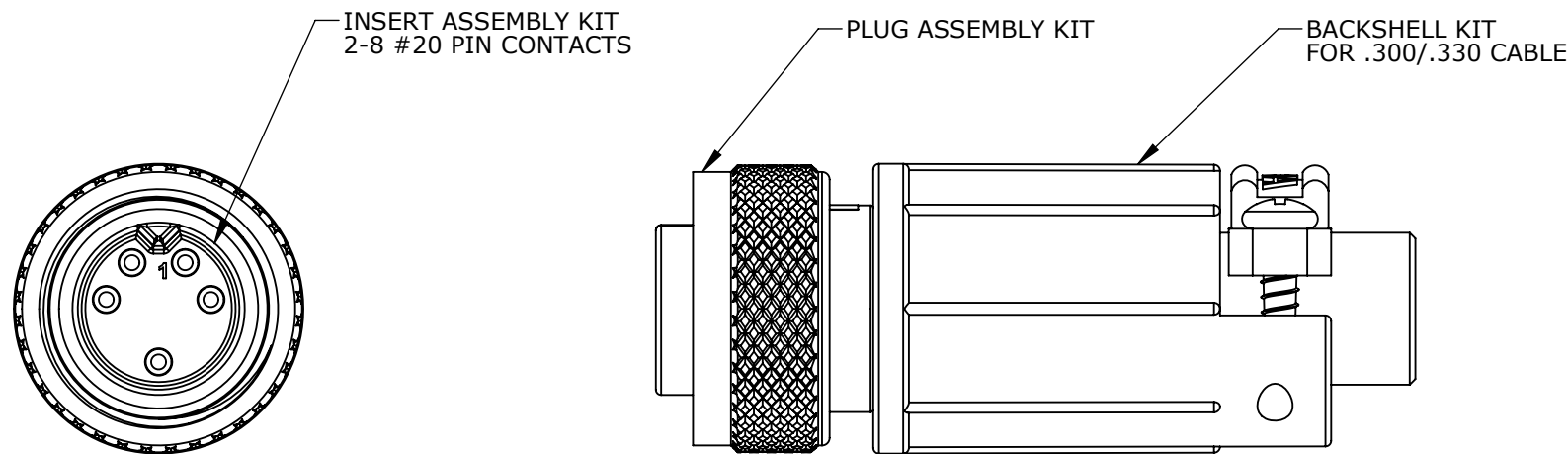
1. ALL PARTS ARE TO BE PLACED IN 5 IN. X 7 IN. POLY BAG WITH INSTRUCTION SHEET.
2. LABEL TO BE MARKED WITH PART NUMBER AND DATE CODE.

CABLE END WITH PIN CONTACTS PART NUMBERS:

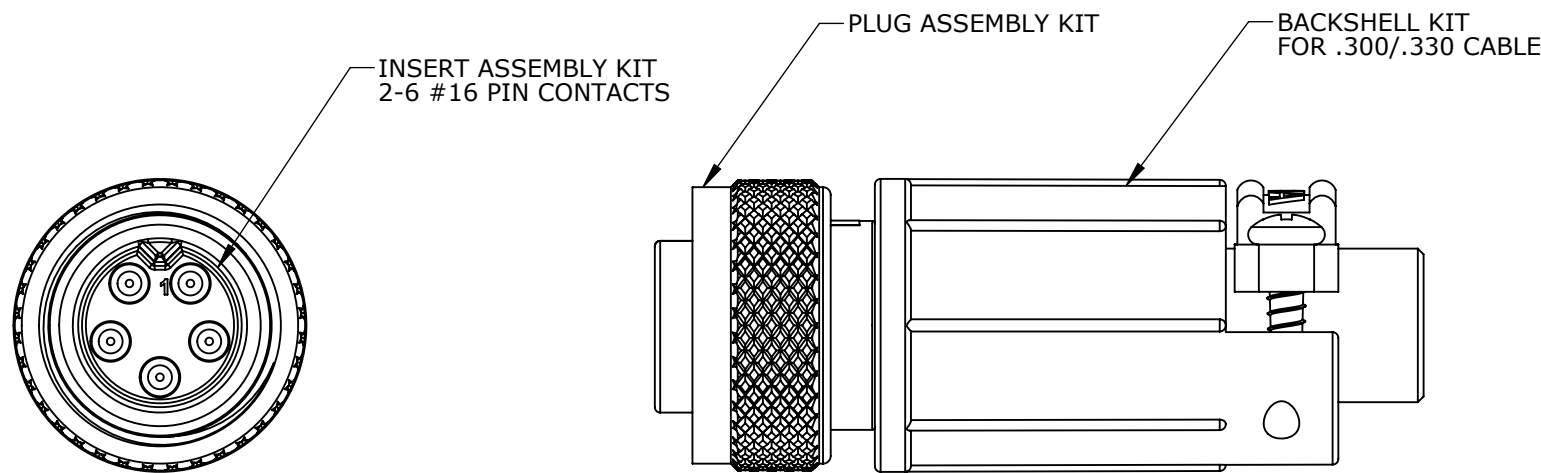
**S F 6 X 8 2 - X P G - 5 3 0**

CONTACT SIZE  
2- #20 PINS  
3- #16 PINS

# OF CONTACTS  
2-8 FOR #20 PINS  
2-6 FOR #16 PINS



**CABLE END SF6282-5PG-530, (5) #20 PINS SHOWN**



**CABLE END SF6382-5PG-530, (5) #16 PINS SHOWN**


**CUSTOMER APPROVAL**

THIS DOCUMENT CONTAINS CONFIDENTIAL INFORMATION PROPRIETARY TO CONXALL CORPORATION. ANY REPRODUCTION, DISCLOSURE, OR USE OF THIS DOCUMENT /INFORMATION IS EXPRESSLY PROHIBITED UNLESS AUTHORIZED IN WRITING BY CONXALL CORPORATION.

APPROVED BY: \_\_\_\_\_

DATE: \_\_\_\_\_

**RoHS COMPLIANT**

A	AN	12-13-11	DRAWING CREATED PER DOR 11-E149SL	
REV.	INIT.	DATE	DESCRIPTION	
	AN	12-12-11	ORIG. DRAWN BY: AN DATE: 12-12-11 CHECKED BY: APPROVED BY:	
ALL INFORMATION ILLUSTRATED IS THE PROPERTY OF "CONXALL CORPORATION." UNAUTHORIZED DUPLICATION OR DISTRIBUTION OF THIS DOCUMENT IS PROHIBITED.			 601 E. WILDWOOD VILLA PARK, IL 60181	
ALL UNITS ARE IN FEET, INCHES, FRACTION OF INCHES AND DECIMALS.				
SCALE	SIZE	SHEET	TITLE:	
NTS	B	1 OF 1	#16 & #20 PIN CONTACTS, FOR .330 CABLE SHIELDED MINI-CON-X	
FILE:	DIRECTORY:	PART NUMBER:	CUSTOMER: STANDARD PRODUCT	
SF6X82-XPG-530	SLW	SF6X82-XPG-530		
- CRITICAL CHARACTERISTIC FLAG PER SPEC. XXXX				REV A

CUSTOMER PRINT

PART NUMBER: SF6X82-XPG-530