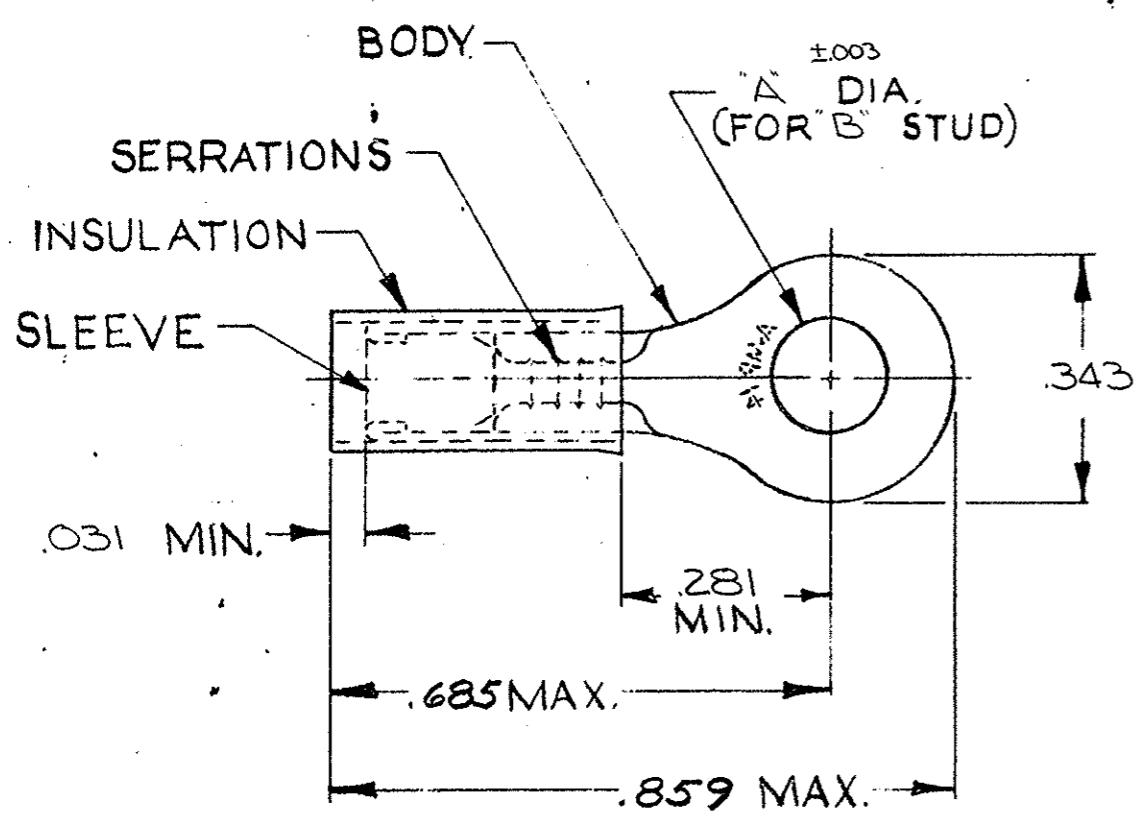


© 1967 BY AMP INCORPORATED. ALL RIGHTS RESERVED. AMP PRODUCTS COVERED BY PATENTS AND/OR PATENTS PENDING.

REVISIONS				
ZONE	LTR	DESCRIPTION	DATE	APPROVED
	B	REDRAWN & REV P-6077	LE 7-29-69	FCY
	C	REVISED PC-5579	WM 10-8-70	Jme
	D	ADDED TAP NO'S & REV PC-5578	Jm 7-6-71	FCY
	E	REVISED F-621	TR 8-23-73	Jm
	F	REVISED PC-5578	TC 2-23-77	L.D
	G	OBSOLETE -3 PER G-0465	9/22/87	GS jgm
	H	OBSOLETE -2 PER G-2927	5/6/88	GY
	J	REV/0610-0094-98	2-5-99	MB/ms
	J1	REV PER ECR 05-013140	10/20/05	KR/Tm



FOR .080 TO .150 WIRE INSULATION DIA.
TONGUE MATERIAL THK. = .031 ±.002

NOTE:
1. STAMPING MAY BE ON TOP OR BOTTOM.

TABLE I


1	WIRE TERMINAL	SEE TABLE II	BODY: COPPER (ASTM B152)		
			NICKEL PL (QQ-N-290)		
			.0003 AVG. EXT. THK.		
			SLEEVE: COPPER (ASTM B152)		
			NICKEL PL (QQ-N-290). 00003		
			AVG. EXT. THK.		
			INSULATION: TEFLON (ASTM-D3295)		
			COLOR: WHITE		
QTY	DESCRIPTION	PART NO.	MATERIAL & FINISH		
UNLESS OTHERWISE SPECIFIED DIMENSIONS ARE IN INCHES		CONTRACT NO. 11	 AMP INCORPORATED HARRISBURG, PENNSYLVANIA		
TOLERANCES ON:		DR. G. Epler 7-25-69			
DECIMALS ±.008		CHK R. Youngblood 7-29-69			
ANGLES ± 5°		APPD L. Wilhel 8-6-69			
MATERIAL		REL Jm Erasmus 8-6-69			
SEE TABLE I		DSGN APPD	NAME	WIRE TERMINAL	
		OTHER APPD	PIDG™ - STRATO-THERM - RING TONGUE		
			WIRE SIZE: 14		
			SIZE	CODE IDENT NO.	NUMBER
			B	00779	50840
			SCALE	SHEET 10F1	
			NTS		

TABLE II

50840-1	.197	10	50840-3	OBSOLETE
50840	.171	8	50840-2	OBSOLETE
PART NO.	"A"	"B"	PART NO ON TAP	