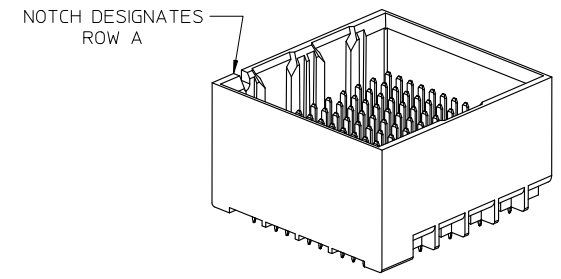


KEEP-OUT ZONE
 UNGUIDED BACKPLANE HOLE PATTERN (CONNECTOR SIDE) SEE NOTE 9
 SEE PART NUMBER CHART AND PART NUMBER LOGIC (12 HOLES PER COLUMN)
 $\varnothing \ 0.10$

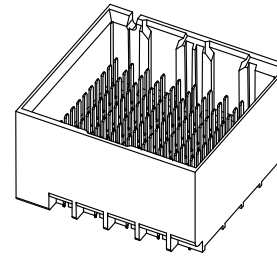


- NOTES:
- MATERIALS: HOUSING - LIQUID CRYSTAL POLYMER (LCP)
GLASS-FILLED, UL94V-0
TERMINALS - HIGH PERFORMANCE COPPER ALLOY
 - FINISH: 10 MNCH MIN GOLD IN CONTACT AREA,
SELECTIVE MATTE TIN (LEAD-FREE) ON PCB TAILS, NICKEL OVERALL.
 - REFER TO MOLEX PRODUCT SPECIFICATION PS-76060-999 FOR PERFORMANCE SPECIFICATIONS AND ADDITIONAL PCB INFORMATION.
 - THIS PART CONFORMS TO CLASS B REQUIREMENTS OF MOLEX COSMETIC SPEC PS-45499-002.
 - PARTS PACKAGED PER PK-70873-7701.
 - SEE SHEETS 2 & 3 FOR PART NUMBERS AND BOARD RELATIONSHIPS.
 - MATES WITH IMPACT DC SERIES NO. 76160.
 - REFER TO MOLEX PCB ROUTING GUIDE AS-76060-990 FOR ANTIPAD AND ROUTING RECOMMENDATIONS.
 - *THESE DIMENSIONS REPRESENT THE AREA NEEDED TO ACCOMMODATE CONNECTOR INSERTION AND REPAIR ON THE PC BOARD. THIS IS REFERRED TO AS THE "CONNECTOR KEEP OUT ZONE" AND DOES NOT REPRESENT THE ACTUAL PERIMETER OF THE CONNECTOR. WHEN LAYING OUT A PC BOARD FOR CONNECTORS STACKED TOGETHER, USE A 1.9mm PROGRESSION.*

MINOR CHANGE EC NO: UCP2012-3822 2012/05/22 DRAWINGS CHKD: APPR:RNELSON 2012/06/04	QUALITY SYMBOLS ▽=0 ▽=0 ▽=0	GENERAL TOLERANCES (UNLESS SPECIFIED)		DIMENSION STYLE MM ONLY		SCALE 4:1	DESIGN UNITS METRIC	THIRD ANGLE PROJECTION		
			mm	INCH	DRAWN BY JB INGHAM	DATE 2011/11/17	IMPACT 4 PAIR BACKPLANE UNGUIDED ASSEMBLY SALES DRAWING molex			
		4 PLACES ± ---	± ---	± ---	CHECKED BY JLAURX	DATE 2011/11/17				
		3 PLACES ± ---	± ---	± ---	APPROVED BY JLAURX	DATE 2011/12/02				
			2 PLACES ± 0.13	± ---	± ---	MATERIAL NO. SEE CHART		DOCUMENT NO. SD-171294-0001	SHEET NO. 1 OF 3	
			1 PLACE ± 0.25	± ---	± ---	THIS DRAWING CONTAINS INFORMATION THAT IS PROPRIETARY TO MOLEX INCORPORATED AND SHOULD NOT BE USED WITHOUT WRITTEN PERMISSION				
			0 PLACE ±	±	±					
			ANGULAR ±1/2°							
			DRAFT WHERE APPLICABLE MUST REMAIN WITHIN DIMENSIONS							

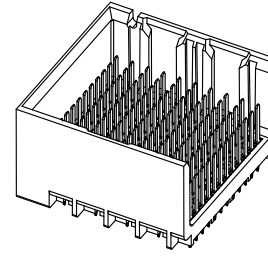
PART NUMBER CHART

MATERIAL NUMBER	# OF COLUMNS	# OF DIFF PAIR	DIM "A"	DIM "B"	DUAL END WALL OPTION
171294-132*	6	24	14.1	9.50	
171294-182*	8	32	17.9	13.30	
171294-112*	10	40	21.7	17.10	
171294-162*	16	64	33.1	28.50	



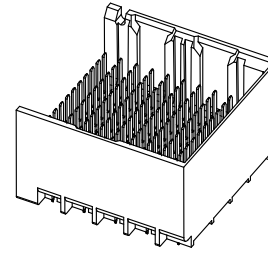
DUAL END
WALL OPTION

MATERIAL NUMBER	# OF COLUMNS	# OF DIFF PAIR	DIM "A"	DIM "B"	LEFT END WALL OPTION
171294-131*	6	24	12.7	9.50	
171294-181*	8	32	16.5	13.30	
171294-111*	10	40	20.3	17.10	
171294-161*	16	64	31.7	28.50	



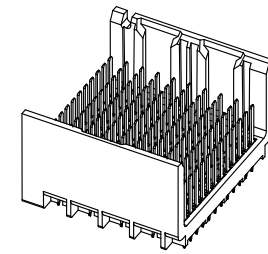
LEFT END
WALL OPTION

MATERIAL NUMBER	# OF COLUMNS	# OF DIFF PAIR	DIM "A"	DIM "B"	RIGHT END WALL OPTION
171294-133*	6	24	12.7	9.50	
171294-183*	8	32	16.5	13.30	
171294-113*	10	40	20.3	17.10	
171294-163*	16	64	31.7	28.50	



RIGHT END
WALL OPTION

MATERIAL NUMBER	# OF COLUMNS	# OF DIFF PAIR	DIM "A"	DIM "B"	OPEN WALL OPTION
171294-130*	6	24	11.3	9.50	
171294-180*	8	32	15.1	13.30	
171294-110*	10	40	18.9	17.10	
171294-160*	16	64	30.4	28.50	



OPEN
WALL OPTION

PART NUMBER LOGIC

171294-****

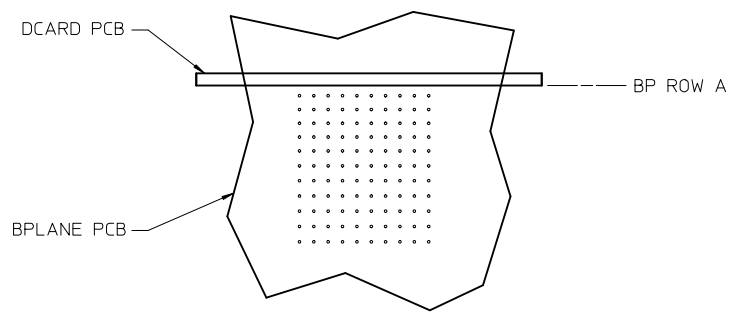
MODULE TYPE
1 = UNGUIDED, MATTE TIN

PIN LENGTH (P)
 3 = 4.50 (SHORT COMPLIANT, 0.46±0.05 PTH)
 4 = 4.90 (SHORT COMPLIANT, 0.46±0.05 PTH)
 5 = 5.50 (SHORT COMPLIANT, 0.46±0.05 PTH)
 6 = 4.50 (MICRO COMPLIANT, 0.39±0.05 PTH)
 7 = 4.90 (MICRO COMPLIANT, 0.39±0.05 PTH)
 8 = 5.50 (MICRO COMPLIANT, 0.39±0.05 PTH)

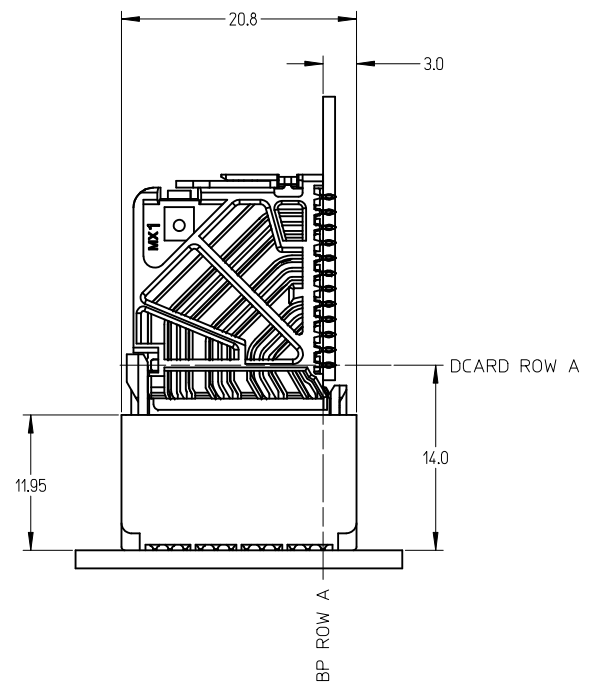
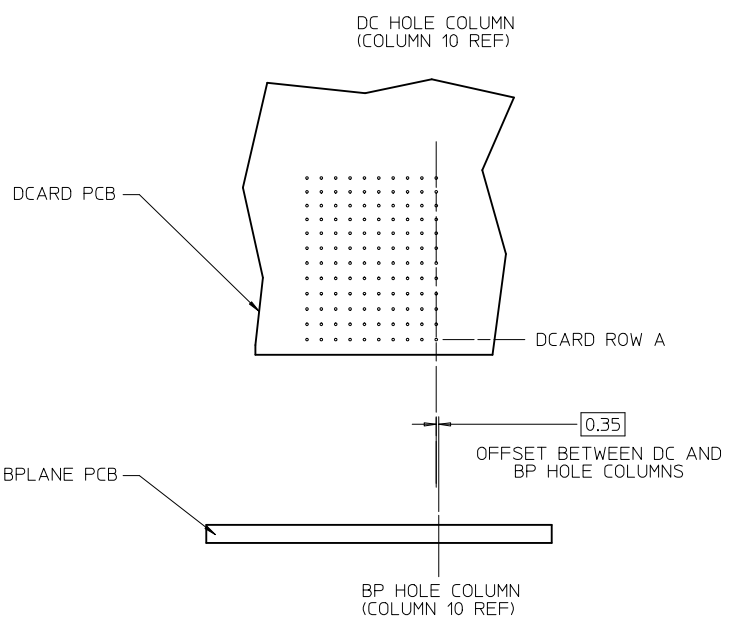
OF COLUMNS
 1 = 10 COL
 3 = 6 COL
 6 = 16 COL
 8 = 8 COL

END WALL OPTIONS
 0 = OPEN ENDS
 1 = LEFT END WALL
 2 = DUAL END WALL
 3 = RIGHT END WALL

SEE SHEET 1 EC NO: UCP2012-3822 DRAWINGS CHKD: APPR:RNELSON	DESCRIPTION 2012/05/22 2012/06/04	QUALITY SYMBOLS ▽=0 ▽=0 ▽=0	GENERAL TOLERANCES (UNLESS SPECIFIED)		DIMENSION STYLE MM ONLY	SCALE 2.5:1	DESIGN UNITS METRIC	THIRD ANGLE PROJECTION
			mm	INCH	DRAWN BY JB INGHAM	DATE 2011/11/17	TITLE IMPACT 4 PAIR BACKPLANE UNGUIDED ASSEMBLY SALES DRAWING	
DRAFT WHERE APPLICABLE MUST REMAIN WITHIN DIMENSIONS			ANGULAR ±1/2°		APPROVED BY JLAURX		DATE 2011/12/02	
			SEE CHART		DOCUMENT NO. SD-171294-0001		SHEET NO. 2 OF 3	
THIS DRAWING CONTAINS INFORMATION THAT IS PROPRIETARY TO MOLEX INCORPORATED AND SHOULD NOT BE USED WITHOUT WRITTEN PERMISSION								



IMPACT 4 PAIR
BOARD RELATIONSHIPS



SEE SHEET 1 EC NO: UCP2012-3822 2012/05/22 DRWNGES CHKD: APPR:RNELSON 2012/06/04	QUALITY SYMBOLS	GENERAL TOLERANCES (UNLESS SPECIFIED)		DIMENSION STYLE MM ONLY		SCALE 3:1	DESIGN UNITS METRIC	THIRD ANGLE PROJECTION	
	▽=0	mm	INCH	DRAWN BY	DATE	TITLE IMPACT 4 PAIR BACKPLANE UNGUIDED ASSEMBLY SALES DRAWING molex DOCUMENT NO. SD-171294-0001 SHEET NO. 3 OF 3			
	▽=0	4 PLACES ± ---	± ---	JB INGHAM	2011/11/17				
	▽=0	3 PLACES ± ---	± ---	CHECKED BY	DATE				
▽=0	2 PLACES ± 0.13	± ---	JLAURX	2011/11/17					
		1 PLACE ± 0.25	± ---	APPROVED BY	DATE				
		0 PLACE ±	±	JLAURX	2011/12/02				
		ANGULAR ±1/2°		MATERIAL NO.					
		DRAFT WHERE APPLICABLE MUST REMAIN WITHIN DIMENSIONS		SEE CHART					
				SIZE	THIS DRAWING CONTAINS INFORMATION THAT IS PROPRIETARY TO MOLEX INCORPORATED AND SHOULD NOT BE USED WITHOUT WRITTEN PERMISSION				