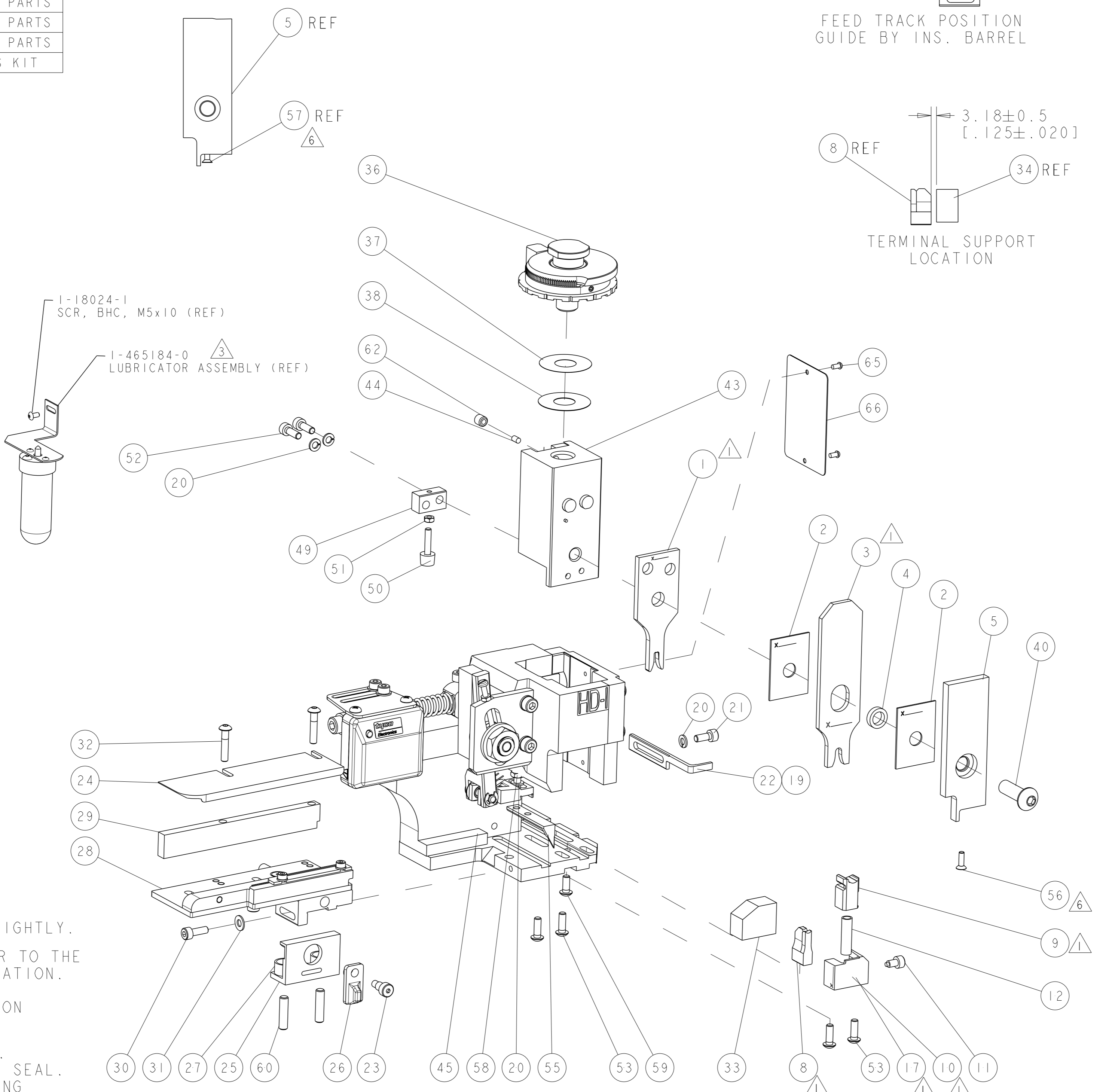


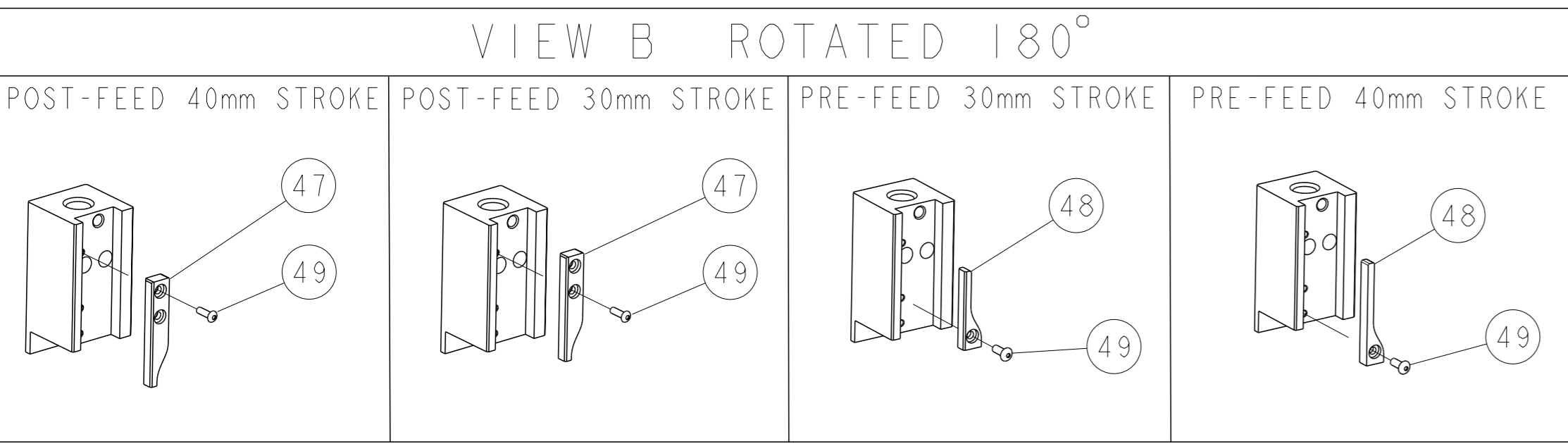
Part list table with columns: PART NUMBER, REV, TERMINATOR, FEED TYPE, DESCRIPTION. Includes parts like LEADMAKER, BENCH, and SPARE PARTS KIT.

CRIMP DATA table including DELPHI TERMINAL, DELPHI CRIMP SPECS, WIRE SIZE, CRIMP HEIGHT, and REF SETTING for 14 AWG, 16 AWG, and 18 AWG wires.



\* WARNING
ON INSTALLATION, SET WIRE DISC TO LARGEST WIRE SIZE SETTING. USE OF SETTINGS BELOW MIN. REQUIRED CRIMP HEIGHT SETTING WILL CAUSE DAMAGE TO CRIMP TOOLING.

- RECOMMENDED SPARE PARTS.
1. GREASE RAM, CAM, CAM FOLLOWER AND FEED ROD LIGHTLY.
2. CERTAIN TERMINALS REQUIRE LUBRICATION. REFER TO THE APPLICATOR INSTRUCTION SHEET FOR MORE INFORMATION.
3. LUBRICATE DAILY PER THE APPLICATOR INSTRUCTION SHEET SUPPLIED WITH THE APPLICATOR.
4. THIS APPLICATOR APPLIES TERMINAL WITH A SEAL. INSULATION DIA QUOTED IS OUTSIDE DIAMETER OF SEAL. WIRE INSULATION DIA IS DEPENDENT ON SEAL BEING APPLIED. SEAL PN - INS. DIA RANGE IS -.
5. APPLY TORQ-SEAL IN ALLEN SOCKET TO FILL HOLE AFTER FLAT HD HAS BEEN ADJUSTED TO CORRECT HEIGHT AT QUALIFICATION. APPLY #1-23419-5 LOC-TITE TO THREADS.



SET UP GAGE
458637-3

REVISIONS table with columns: P, CLM, DESCRIPTION, DATE, DWN, APVD. Shows revision B1.

Main parts list table with columns: PART NO, QTY, DESCRIPTION, and ITEM NO. Lists numerous components like SCREW, WASHER, SPRING, and STRIPPER.