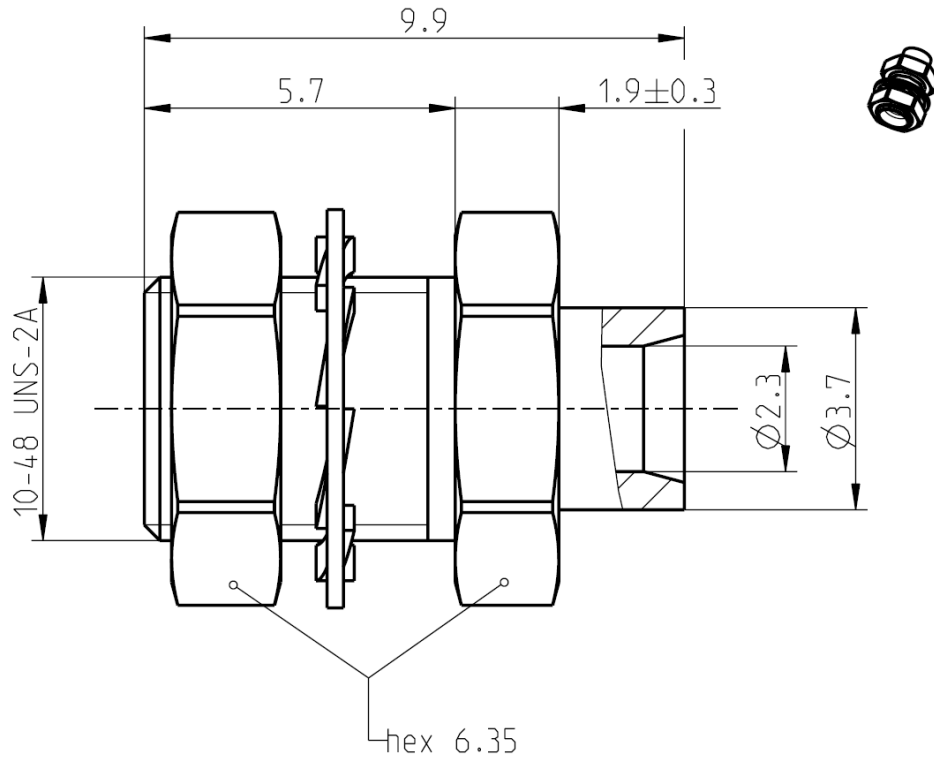


SMP

BULKHEAD PLUG  
SMOOTH BORE

**19S641-271L5-NM**



All dimensions are in mm; tolerances acc. to ISO 2768 m-H

**Interface**

Compatible to MIL-STD-348

**Documents**

Assembly instruction 19 E4  
Panel piercing B 54

**Material and plating**

**Connector parts**

Center contact  
Outer contact  
Dielectric

**Material**

Spring bronze  
Spring bronze  
PTFE

**Plating**

AuroDur®, gold plated  
AuroDur®, gold plated

Dieses Dokument ist urheberrechtlich geschützt • This document is protected by copyright • Rosenberger Hochfrequenztechnik GmbH & Co. KG

RF\_35/05.10/6.0

SMP

**BULKHEAD PLUG  
SMOOTH BORE**

**19S641-271L5-NM**

**Electrical data**

Impedance 50 Ω  
 Frequency DC to 26.5 GHz  
 Return loss ≥ 30 dB @ DC to 4 GHz  
 ≥ 20 dB @ 4 GHz to 12 GHz  
 ≥ 18 dB @ 12 GHz to 26.5 GHz  
 Insertion loss ≤ 0.05 x √f [GHz] dB @DC to 12 GHz  
 Insulation resistance ≥ 5 GΩ  
 Center contact resistance ≤ 6 mΩ  
 Outer contact resistance ≤ 2 mΩ  
 Test voltage (at sea level) 500 V rms  
 Working voltage (at sea level) 335 V rms  
 Contact Current ≤ 1.2A DC max.

- Limitations are possible due to the used cable type -

**Mechanical data**

Mating cycles ≥ 1000  
 Center contact captivation ≥ 7 N  
 Engagement force  
 - Smooth bore ≤ 9 N  
 Disengagement force  
 - Smooth bore ≥ 2.2 N

**Environmental data**

Temperature range -65 °C to +155 °C  
 Thermal shock MIL-STD-202, Method 107, Condition B  
 Vibration MIL-STD-202, Method 204, Condition B  
 Shock MIL-STD-202, Method 213, Condition A  
 Moisture resistance MIL-STD-202, Method 106  
 RoHS compliant

**Tooling**

N/A

**Suitable cables**

RG 405 /U, UT 85-M17

**Weight**

Weight 1.6 g/pce

Dieses Dokument ist urheberrechtlich geschützt • This document is protected by copyright • Rosenberger Hochfrequenztechnik GmbH & Co. KG

RF\_35/05.10/6.0

Draft	Date	Approved	Date	Rev.	Engineering change number	Name	Date
H. Wurm	12/04/12	J_Krautenbacher	09.09.16	d00	16-1508	S_Huber-Siegl	09.09.16
Rosenberger Hochfrequenztechnik GmbH & Co. KG P.O.Box 1260 D-84526 Tittmoning Germany <a href="http://www.rosenberger.de">www.rosenberger.de</a>						Tel. : +49 8684 18-0 Email : <a href="mailto:info@rosenberger.de">info@rosenberger.de</a>	
						Page 2 / 2	