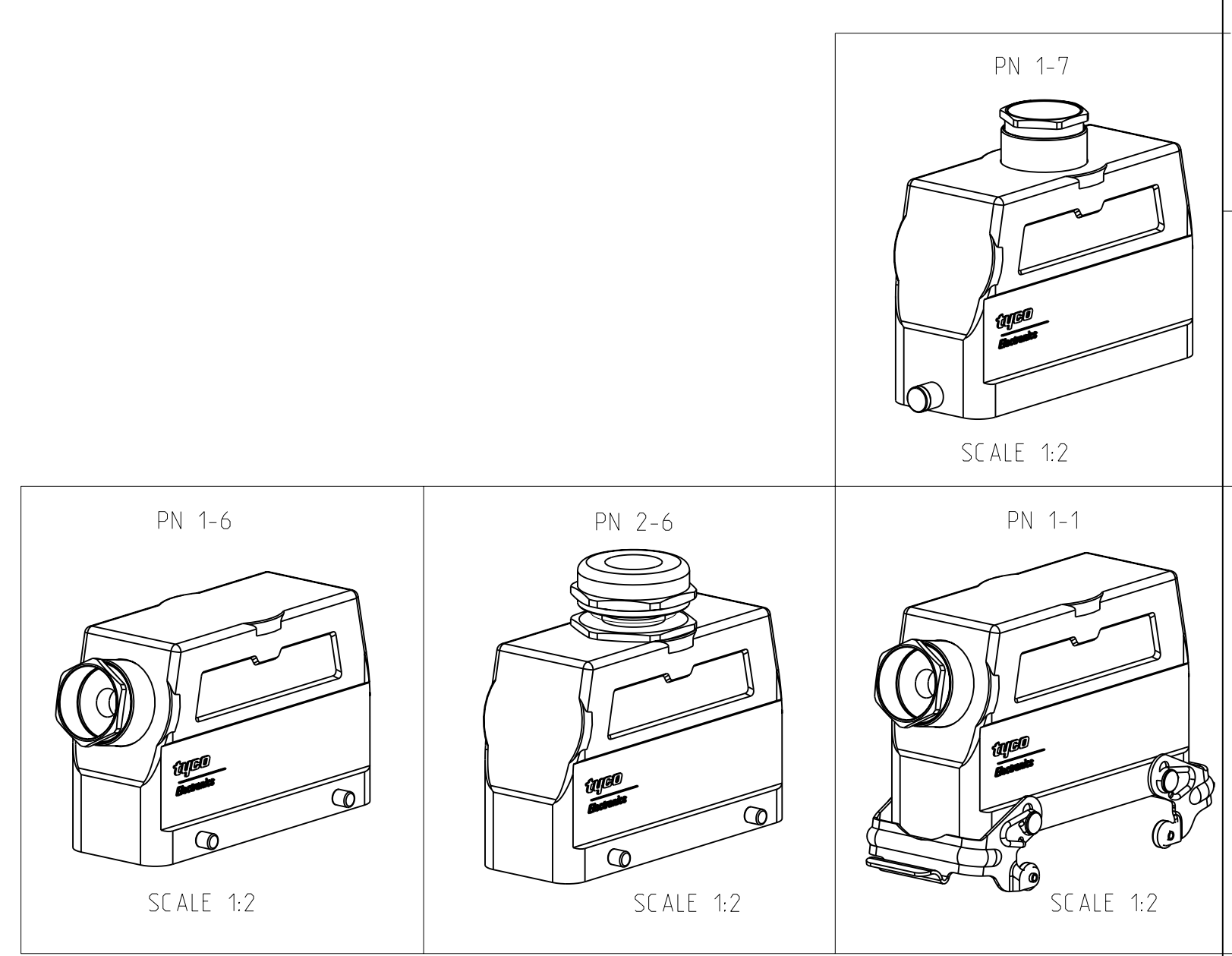


LOC	DIST	REVISIONS			
P	LTR	DESCRIPTION	DATE	DWN	APVD
A2		Released as per ECR-07-030424	17.12.07	SP	TS

- NOTES.
- 1 Material:Housing:Aluminium Diecasting Alloy
 - 2 Surface- Varnish Grey
-Aluminium Oxide +
Varnish Black
 - 3 Varnish on the inside not necessary
 - 4 Packaging
Quantity 5 Pieces in a box



NO	QTY	DESCRIPTION	MATERIAL	SURFACE	COLOR	ITEM NO	REMARKS
1	1	Gland fitting	Brass	Nickel plated	Blue	8	PG21
1	1	Cable connection round	Brass	Nickel plated	Blue	7	PG21
2		LB-Clip bolt	Steel	Zinc plated	Blue	6	
2	2	VS-Side clip	Steel	Zinc plated	Blue	5	
	4	VS-Clip bolt	Stainless steel	Blank		4	
	4	VS-Clip bolt	Steel	Zinc plated	Blue	3	
1	1	HD-K Hood	Aluminium	Aluminium oxide	Black	2	
1	1	HD Hood	Aluminium		Grey	1	

ORDERING TEXT
 HD .64 .STO.1.21
 HD -K.64 .STO.1.21
 HD .64 .STO -VS.1.21
 HD .64 .STO -GR.1.21

DIMENSIONS: mm		TOLERANCES UNLESS OTHERWISE SPECIFIED: 0-100 0.10 100-150 0.15 150-250 0.20 250-500 0.30 500-1000 0.50		DWN: 29.07.2003 CHK: 29.07.2003 APVD:		Tyco Electronics Tyco Electronics AMP GmbH D-53819 Neunkirchen, Germany	
DIMENSIONS: mm		DIMENSIONS: mm		NAME: Hood HD.64.STO.1.21		RESTRICTED TO:	
MATERIAL:		FINISH:		WEIGHT:		SIZE: A 00779 C=1103339	
CUSTOMER DRAWING		SCALE: 1:1		SHEET: 1 OF 1		REV: A2	