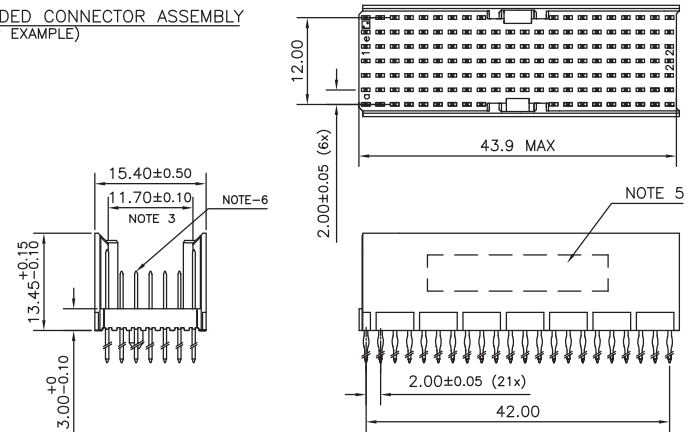


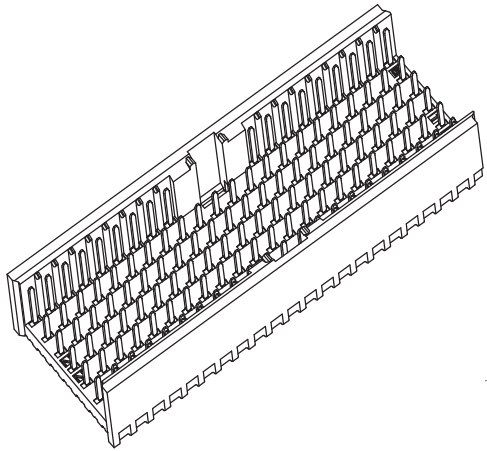
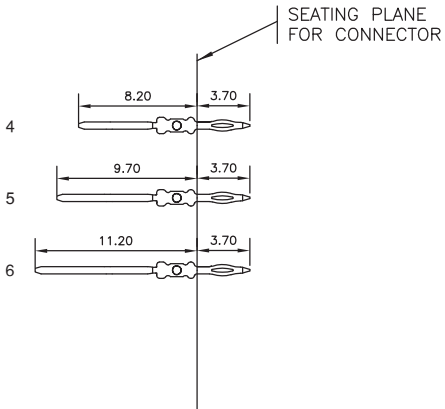
LOADING PATTERN MATING SIDE

f	6	6	6	6	6	6	6	6	6		6	6	6	6	6	6	6	6	6	6	
e	4	4	4	4	4	4	4	4	4		4	4	4	4	4	4	4	4	4	4	
d	4	4	4	4	4	4	4	4	4		4	4	4	4	4	4	4	4	4	4	
c	5	4	4	5	5	5	4	4	4		4	4	4	4	4	5	5	5	4	4	5
b	4	4	4	4	4	4	4	4	4		4	4	4	4	4	4	4	4	4	4	4
a	4	4	4	4	4	4	4	4	4		4	4	4	4	4	4	4	4	4	4	4
z	6	6	6	6	6	6	6	6	6		6	6	6	6	6	6	6	6	6	6	6
POS	0										0										
	1										5										
											1										
											5										
											2										

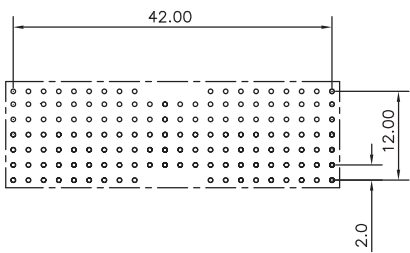
LOADED CONNECTOR ASSEMBLY (FOR EXAMPLE)



CONTACT OVERVIEW



LAY-OUT P.C.B.-HOLE



HM2P68PDT2P1 LEAD FREE INDICATOR : LF = LEAD FREE (DIGIT 15 & 16)

PLATING CODE (DIGIT 13 AND 14)
(REF DRW NO. BS,C , 201844 , 003)

NOTES

- THIS PRODUCT IS CSA APPROVED.
 - THIS PRODUCT IS UL RECOGNIZED.
 - MEASURED AT THE BOTTOM.
 - MATERIAL CONTACT: PHOSPHORBRONZE
 - HOUSING: CREAM WHITE GLASS FILLED POLYESTER UL-94V0
 - CONNECTOR PRINTED WITH P/N AND DATE CODE.
 - FOR ACTUAL CONTACT LOADINGS, SEE LOADING PATTERN MATING SIDE.
 - SHAPE OF CONNECTOR HOUSING CAN ALTER DEPENDING ON PRODUCTION LOCATION
 - THE PRODUCT (LF) MEETS EUROPEAN UNION DIRECTIVES AND OTHER COUNTRY REGULATIONS AS DESCRIBED IN GS-22-008
 - FOR RECOMMENDED PTH DIMENSIONS REFER DRAWING : BS, A , 201572 , 001
- CATALOG NO: HM2P68PDT2P1----

mat'l. code SEE NOTE 4		surface ISO 1302 ✓	tolerance ISO 406 ISO 1101	projection 	product family MILLIPACS
ltr A	ecn no 106-0017	dr MINI	date 2006-02-20	tolerances unless otherwise specified 0.0±0.2	title MPACS 5+2R STR HDR CONN TYPE AB 22 POS. (THICK RIB VERSION)
B	106-0141	MINI	2006-08-08	0.00±0.1	
		angles 0°±1°	linear	MM ←	scale
dr		MINI K VANDANATH	2006-02-20		
enr		BLU K PAUL	2006-02-20		
chr		BLU K PAUL	2006-08-08		
appd		BLU K PAUL	2006-08-08		
sheet index	revision sheet	B 1	dwg no BS, C ,203028, 678		
			sheet 1 of 1 size A3		
			type Product Customer Drawing		

form: A3