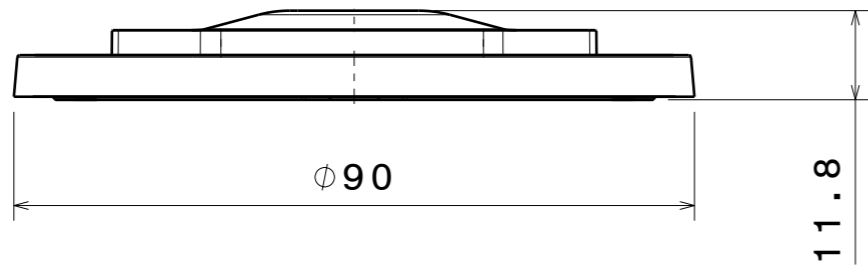
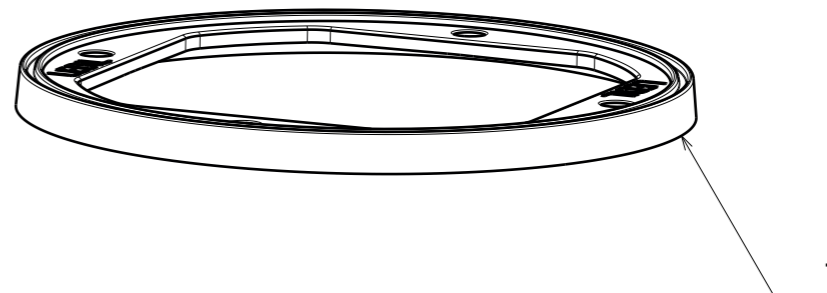


H G F E D C B A

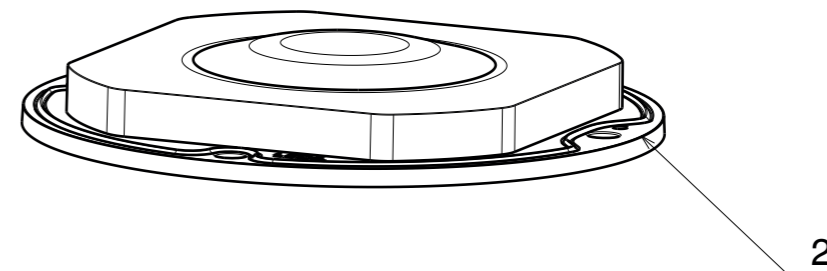
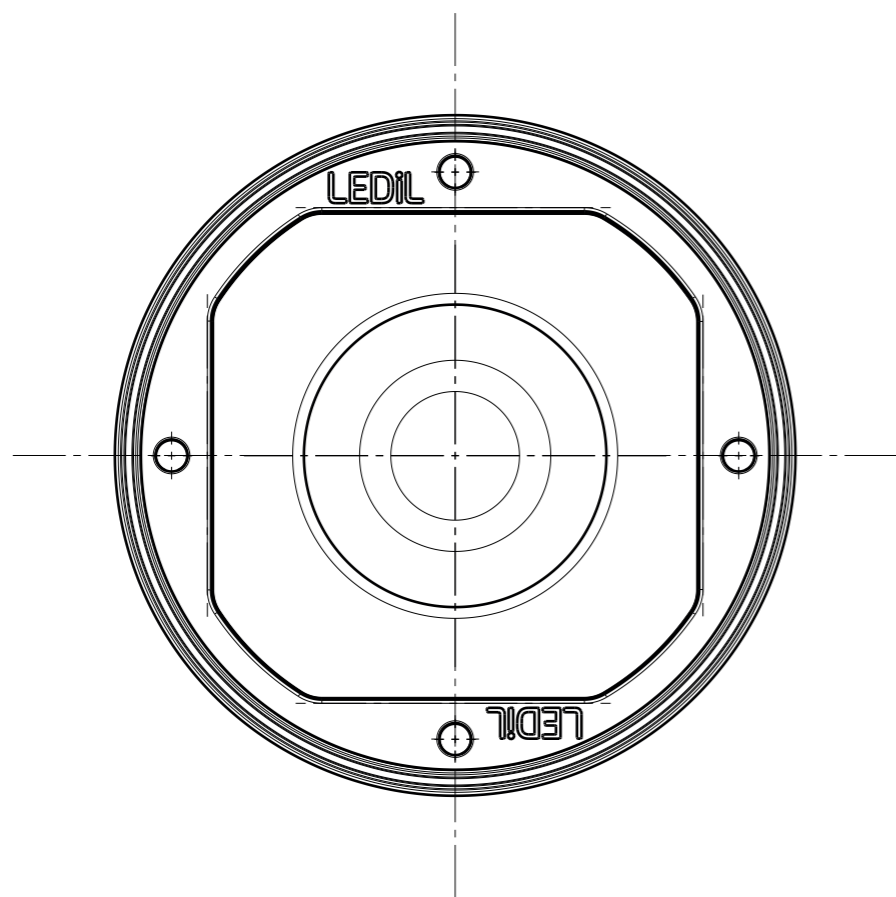
4



3




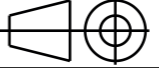
2



1

NOTE: Maximum recommended tightening torque for STELLA-FRAME is 0,4Nm

INDEX	PART NO	DESCRIPTION	MATERIAL	COLOUR
1	F13322	STELLA-FRAME	PA	black
2	F15263	STELLA-HB-WWW	Silicone	Clear

Tolerances if not otherwise shown According to DIN ISO 2768-1 Linear measures: Up to 30mm class M, otherwise class C. According to DIN ISO 2768-2 Form and position: class L		 Ledil Oy Salorankatu 10 FIN 24240 SALO Finland		
THIRD ANGLE PROJECTION: 		DRAWING TITLE <b>FN15264_STELLA-HB-WWW</b>		
This drawing is the property of LEDiL Oy. It may not be reproduced, copied or communicated without a written agreement with LEDiL Oy.		SIZE <b>A3</b>	PART NUMBER <b>FN15264</b>	
		SCALE 1:1	WEIGHT 29,44 g	SHEET 1/1

H G B A