

THIS DRAWING IS UNPUBLISHED. RELEASED FOR PUBLICATION  
 © COPYRIGHT BY TYCO ELECTRONICS CORPORATION. ALL RIGHTS RESERVED.  
 PART NUMBER 566219-1 REV A FIRST USED -

LOC	DIST	REVISIONS					
A	66	P	LTR	DESCRIPTION	DATE	DWN	APVD
		A3		ECN 0150-0081-05	1-05	MY	TE

APPLICATOR PARTS LIST				TYPE REAR SHEAR BUTT SPLICE 30° ROTATED			AMP INCORPORATED HARRISBURG, PENNA.			
NO.	DESCRIPTION	REQ.	PART NO.	NO.	DESCRIPTION	REQ.	PART NO.	CRIMPING DATA		TERMINALS
1	WIRE CRIMPER REAR	1	453938-1	42				TO APPLY TERMINAL		62419
2	INS. CRIMPER	1	1-465264-2	43				WIRE SIZE	CRIMP HEIGHT	
3	ANVIL	1	463109-1	44				A 18	.063	
4	WIRE CRIMPER FRONT	1	1-471988-4	45				B HEATER	.079	
5	SHEAR FLOATING	1	465374-2	46				CRIMP	SIZE	TYPE
6	REAR SHEAR PLATE	1	811239-1	47				R WIRE	.110	F
7	SHEAR DEPRESSOR	1	387265-4	48				F WIRE	.110	0
8	FRONT SHEAR PLATE			49				SLEEVED	.180	0
9	SPACER DEPRESSOR	1	370570	50	SPACER (BET 1 & 4)	1	370693	INSULATION RANGE WIRE RANGE		
10	FRONT ANVIL SPACER PLT.			51	SPRING SHEAR	1	387083	.135-.170	A:18	B:HEATER WIRE
11	TOOL SPACER	1	470493-4	52				EXPLODED VIEW		
12	CRIMP SPACER	1	387774	53				REMARKS:		
13	FRONT STRIP GUIDE	1	465320-2	54	SPACER, FRT. GUARD	1	811286-3	▲ MT. ON ITEM 14		
14	REAR STRIP GUIDE	1	465350-9	55	1/32 THK.			TOP TOOL MOUNTING		
15	RAM	1	471167	56				SEQUENCE 9,7,11,1,50,4		
16	TOOL HOLDER	1	465325-2	58				12 & 17		
17	ADJ. CRIMP MOUNT	1	811101-1	59				▲ DENOTES WEARING PARTS		
18	ADJ. BLOCK	1	811102-1	60	SCREW, SOC HD 8-32 X .165 L6	3	811651-3	RECOMMEND PURCHASE REPLACEMENT		
19	APPLICATOR MOUNT ASSY.			61				THIS APPLICATOR IS TO BE USED ON		
20	BASE PLATE	1	465317-1	62				AMP-O-ELECTRIC 1-471273-2		
21	BASE BLOCK	1	465894-1	63				AIR FEED		
22	STRIP GUIDE PLATE	1	465895-1	64	1" AIR FEED ASSY	1	690021-1	SERIAL NO.	DATE SHIPPED	DESIGNED
23	ANVIL HOLDER	1	811838-2	65	TENSION ADJ. PLATE	1	810504	CUSTOMER NAME AND ADDRESS		CHK'D.
24	AUX. ANVIL HOLDER	1	811839-2	66	MISCELLANEOUS					APP'D.
25	STRIPPER	1	465896-1	67						
26	STRIPPER MOUNT	1	465897-1	68	LUBRICATOR ASSY	1	465184-8			
27	RETAINER PLATE			69	SYNTHETIC OIL	1	22014-1			
28	STRIPPER STOP	1	811259-1	70						
29	STRIPPER BUSHING	1	386368	71	MOUNT, REEL BRK ASSY. 30°	1	453602-1			
30	STOCK DRAG	1	387650-4	72	EXTENSION, MT. AIR FEED	1	465319-2			
31	STOCK DRAG NUT	1	21018-5							
32	STOCK DRAG STUD	1	386416							
33	STOCK DRAG SPRING	1	810135							
34	STOCK DRAG ADJ. SCREW	1	2-21006-9							
35	FEED FINGER HOLDER	1	386942							
36	FEED FINGER	1	386941							
37	FEED FINGER TIP	1	387251							
38	FEED FINGER GUIDE	1	693680-1							
39	BASE CASTING	1	570238							
40	GUARD	1	461028-1							
41										

THIS DRAWING IS A CONTROLLED DOCUMENT.

DIMENSIONS: INCHES	TOLERANCES UNLESS OTHERWISE SPECIFIED:	DWN M. YOUNGER 25JAN05	Tyco Electronics Corporation Harrisburg, Pa 17105-3608
		CHK C. ERISMAN 27JAN2005	
		APVD T. ELBIN 27JAN2005	NAME SIDE FEED STANDARD APPLICATOR
		PRODUCT SPEC	
		APPLICATION SPEC	SIZE A2
MATERIAL	FINISH	WEIGHT	CAGE CODE 00779
			DRAWING NO. C-566219-1
			RESTRICTED TO
			SCALE - SHEET 1 OF 5 REV A3
			CUSTOMER DRAWING

AMP 880 (3/43) **APPLICATOR PARTS LIST (BOLT, NUT, SCREW, WASHER etc.)** 668 4.4

NO.	DESCRIPTION	SIZE	LGTH.	REQ.	PART NO.	NO.	DESCRIPTION	SIZE	LGTH.	REQ.	PART NO.
100	Screw, Soc.Hd.Cap	1/4-20	5/8	3	21001-3	123	Screw, Soc.Hd.Cap	8-32	1/2	1	2-21000-5
	Base Pl.(20)to Base Blk.(21)						Stripper Mt.(26)To Stripper Mt.(26)				
101	Screw, Soc.Hd.Cap	1/4-20	5/8	2	21001-3	124	Screw, But.Hd.	8-32	3/8	1	2-21002-1
	Strip Guide Pl.(22)to Base Blk.(21)						Stripper(25)&Bushing(29)To Stripper Mt.(26)				
102	Screw, Soc.Hd.Cap	10-32	3/8	2	3-21000-1	125	Screw, Soc.Hd.Cap.	8-32	1/2	1	2-21000-5
	Shear Plate (6) To Base Blk.(21)					126	Washer, Flat	8 I.D.		1	21055-6
103	Screw, Soc.Hd.Cap	10-32	5/8	2	3-21000-6		Tension Adj.Pl.(65)To Feed Finger Holder (35)				
	Anvil Holder(23)& Aux.AnvilHolder(24)To Base Blk.(21)					127	Screw, Soc.Hd.Cap	10-32	1/2	1	3-21000-5
104	Screw, Soc.Hd.Cap	8-32	1	2	3-21000-1		Feed Finger (36) To Feed Finger Holder (37)				
	Aux. Anvil Holder(24)Anvil(3)To Anvil Holder(23)					128	Screw, Set	5-40	3/8	1	2-21006-1
105	Screw, Soc.Hd.Cap	8-32	3/8	2	2-21000-6		Feed Finger Tip(37) To Feed Finger (36)				
106	Washer, Flat	8 I.D.		2	21055-6	129	Screw, Soc.Hd.Cap	8-32	3/8	1	2-21000-6
	Front Strip Guide(13)To Strip Guide Pl.(22)					130	Washer, Flat	8 I.D.		1	21055-6
107	Screw, Soc.Hd.Cap	8-32	3/8	2	2-21000-6		Rear Guard (41) To Stripper Mt.(26)				
108	Washer, Flat	8 I.D.		2	21055-6	131	Screw, Soc.Hd.Cap	8-32	5/8	2	2-21000-8
	Rear Strip Guide (14) To Strip Guide Pl.(22)						Front Guard(40)& Spacer(54)To Strip Guide Pl.(22)				
109	Screw, Soc.Hd.Cap	3/8-16	1 1/2	2	3-21001-6	132					
	Reel Brk.Assy(67)AirFeedValve Mt.(14)AirBlast Valve Mt.(213) PressCasting					133					
110	Nut, Hex S/L	10-32		1	21021-4	134	Screw, Button Hd. Cap	8-32	1/4	1	2-21002-0
	Drag Stud (32)										
<del>111</del>	<del>Screw, Soc.Hd.Cap</del>	<del>1/4-20</del>	<del>1</del>	<del>2</del>	<del>21001-4</del>	APPLICATOR ONLY TO INCLUDE					
	<del>Feed Cyl. Spacer(47)Between Cyl.&amp; Top Brk.</del>					135	Washer, Flat	8 I.D.		1	21055-6
113	Screw, Soc.Hd.Cap	1/4-20	1	2	21001-6		Adj.Ins. Crimper Insert(')To Adj.Ins.Crimper Mt.(17)				
114	Washer, Flat	1/2 I.D.		2	21055-8	136	Washer, Flat	8 I.D.		1	21055-6
	Air Feed Assy.(64) TO EXT. BRK. (63)						Stripper(25)Bushing(29)To Stripper Mt.(26)				
<del>115</del>	<del>Screw, Soc.Hd.Cap</del>	<del>1/4-20</del>	<del>1</del>	<del>1</del>	<del>21001-6</del>	137	Nut, Hex	5-40		1	1-21018-2
	<del>Air Feed Assy.Mt.(45)To Base Pl.(20)</del>						Feed Finger Tip(37)To Feed Finger(36)				
<del>116</del>	<del>Screw, Hex Hd.</del>	<del>3/8-16</del>	<del>1 1/2</del>	<del>1</del>	<del>3-21015-3</del>	139	SCREW, SOC. HD. CAP	6-32	1/4	1	1-21000-8
	<del>Sub Assy.(68)Air Feed Assy.Mt.(45)Base Pl.(20)PressCasting(39)</del>						CHIP DEFLECTOR (61)N(71) TO REAR SHEAR (6)				
117	Screw, Hex.Hd.	3/8x16	1 1/2	2	3-21015-2						
118	Washer	3/8 I.D.		2	371178						
119	Screw, Set, Soc.Hd.	S/L	1/2-20	1	2-21549-3						
	Ram Pin To Ram (15)										
120	Pin, Slotted Spring	.112 Dia.	1 5/8	1	7-21029-0						
	Tool Holder (16) To Ram (15)										
121	Screw, Soc.Hd.Cap	1/4-20	1 3/4	2	21001-9						
	Top Tooling To Tool Holder (16)										
122	Screw, Soc.Hd.Cap	8-32	1	2	3-21000-1						
	Stripper Mt.(26)To Strip Guide Pl.(22)										

THIS DRAWING IS A CONTROLLED DOCUMENT.

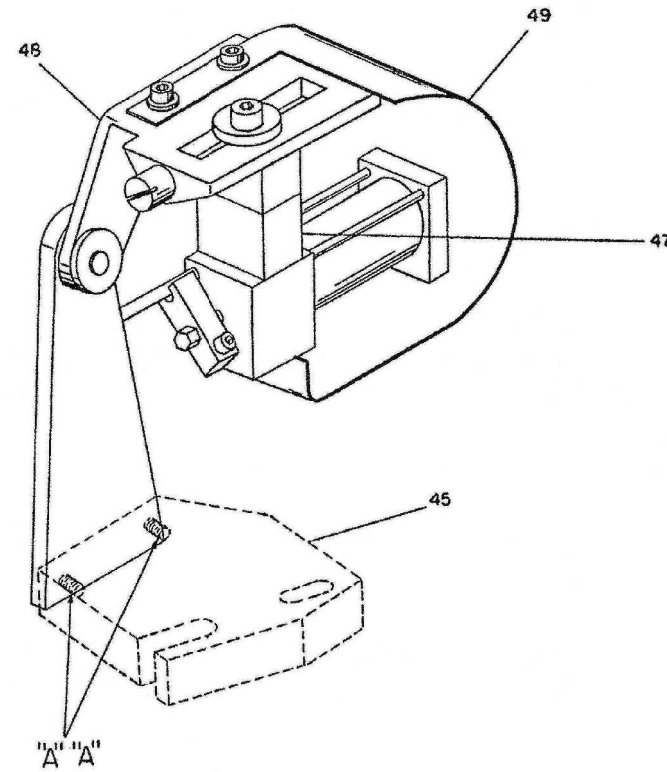
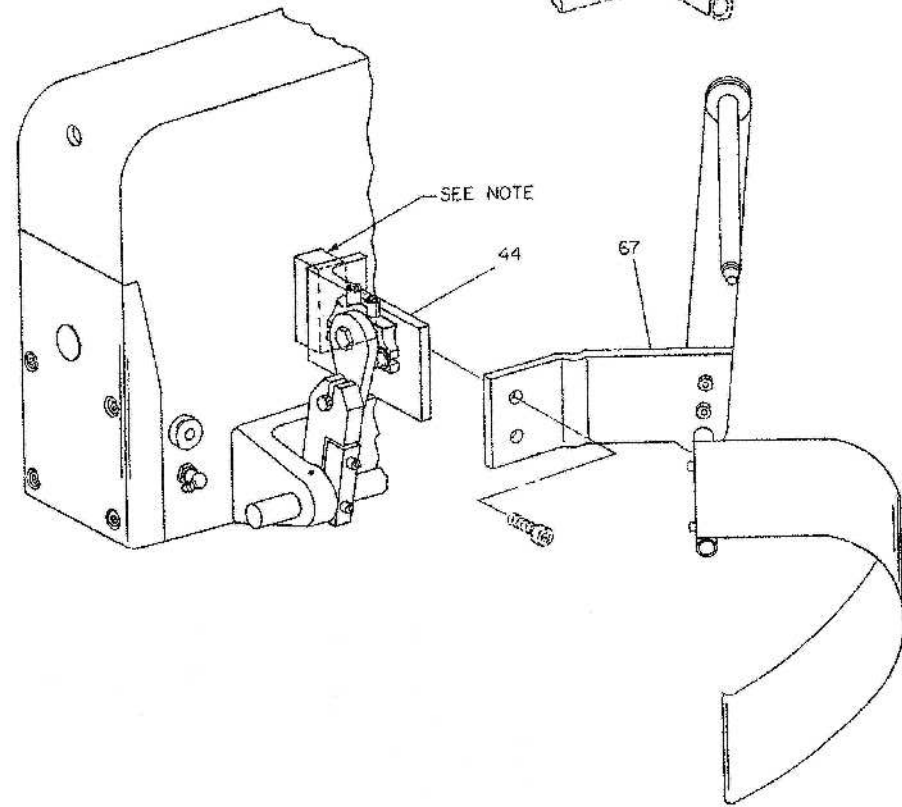
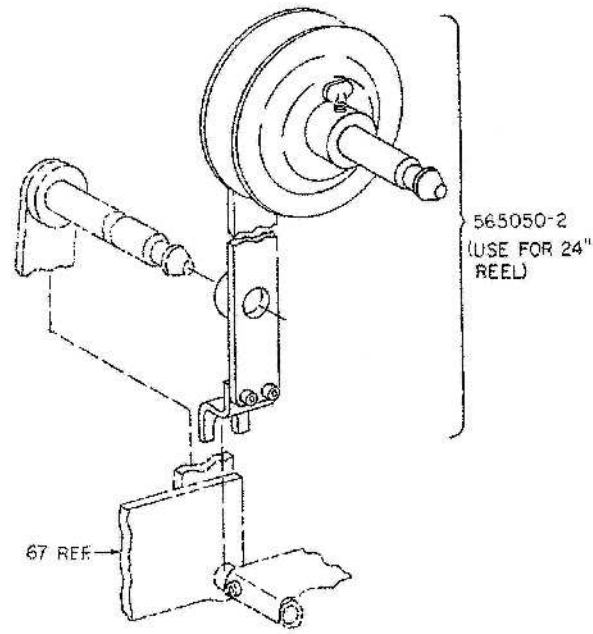
DIMENSIONS: INCHES	TOLERANCES UNLESS OTHERWISE SPECIFIED:	DWN M. YOUNGER 25 JAN 05	Tyco Electronics Corporation Harrisburg, Pa 17105-3608
		CHK C. ERISMAN 27 JAN 2005	
		APVD T. ELBIN 27 JAN 2005	NAME
			PRODUCT SPEC
			APPLICATION SPEC
MATERIAL			RESTRICTED TO
		WEIGHT	SIZE CAGE CODE DRAWING NO
			A2 00779 C-566219-1
		CUSTOMER DRAWING	SCALE 1:1 SHEET 2 OF 5 REV A3

566219-1

THIS DRAWING IS UNPUBLISHED. RELEASED FOR PUBLICATION  
 © COPYRIGHT BY TYCO ELECTRONICS CORPORATION. ALL RIGHTS RESERVED.

LOC	DIST	REVISIONS			
P	LTR	DESCRIPTION	DATE	DWN	APVD
A	66	SEE SHEET 1	-	-	-

NOTE: PART NO. 240033-2 IS USED WHEN A STANDARD MODEL "C" OR "J" PRESS IS CONVERTED TO A 30° ROTATED STANDARD APPLICATOR.

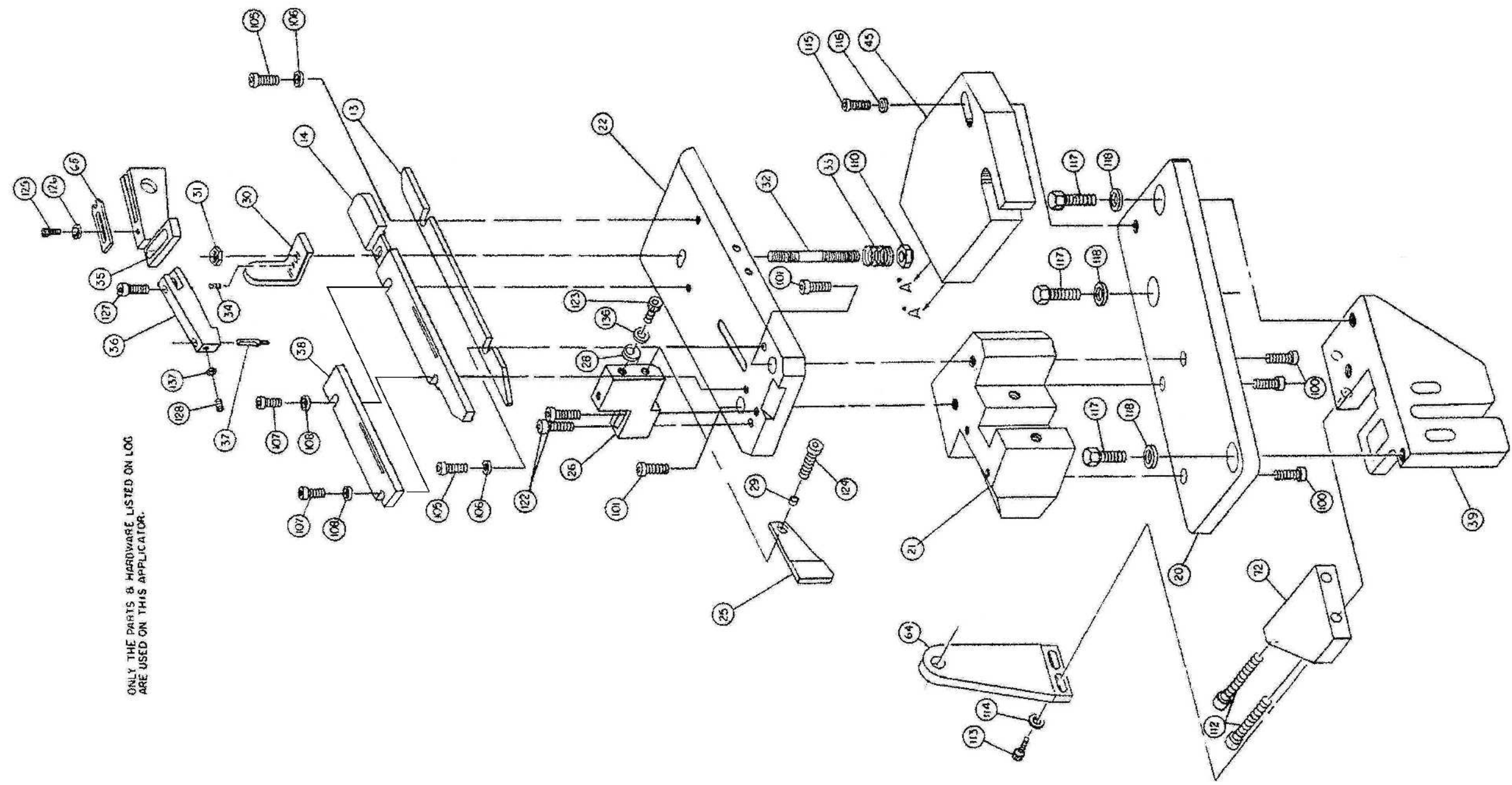


THIS DRAWING IS A CONTROLLED DOCUMENT.		DWN M. YOUNGER 25 JAN 05	Tyco Electronics Corporation Harrisburg, Pa 17105-3608	
DIMENSIONS: INCHES		CHK C. ERISMAN 27 JAN 2005	NAME	
TOLERANCES UNLESS OTHERWISE SPECIFIED:		APVD T. ELBIN 27 JAN 2005	PRODUCT SPEC	
0 PLC ± -		APPLICATION SPEC		
1 PLC ± -		WEIGHT		
2 PLC ± -		SIZE CAGE CODE DRAWING NO		
3 PLC ± -		A2 00779 C-566219-1		
4 PLC ± -		RESTRICTED TO		
ANGLES ± -		SCALE 1:1 SHEET 3 OF 5 REV A3		
FINISH -		CUSTOMER DRAWING		

566219-1

THIS DRAWING IS UNPUBLISHED. RELEASED FOR PUBLICATION  
 © COPYRIGHT BY TYCO ELECTRONICS CORPORATION. ALL RIGHTS RESERVED.

LOC A	DIST 66	REVISIONS			
P	LTR	DESCRIPTION	DATE	DWN	APVD
-	-	SEE SHEET 1	-	-	-

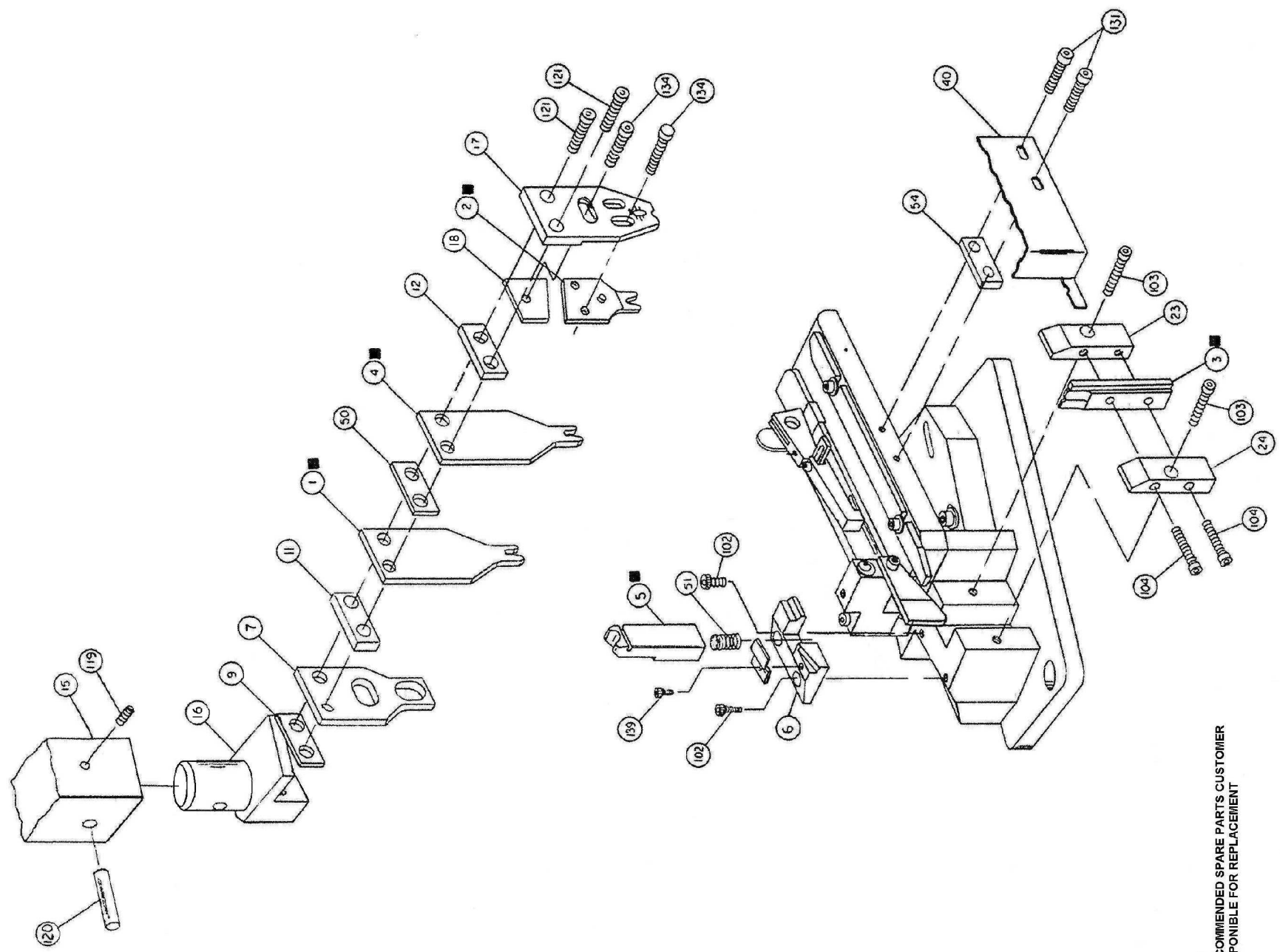


ONLY THE PARTS & HARDWARE LISTED ON LOG  
 ARE USED ON THIS APPLICATOR.

THIS DRAWING IS A CONTROLLED DOCUMENT.		DWN M. YOUNGER 25 JAN 05	Tyco Electronics Corporation Harrisburg, Pa 17105-3608	
DIMENSIONS: INCHES		CHK C. ERISMAN 27 JAN 2005	APVD T. ELBIN 27 JAN 2005	
TOLERANCES UNLESS OTHERWISE SPECIFIED:		NAME		
0 PLC ± -		PRODUCT SPEC		
1 PLC ± -		APPLICATION SPEC		
2 PLC ± -		SIZE		
3 PLC ± -		CAGE CODE		
4 PLC ± -		DRAWING NO		
ANGLES ± -		RESTRICTED TO		
FINISH		WEIGHT		
-		A2 00779 C-566219-1		
-		CUSTOMER DRAWING		
-		SCALE 1:1 SHEET 4 OF 5 REV A3		

THIS DRAWING IS UNPUBLISHED. RELEASED FOR PUBLICATION  
 © COPYRIGHT BY TYCO ELECTRONICS CORPORATION. ALL RIGHTS RESERVED.

LOC	DIST	REVISIONS			
P	LTR	DESCRIPTION	DATE	DWN	APVD
A	66	SEE SHEET 1	-	-	-



KEY:  
 ■ -RECOMMENDED SPARE PARTS CUSTOMER RESPONSIBLE FOR REPLACEMENT

THIS DRAWING IS A CONTROLLED DOCUMENT.		DWN M. YOUNGER 25JAN05	Tyco Electronics Corporation Harrisburg, Pa 17105-3608																												
DIMENSIONS: INCHES		CHK C. ERISMAN 27JAN2005	NAME																												
TOLERANCES UNLESS OTHERWISE SPECIFIED:		APVD T. ELBIN 27JAN2005	PRODUCT SPEC																												
<table border="0"> <tr><td>0</td><td>PLC</td><td>±</td><td>-</td></tr> <tr><td>1</td><td>PLC</td><td>±</td><td>-</td></tr> <tr><td>2</td><td>PLC</td><td>±</td><td>-</td></tr> <tr><td>3</td><td>PLC</td><td>±</td><td>-</td></tr> <tr><td>4</td><td>PLC</td><td>±</td><td>-</td></tr> <tr><td></td><td>ANGLES</td><td>±</td><td>-</td></tr> <tr><td></td><td>FINISH</td><td></td><td></td></tr> </table>		0	PLC	±	-	1	PLC	±	-	2	PLC	±	-	3	PLC	±	-	4	PLC	±	-		ANGLES	±	-		FINISH			APPLICATION SPEC	
0	PLC	±	-																												
1	PLC	±	-																												
2	PLC	±	-																												
3	PLC	±	-																												
4	PLC	±	-																												
	ANGLES	±	-																												
	FINISH																														
MATERIAL		WEIGHT	SIZE A2	CAGE CODE 00779																											
			DRAWING NO C-566219-1	RESTRICTED TO																											
		CUSTOMER DRAWING	SCALE 1:1	SHEET 5 OF 5																											
			REV A3																												

566219-1