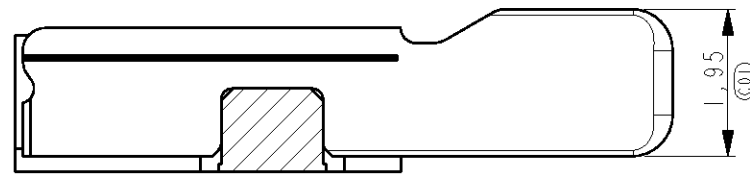
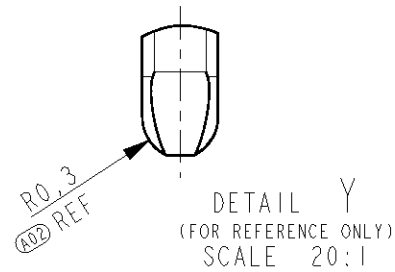


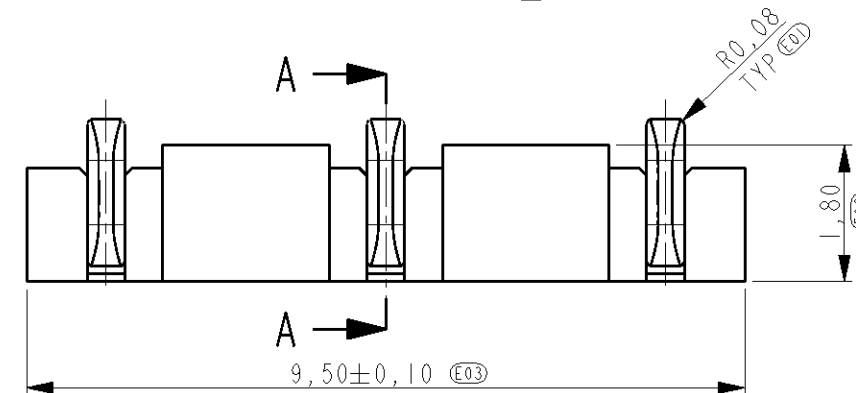
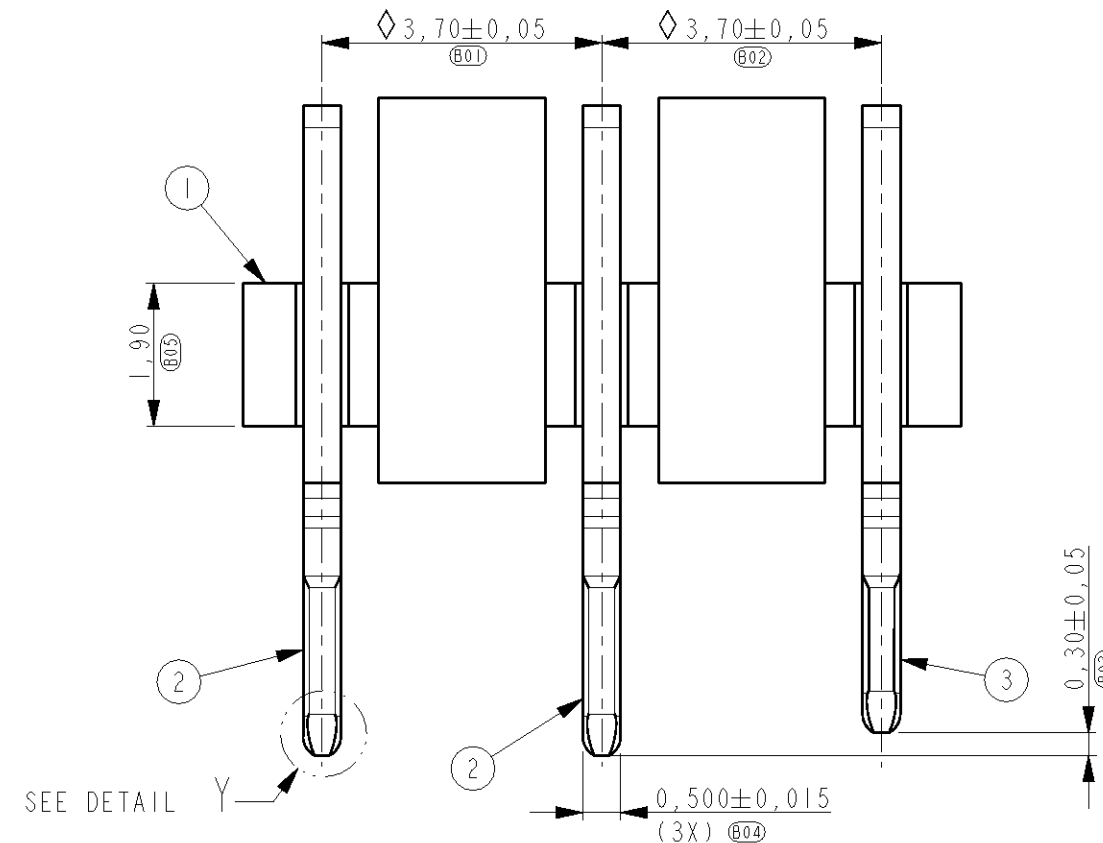
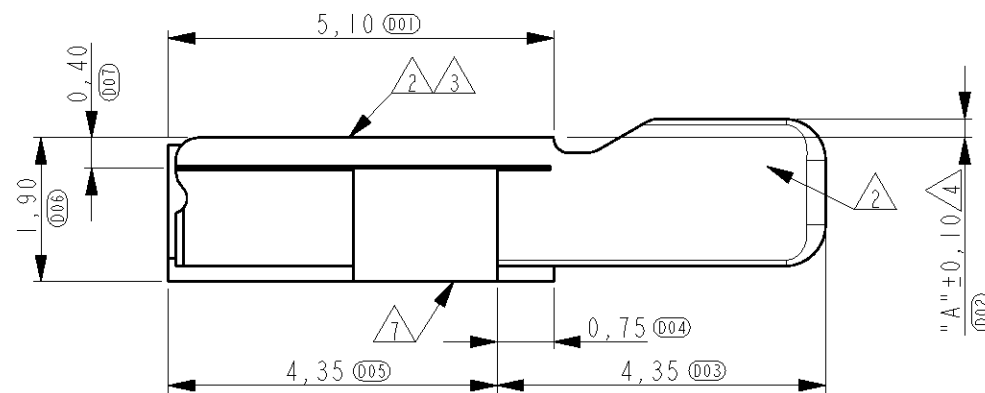
THIS DRAWING IS UNPUBLISHED. RELEASED FOR PUBLICATION
 (C) COPYRIGHT - Tyco Electronics AMP GmbH ALL RIGHTS RESERVED.

LOC	DIST	REVISIONS					
		P	LTR	DESCRIPTION	DATE	DWN	APVD
H	-		F	ECR-09-023061	23OCT2009	PW	DH
			G	ECR-12-004767	21MAR2012	PW	DH
			H	ECR-12-007412	10MAY2012	PW	DH
			J	ECR-12-015278	28AUG2012	PW	DH

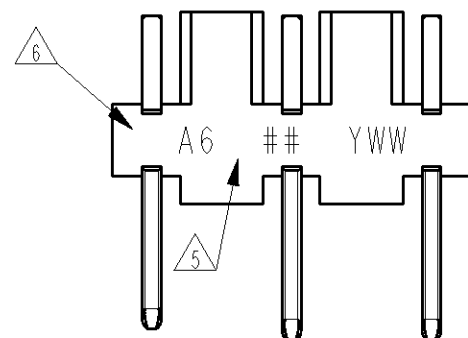
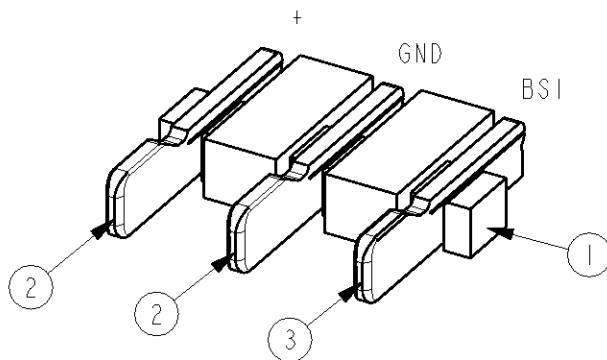
- NOTES:
- 1 DRAWING REPRESENTS PART VERSION "A6".
TE PN 2-1857269-2.
 - 2 PLATING:
1,2µm MIN. NICKEL ALL OVER
0,8µm MIN. GOLD ON CONTACT AREA
0,05 - 0,2µm GOLD ON SOLDER AREA
 - 3 COPLANARITY OF SOLDER SURFACES 0,08 MAX.
 - 4 DIMENSION DEPENDS ON DISTANCE BETWEEN
PWB AND BATTERY, SEE TABLE ON SHEET 5.
 - 5 MARKING: VERSION, PROCESS ID (##),
PRODUCTION DATE (YWW, YEAR AND WEEK).
 - 6 MARKING: CAVITY ID.
 - 7 PICK&PLACE AREA.



SECTION A-A



ITEM NO.	DESCRIPTION	MATERIAL	FINISH
3	CONTACT, FIRST BREAK	COPPER ALLOY	GOLD PLATED
2	CONTACT, LAST BREAK	COPPER ALLOY	GOLD PLATED
1	HOUSING	PLASTIC, GF	-



SCALE 5:1

THIS DRAWING IS A CONTROLLED DOCUMENT.

DIMENSIONS:	TOLERANCES UNLESS OTHERWISE SPECIFIED:
mm	
	0 PLC ±-
	1 PLC ±0,2
	2 PLC ±0,1
	3 PLC ±-
	4 PLC ±-
	ANGLES ±-

MATERIAL - FINISH -

DWN 16 AUG 2005

J. Tuin

CHK 16 AUG 2005

J. Tuin

APVD 16 AUG 2005

D. Halberstadt

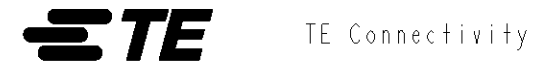
PRODUCT SPEC

108-19276

APPLICATION SPEC

WEIGHT -

CUSTOMER DRAWING



NAME
 PLUG CONNECTOR
 EDGE-TYPE, 3 POSITION
 BATTERY BLOCK

SIZE	CAGE CODE	DRAWING NO	RESTRICTED TO
A3	00779	C=1857269	-

SCALE 10:1 SHEET 1 OF 7 REV J

THIS DRAWING IS UNPUBLISHED.

RELEASED FOR PUBLICATION

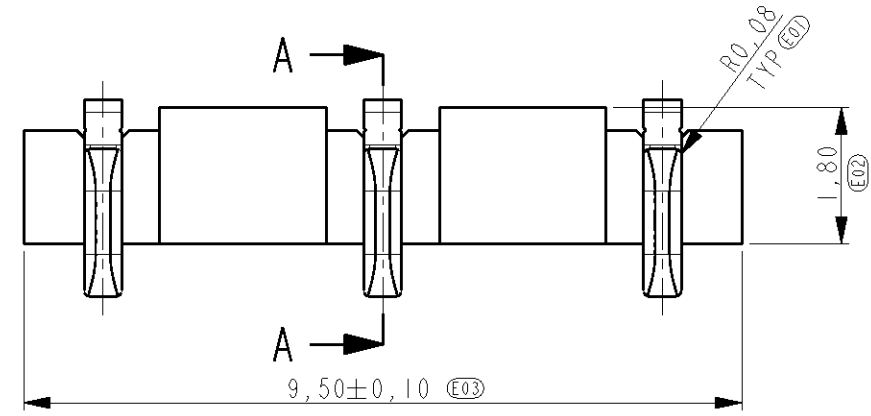
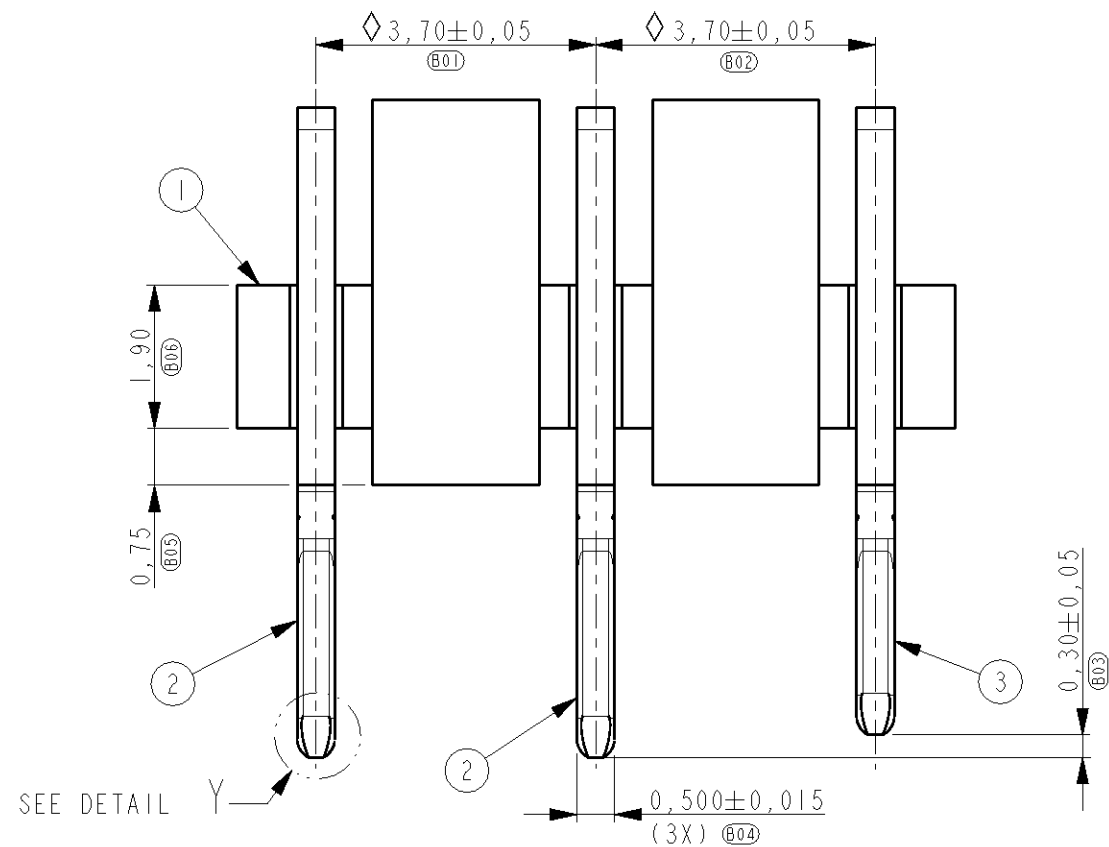
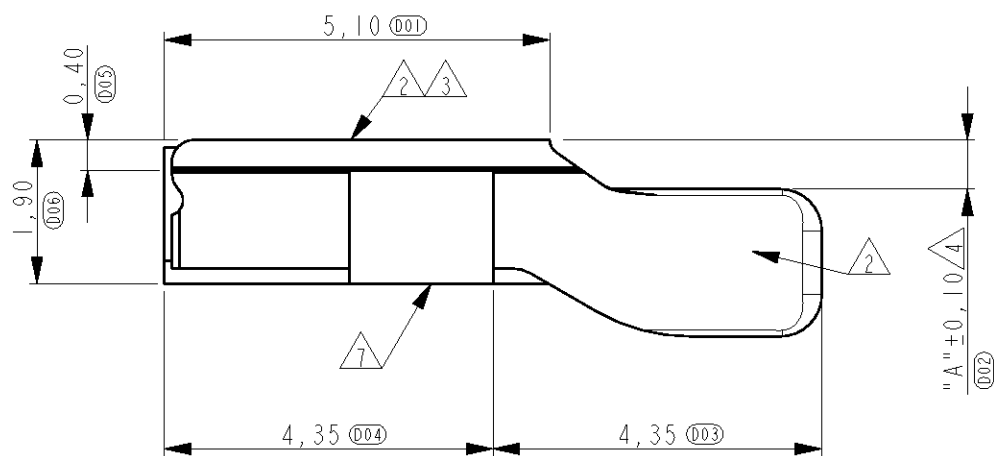
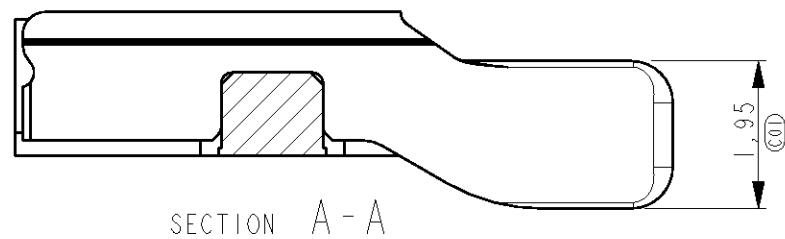
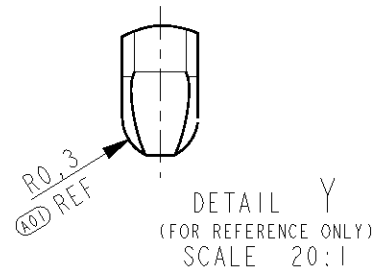
© COPYRIGHT - Tyco Electronics AMP GmbH

ALL RIGHTS RESERVED.

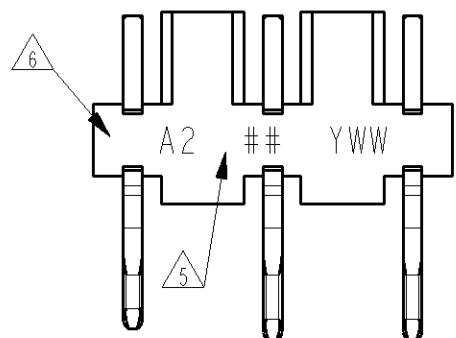
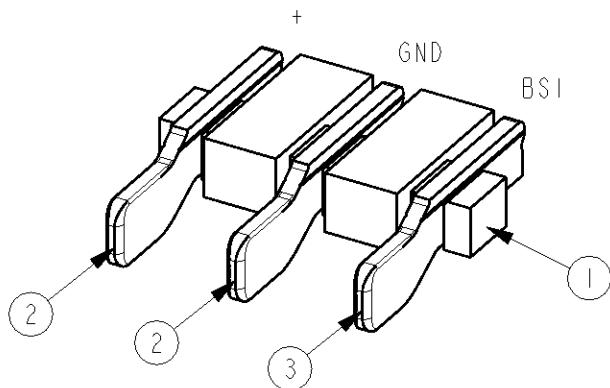
LOC	DIST	REVISIONS					
H	-	P	LTR	DESCRIPTION	DATE	DWN	APVD
				SEE SHEET 1			

NOTES:

- 1 DRAWING REPRESENTS PART VERSION "A2".
TE PN 3-1857269-1.
- 2 PLATING:
1,2µm MIN. NICKEL ALL OVER
0,8µm MIN. GOLD ON CONTACT AREA
0,05 - 0,2µm GOLD ON SOLDER AREA
- 3 COPLANARITY OF SOLDER SURFACES 0,08 MAX.
- 4 DIMENSION DEPENDS ON DISTANCE BETWEEN
PWB AND BATTERY, SEE TABLE ON SHEET 5.
- 5 MARKING: VERSION, PROCESS ID (##),
PRODUCTION DATE (YWW, YEAR AND WEEK).
- 6 MARKING: CAVITY ID.
- 7 PICK&PLACE AREA.



ITEM NO.	DESCRIPTION	MATERIAL	FINISH
3	CONTACT, FIRST BREAK	COPPER ALLOY	GOLD PLATED
2	CONTACT, LAST BREAK	COPPER ALLOY	GOLD PLATED
1	HOUSING	PLASTIC, GF	-



SCALE 5:1

THIS DRAWING IS A CONTROLLED DOCUMENT.

DIMENSIONS:	TOLERANCES UNLESS OTHERWISE SPECIFIED:
mm	
	0 PLC ±-
	1 PLC ±0,2
	2 PLC ±0,1
	3 PLC ±-
	4 PLC ±-
	ANGLES ±

MATERIAL - FINISH -

DWN 20 MAR 2008

P. Willems

CHK 20 MAR 2008

P. Willems

APVD 20 MAR 2008

D. Halberstadt

PRODUCT SPEC

108-19276

APPLICATION SPEC

-

WEIGHT -

CUSTOMER DRAWING



NAME
**PLUG CONNECTOR
 EDGE-TYPE, 3 POSITION
 BATTERY BLOCK**

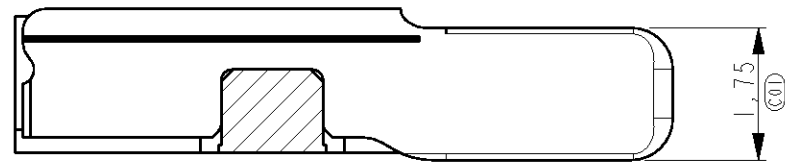
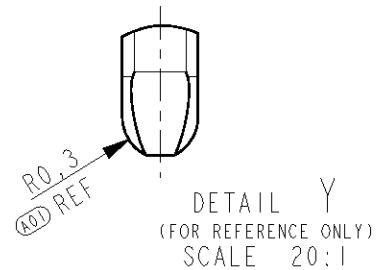
SIZE	CAGE CODE	DRAWING NO	RESTRICTED TO
A3	00779	C=1857269	-

SCALE 10:1 SHEET 2 OF 7 REV J

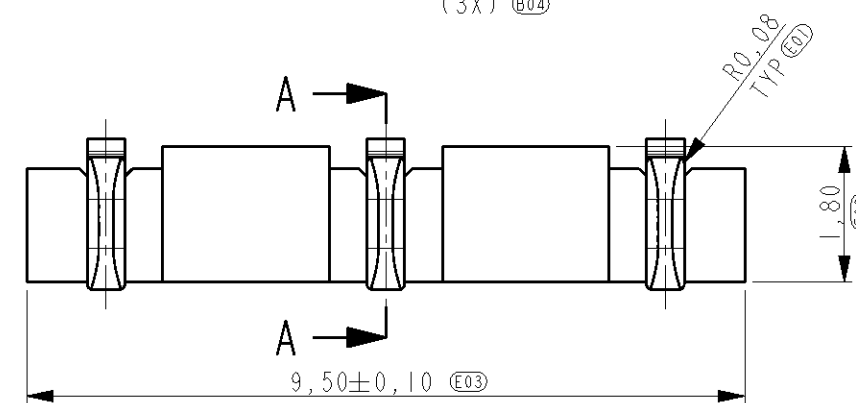
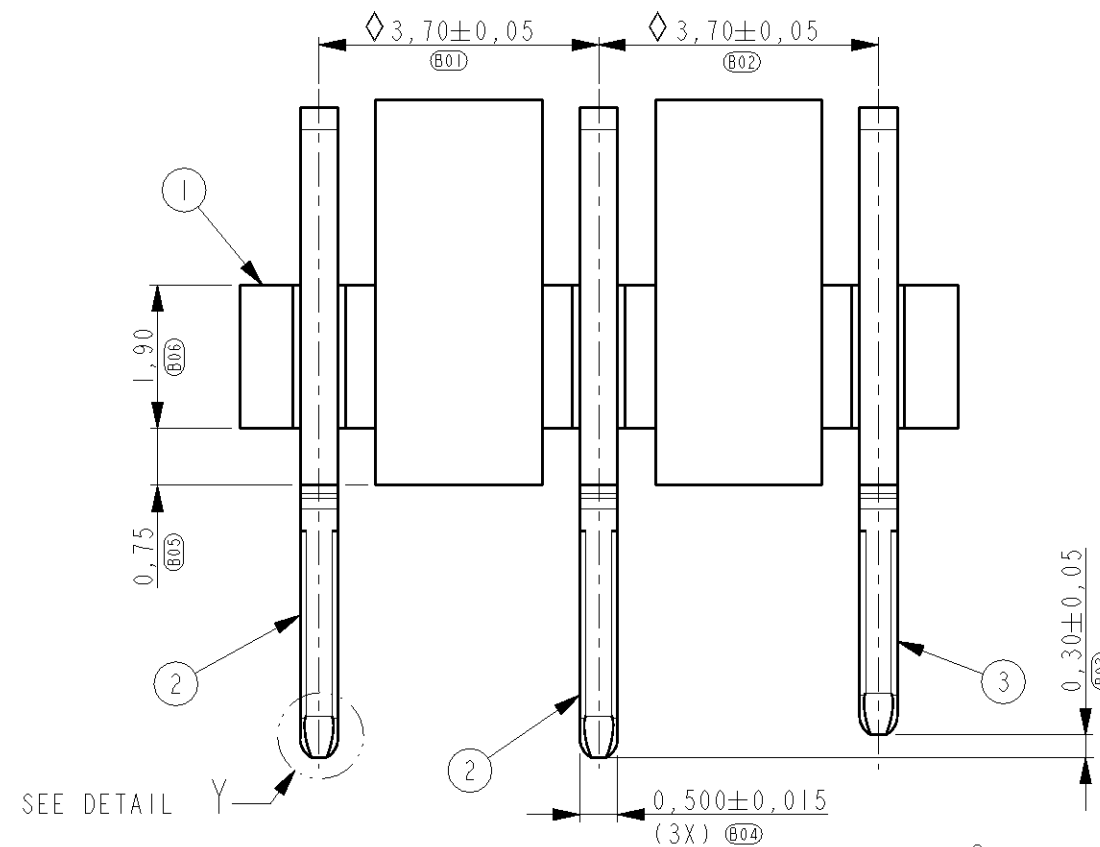
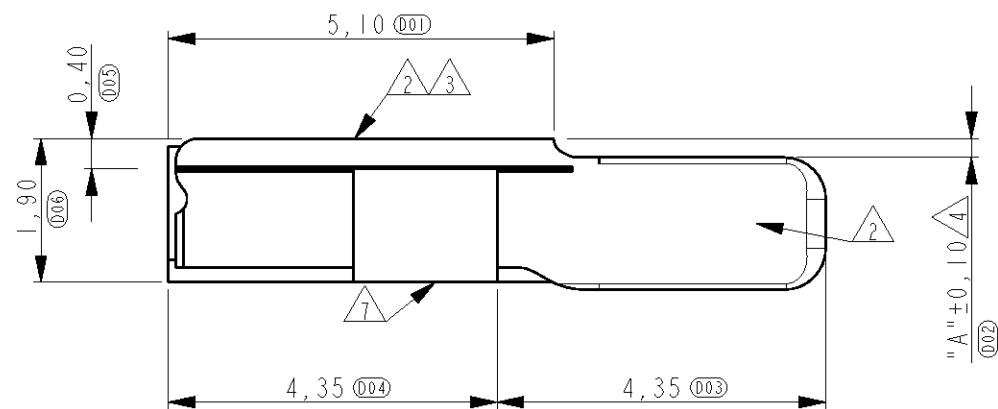
LOC	DIST	REVISIONS					
H	-	P	LTR	DESCRIPTION	DATE	DWN	APVD
				SEE SHEET 1			

NOTES:

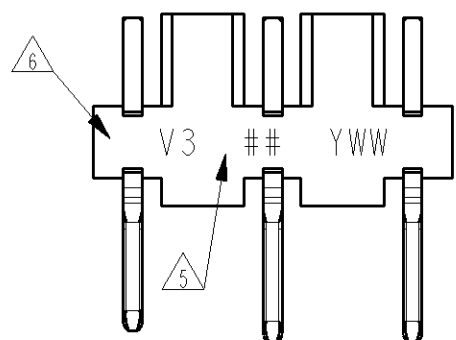
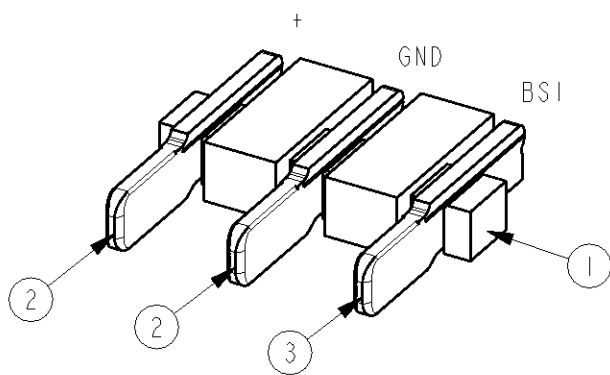
- 1 DRAWING REPRESENTS PART VERSION "V3".
TE PN 2-1857269-7.
- 2 PLATING:
1,2µm MIN. NICKEL ALL OVER
0,8µm MIN. GOLD ON CONTACT AREA
0,05 - 0,2µm GOLD ON SOLDER AREA
- 3 COPLANARITY OF SOLDER SURFACES 0,08 MAX.
- 4 DIMENSION DEPENDS ON DISTANCE BETWEEN
PWB AND BATTERY, SEE TABLE ON SHEET 5.
- 5 MARKING: VERSION, PROCESS ID (##),
PRODUCTION DATE (YWW, YEAR AND WEEK).
- 6 MARKING: CAVITY ID.
- 7 PICK&PLACE AREA.



SECTION A-A



ITEM NO.	DESCRIPTION	MATERIAL	FINISH
3	CONTACT, FIRST BREAK	COPPER ALLOY	GOLD PLATED
2	CONTACT, LAST BREAK	COPPER ALLOY	GOLD PLATED
1	HOUSING	PLASTIC, GF	-



SCALE 5:1

THIS DRAWING IS A CONTROLLED DOCUMENT.

DIMENSIONS:	TOLERANCES UNLESS OTHERWISE SPECIFIED:
mm	
	0 PLC ±-
	1 PLC ±0,2
	2 PLC ±0,1
	3 PLC ±-
	4 PLC ±-
	ANGLES ±

MATERIAL - FINISH -

DWN 13 MAR 2012 P. Willems

CHK 13 MAR 2012 P. Willems

APVD 13 MAR 2012 D. Halberstadt

PRODUCT SPEC 108-19276

APPLICATION SPEC -

WEIGHT -

CUSTOMER DRAWING



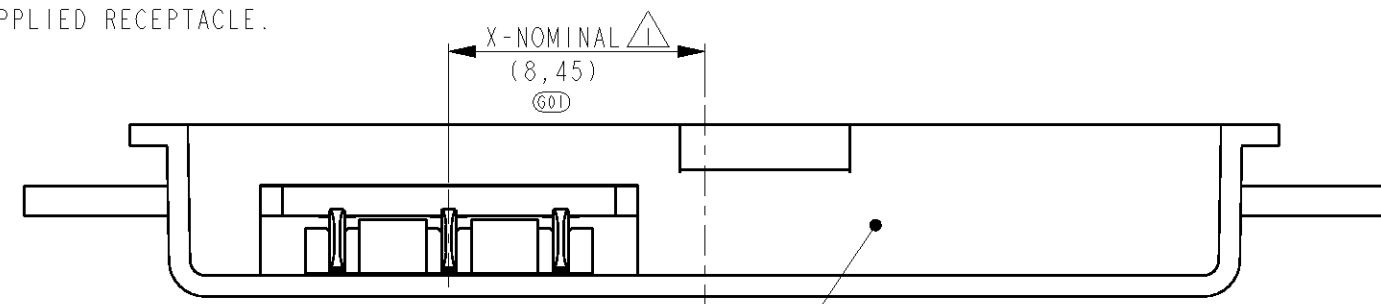
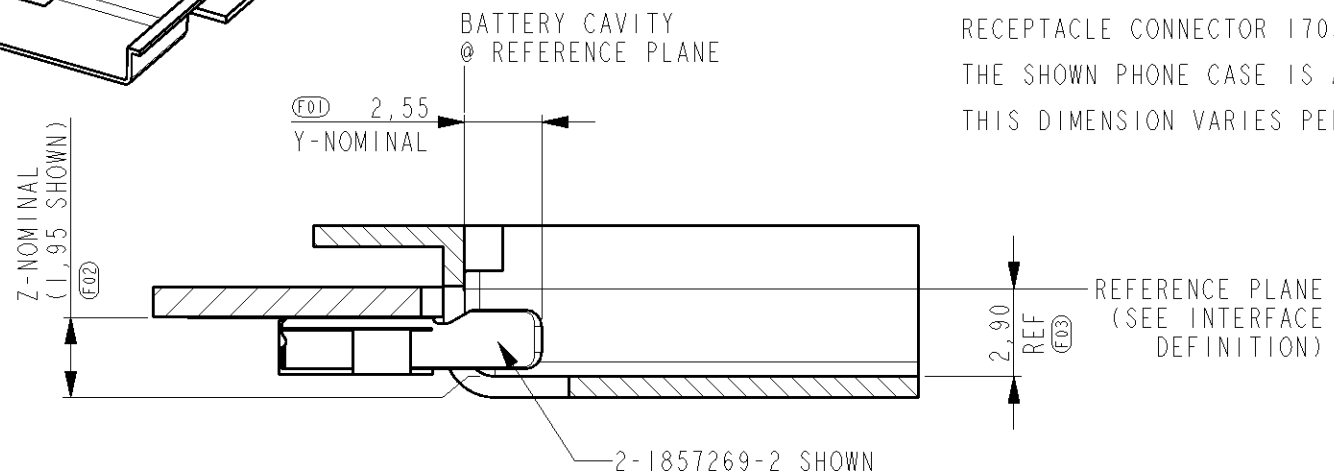
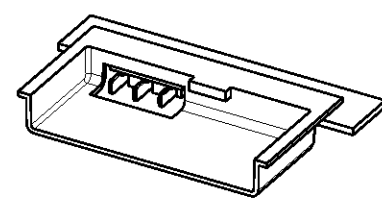
NAME PLUG CONNECTOR EDGE-TYPE, 3 POSITION BATTERY BLOCK

SIZE A3 CAGE CODE 00779 DRAWING NO. C=1857269 RESTRICTED TO -

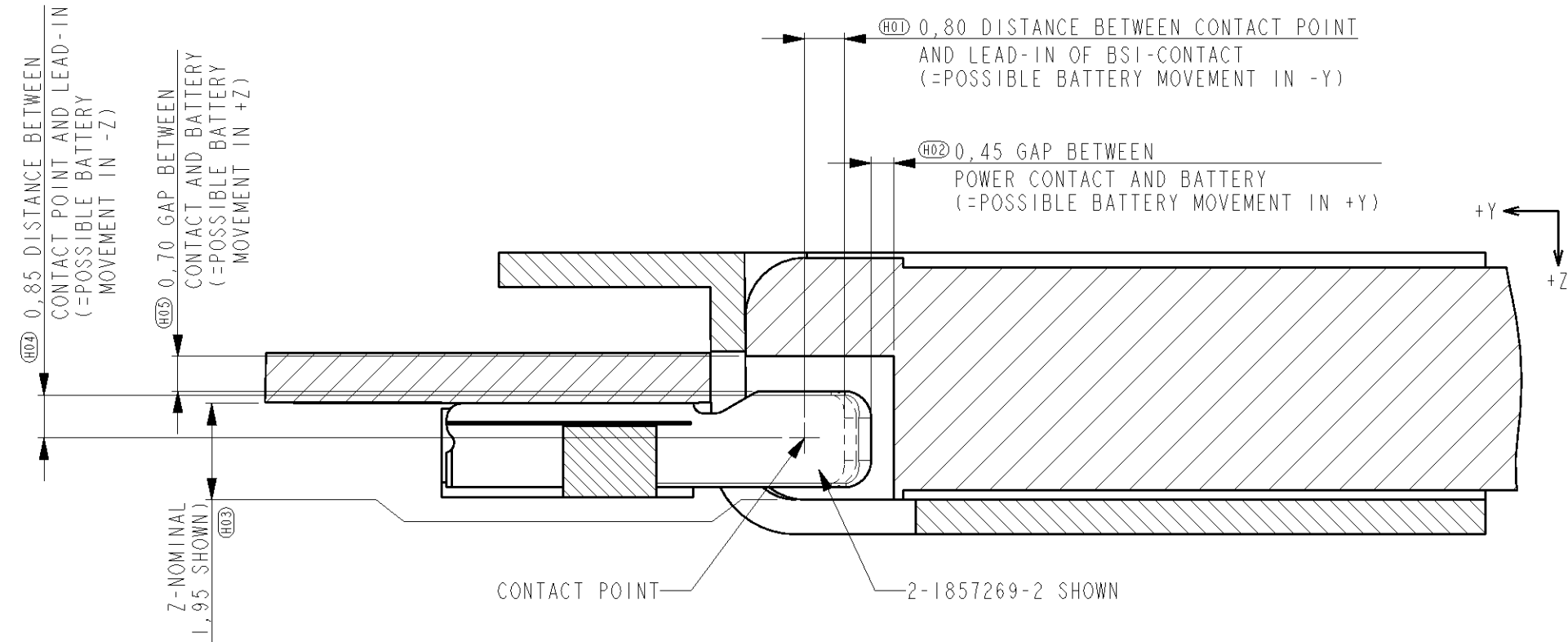
SCALE 10:1 SHEET 3 OF 7 REV J

LOC	DIST	REVISIONS			
P	LTR	DESCRIPTION	DATE	DWN	APVD
H	-	SEE SHEET 1	-	-	-

NOTES:
 △ REF DIMENSION REFERS TO DIMENSION B05 FROM BL-4B RECEPTACLE CONNECTOR 1705714-1.
 THE SHOWN PHONE CASE IS ALSO BASED ON BL-4B DESIGN. THIS DIMENSION VARIES PER APPLIED RECEPTACLE.



CONNECTOR POSITIONING



WORKING RANGE:
 (PERMITTED BATTERY MOVEMENT)
 IN X-DIRECTION ±0,50 SYMMETRICAL
 IN Y-DIRECTION 1,25 TOTAL
 IN -Y-DIRECTION 0,80 (BATTERY LENGTH TOLERANCE, PHONE CASE TOLERANCE, ASSEMBLY TOLERANCE, PHONE FLEXIBILITY)
 IN +Y-DIRECTION 0,45 (ASSEMBLY TOLERANCE, PHONE FLEXIBILITY)
 IN Z-DIRECTION 1,55 TOTAL
 IN -Z-DIRECTION 0,85 (BATTERY FRONT TOLERANCE, PHONE CASE TOLERANCE, PHONE FLEXIBILITY)
 IN +Z-DIRECTION 0,70 (PHONE CASE TOLERANCE, PHONE FLEXIBILITY)
 THESE VALUES APPLY IF Z-NOMINAL IS IN THE CENTER OF THE RANGE SPECIFIED FOR THE PLUG (AS SHOWN HERE).

WORKING RANGE

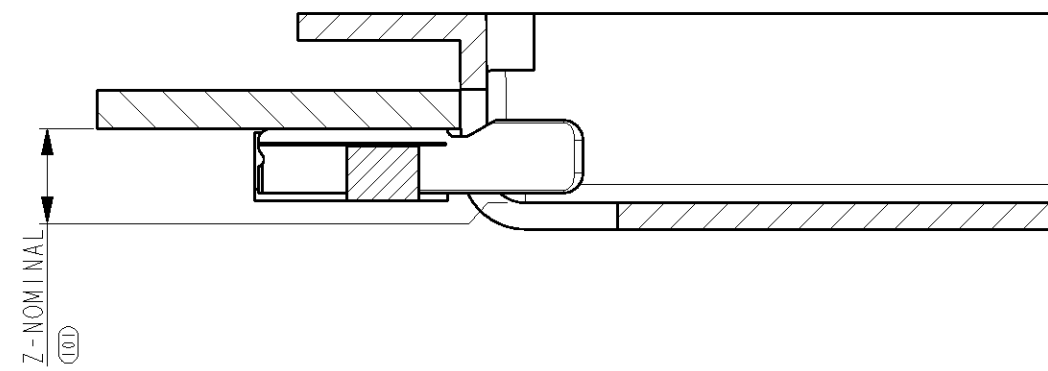
SCALE 8:1

THIS DRAWING IS A CONTROLLED DOCUMENT.		DWN J. Tuin 16 AUG 2005	TE Connectivity NAME PLUG CONNECTOR EDGE-TYPE, 3 POSITION BATTERY BLOCK SIZE A3 CAGE CODE 00779 DRAWING NO. C-1857269 RESTRICTED TO -	
DIMENSIONS: mm		CHK J. Tuin 16 AUG 2005		
TOLERANCES UNLESS OTHERWISE SPECIFIED:		APVD D. Halberstadt 16 AUG 2005		
0 PLC ±- 1 PLC ±0,2 2 PLC ±0,1 3 PLC ±- 4 PLC ±- ANGLES ±-		PRODUCT SPEC 108-19276		
MATERIAL -	FINISH -	APPLICATION SPEC -	WEIGHT -	SCALE 10:1 SHEET 4 OF 7 REV J

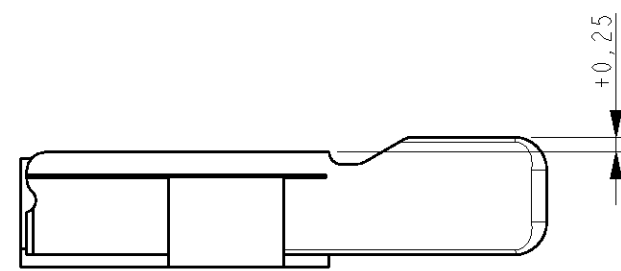
THIS DRAWING IS UNPUBLISHED. RELEASED FOR PUBLICATION

© COPYRIGHT - Tyco Electronics AMP GmbH ALL RIGHTS RESERVED.

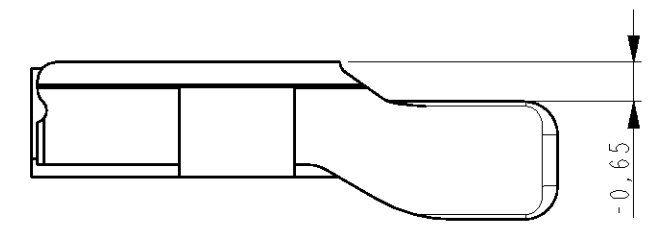
LOC	DIST	REVISIONS					
H	-	P	LTR	DESCRIPTION	DATE	DWN	APVD
			-	SEE SHEET 1	-	-	-



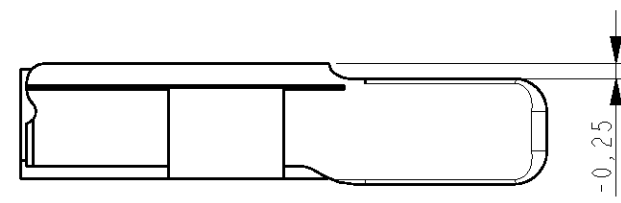
NMP CODE	PART NUMBER	Z-NOMINAL RANGE	DIMENSION "A"	MASS [mg]
5469723	2-1857269-2	<2,2 (1,75 - 2,15)	+0,25	266
5469C09	2-1857269-7	<2,7 (2,25 - 2,65)	-0,25	261
5469470	3-1857269-1	<3,1 (2,65 - 3,05)	-0,65	270



2-1857269-2



3-1857269-1



2-1857269-7

PRODUCT SELECTION

THIS DRAWING IS A CONTROLLED DOCUMENT.		DWN J. Tuin 16 AUG 2005	TE Connectivity		
DIMENSIONS: mm		CHK J. Tuin 16 AUG 2005			
TOLERANCES UNLESS OTHERWISE SPECIFIED:		APVD D. Halberstadt 16 AUG 2005	NAME PLUG CONNECTOR EDGE-TYPE, 3 POSITION BATTERY BLOCK		
0 PLC ±- 1 PLC ±0,2 2 PLC ±0,1 3 PLC ±- 4 PLC ±- ANGLES ±-		PRODUCT SPEC 108-19276	RESTRICTED TO		
MATERIAL - FINISH -		APPLICATION SPEC -	SIZE A3	CAGE CODE 00779	DRAWING NO C=1857269
		WEIGHT -	SCALE 10:1 SHEET 5 OF 7 REV J		
		CUSTOMER DRAWING			

THIS DRAWING IS UNPUBLISHED.

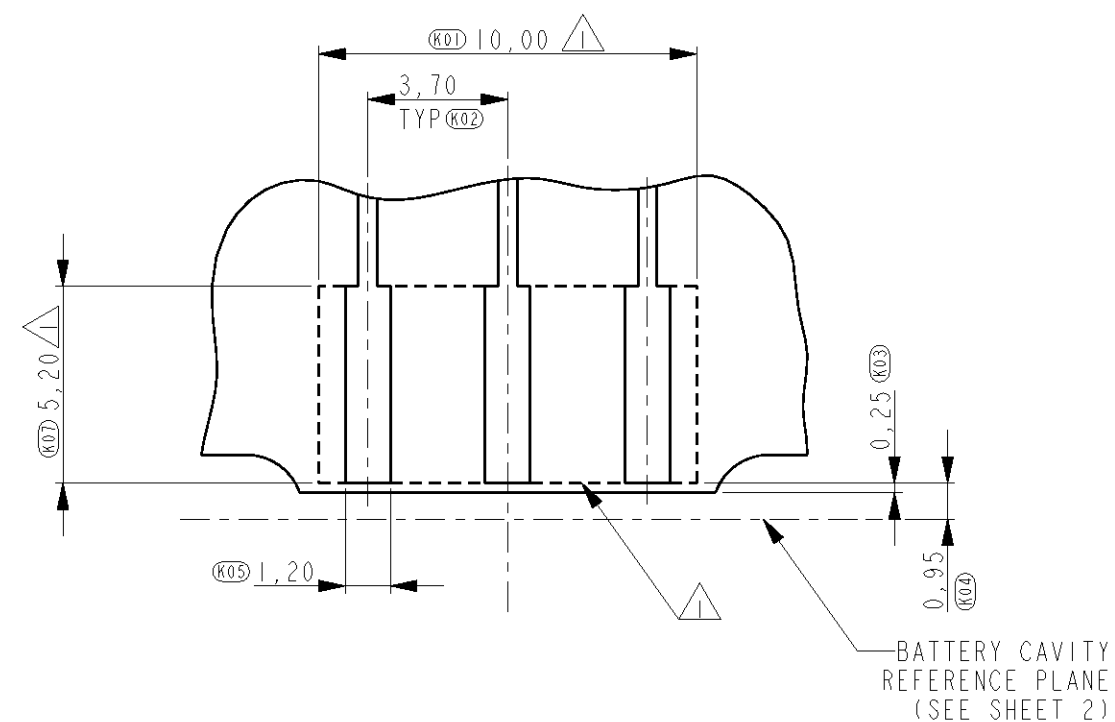
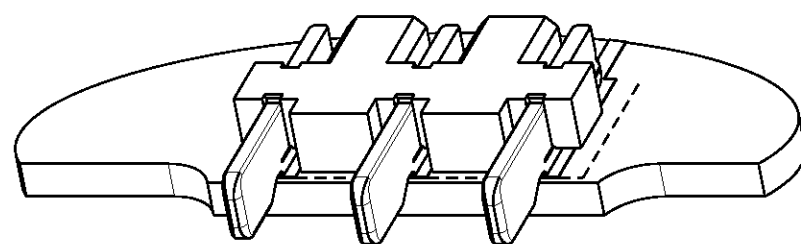
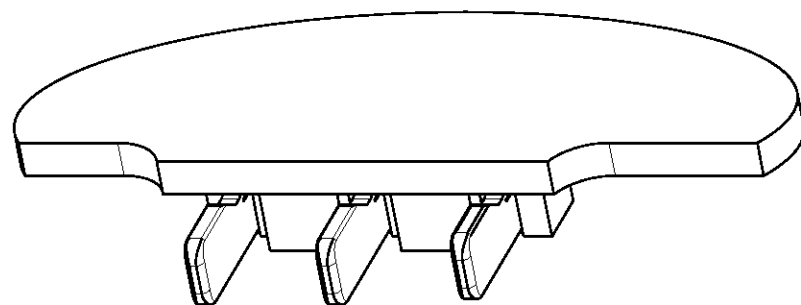
RELEASED FOR PUBLICATION

© COPYRIGHT -

Tyco Electronics AMP GmbH

ALL RIGHTS RESERVED.

LOC	DIST	REVISIONS					
H	-	P	LTR	DESCRIPTION	DATE	DWN	APVD
				SEE SHEET 1	-	-	-



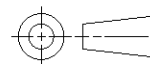
NOTES:

△ AREA FREE OF SOLDER SCREEN.

THIS DRAWING IS A CONTROLLED DOCUMENT.

DIMENSIONS:

mm



TOLERANCES UNLESS OTHERWISE SPECIFIED:

0 PLC	±
1 PLC	±0,2
2 PLC	±0,1
3 PLC	±
4 PLC	±
ANGLES	±

MATERIAL

-

FINISH

-

DWN	J. Tuin	16 AUG 2005
CHK	J. Tuin	16 AUG 2005
APVD	D. Halberstadt	16 AUG 2005

PRODUCT SPEC

108-19276

APPLICATION SPEC

WEIGHT

-

CUSTOMER DRAWING



TE Connectivity

NAME
**PLUG CONNECTOR
 EDGE-TYPE, 3 POSITION
 BATTERY BLOCK**

SIZE	CAGE CODE	DRAWING NO	RESTRICTED TO
A3	00779	©=1857269	-

SCALE 10:1 SHEET 6 OF 7 REV J

THIS DRAWING IS UNPUBLISHED.

RELEASED FOR PUBLICATION

© COPYRIGHT - Tyco Electronics AMP GmbH

ALL RIGHTS RESERVED.

LOC
H

DIST
-

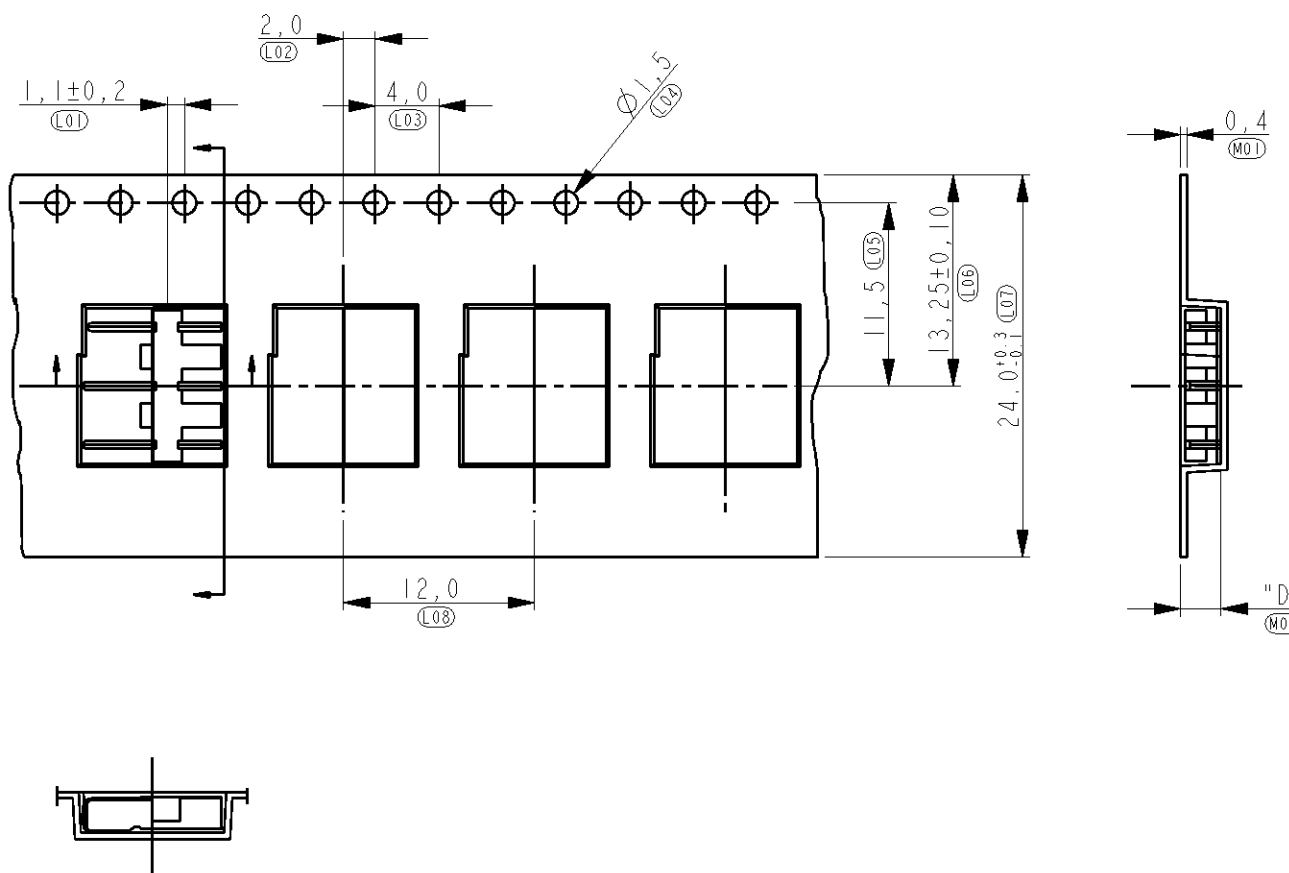
REVISIONS

P	LTR	DESCRIPTION	DATE	DWN	APVD
	-	SEE SHEET 1	-	-	-

PART NUMBER	QUANTITY PER REEL	DIMENSION "D"
2-1857269-2	1800	2,6
2-1857269-7	1800	2,3
3-1857269-1	1500	2,9

NOTES:

1 REEL DIMENSION: 330x101x24,4.



THIS DRAWING IS A CONTROLLED DOCUMENT.

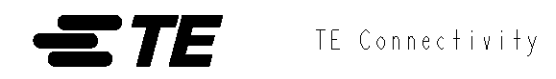
DIMENSIONS:	TOLERANCES UNLESS OTHERWISE SPECIFIED:
mm	
	0 PLC ±-
	1 PLC ±0,2
	2 PLC ±0,1
	3 PLC ±-
	4 PLC ±-
	ANGLES ±-

MATERIAL - FINISH -

DWN J. Tuin 16 AUG 2005
 CHK J. Tuin 16 AUG 2005
 APVD D. Halberstadt 16 AUG 2005

PRODUCT SPEC 108-19276
 APPLICATION SPEC -
 WEIGHT -

CUSTOMER DRAWING



NAME PLUG CONNECTOR
 EDGE-TYPE, 3 POSITION
 BATTERY BLOCK

SIZE	CAGE CODE	DRAWING NO	RESTRICTED TO
A3	00779	1857269	-

SCALE 10:1 SHEET 7 OF 7 REV J