

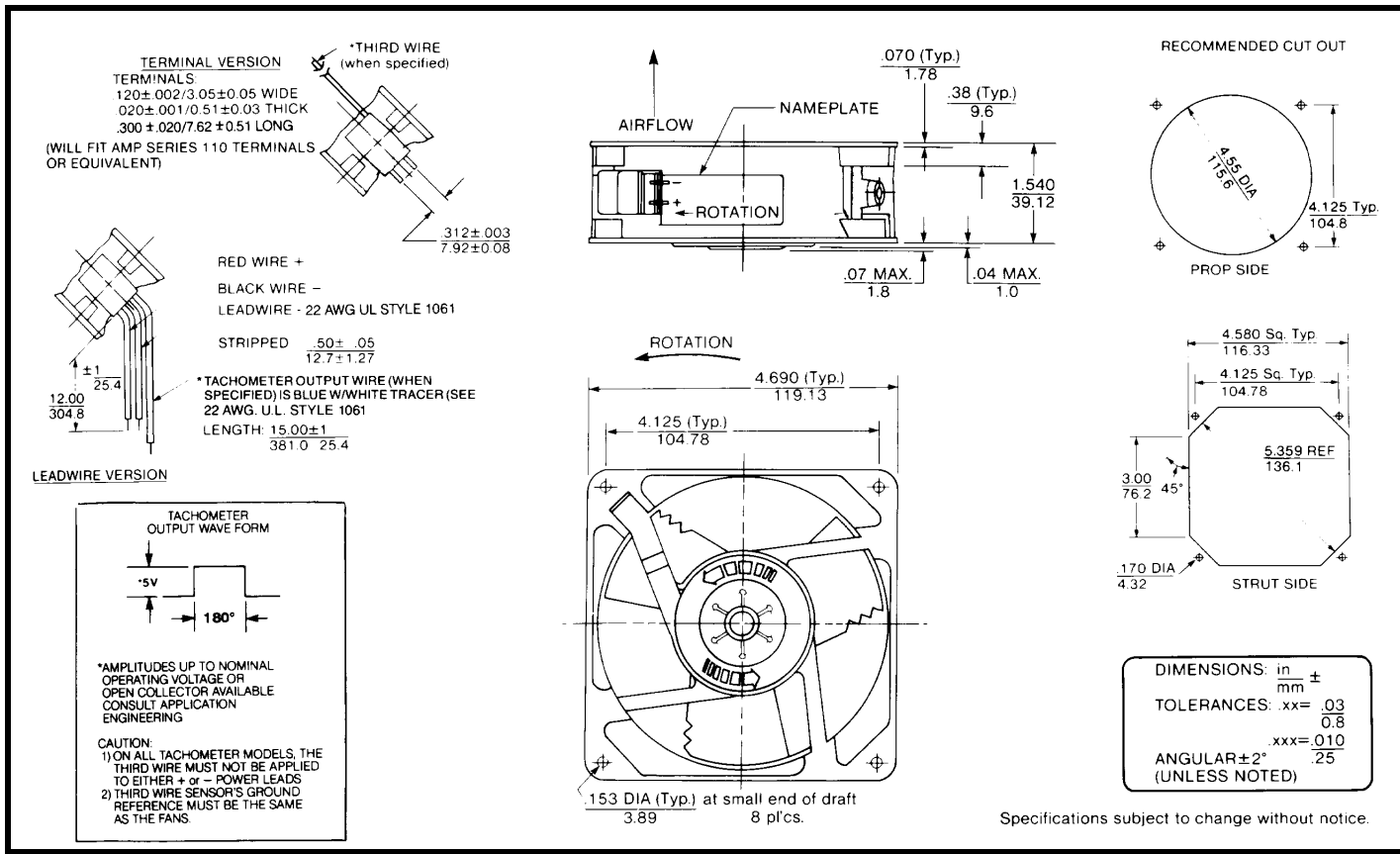
# SPECIFICATIONS



**Model Number:** MD28B5  
**Part Number:** 19032105A  
**SPEC Number:** 26014029A

November 23, 2011

## Mechanical Drawing:



### Motor:

Nominal Voltage = 28 vdc  
 Operating Voltage Range = 16 – 32 vdc  
 Nominal Running Current = 0.230 amps  
 Locked Rotor Current = 1.120 amps  
 Running Power = 6.5 watts  
 Average Speed = 3100 rpm  
 Bearings = Ball  
 Air Flow = 110 CFM

### Construction:

Venturi: Die-Cast Zinc Alloy, Black  
 Propeller: Plastic, Black, UL 94V-0

### Life Expectancy:

This fan is designed for continuous duty life of 83,000 hours at 40°C.

### Agency Approvals:

UL, CE

### Additional Features:

Brushless DC Motor  
 Automatic Restart Capability  
 Locked Rotor Protection  
 Polarity Protection  
 Operating Temperature -10° C to 70° C  
 Storage Temperature: -40°C to 85°C

### Tachometer Output:

Output: 5 volt TTL compatible  
 Pulse per Revolution: 2  
 Isolated: No

### Termination:

12" Lead wires, 22 AWG, UL 1061  
 Red – Power  
 Black – Return  
 Blue/White - Tachometer