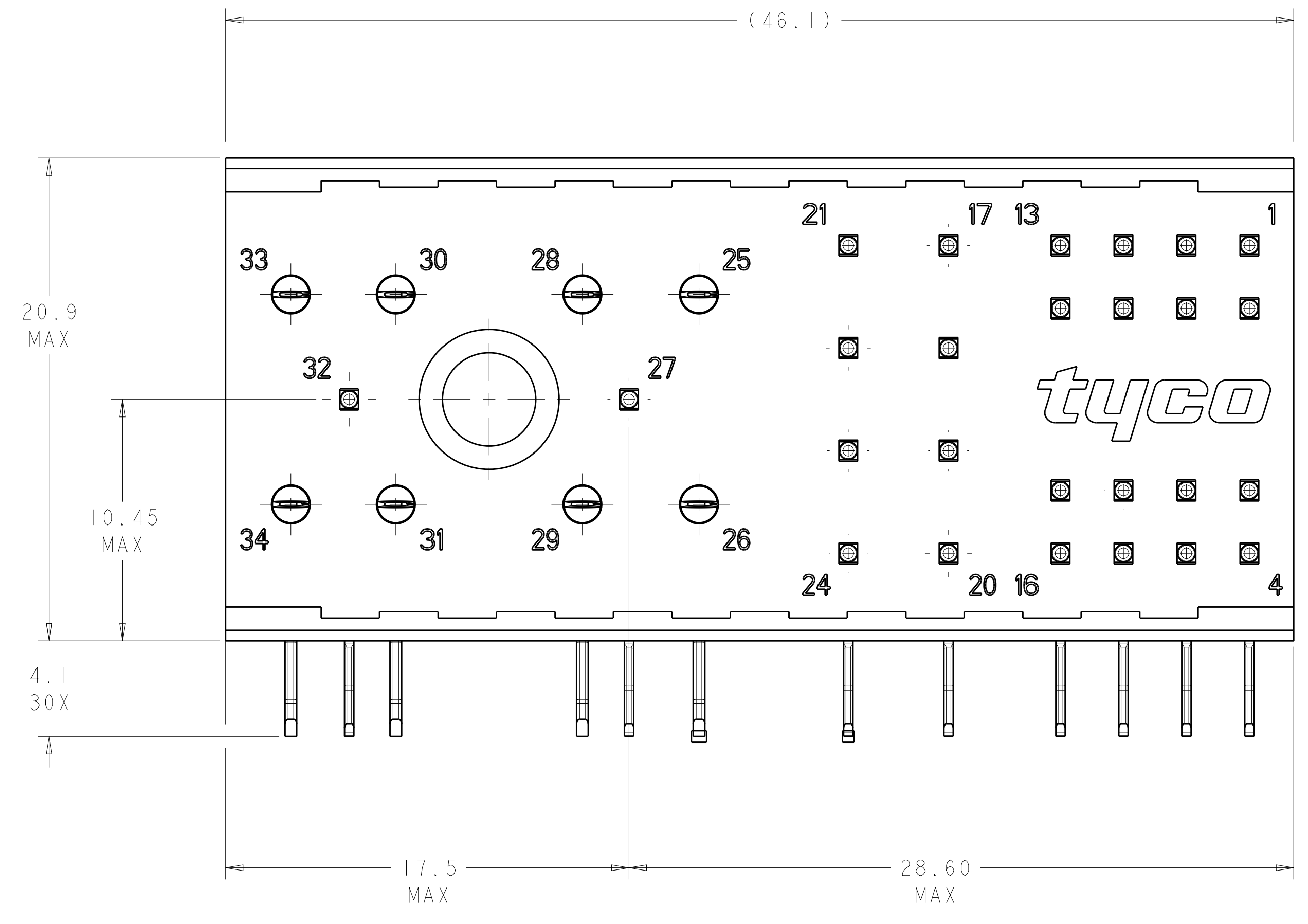
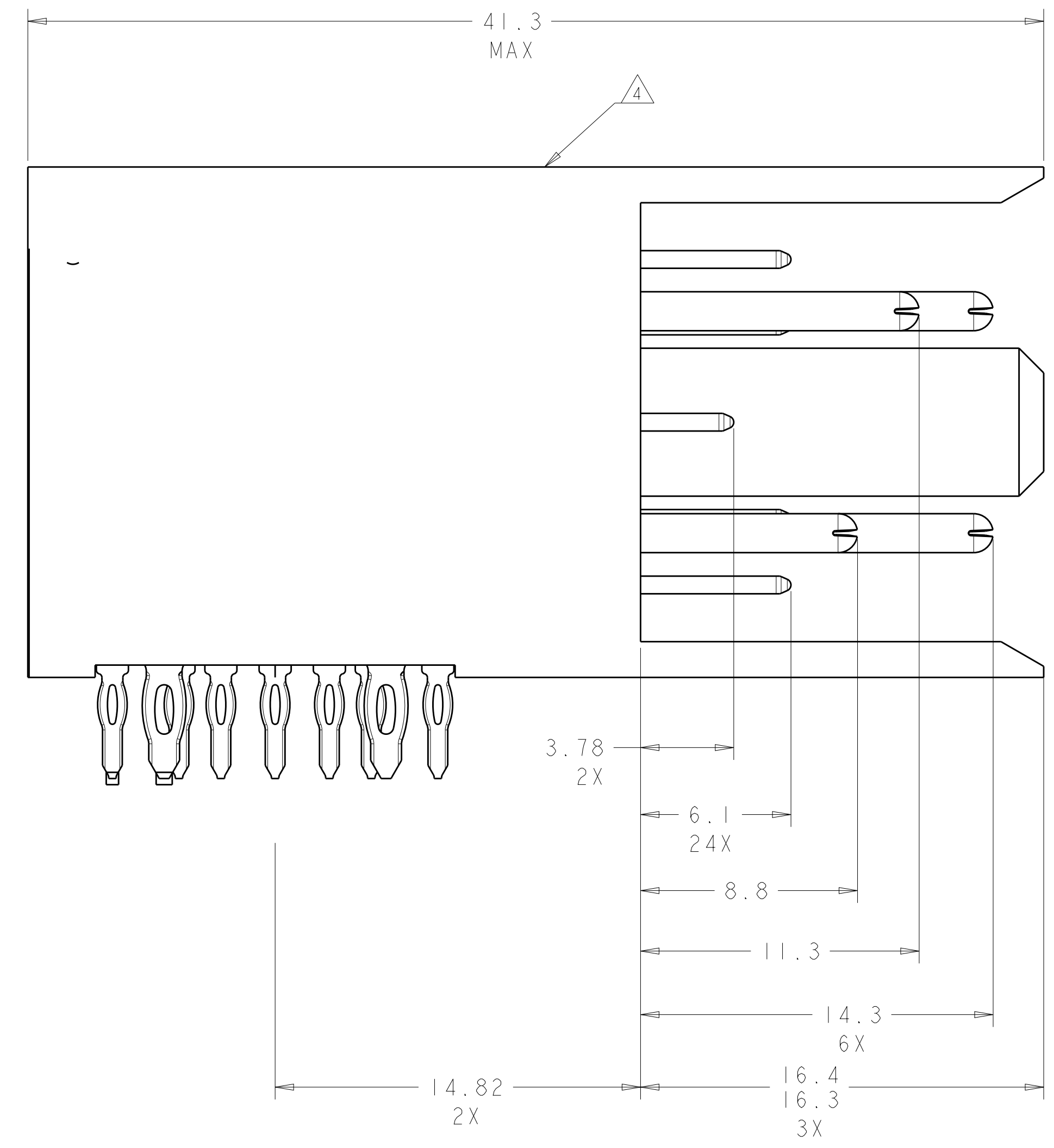


LOC		DIST		REVISIONS			
P	LTN	DESCRIPTION	DATE	DWN	APVD		
C		REV PER ECR-12-016995	04NOV2012	OL	SZ		



- △ MATERIALS:
 HOUSING: HIGH TEMP THERMOPLASTIC, UL94V-0, GRAY.
 SIGNAL CONTACTS: COPPER ALLOY
 POWER CONTACTS: COPPER ALLOY
- △ CONTACT FINISH:
 ALL OVER: 0.00127 MIN NICKEL
 COMPLIANT PIN AREA: 0.00127 MIN TIN
 MATING AREA: 0.00076 MIN GOLD
- △ HOLES INDICATED ARE NOT REQUIRED FOR TYCO PRODUCT
- △ TYCO PART NUMBER AND DATE CODE (YYWW) LOCATED ON SURFACE INDICATED.
- △ DATUM AND BASIC DIMENSION TO BE ESTABLISHED BY CUSTOMER.
- △ CONTACT FINISH:
 ALL OVER: 0.00127 MIN NICKEL
 COMPLIANT PIN AREA: 0.00127 MIN TIN-LEAD
 MATING AREA: 0.00076 MIN GOLD
7. CONTACT AREA LUBRICATED WITH BELLCORE APPROVED LUBRICANT, TECHNICAL REFERENCE: GR-1217-COR, ISSUE 1, NOVEMBER 1995.

SEQUENCING TABLE	
CONTACT POSN	PIN LENGTH
1-24	6.1
25,26,28-31	14.3
27,32	3.8
33	11.3
34	8.8

OBSELETE	△	Ø	CONTACT QTY	SIZE NO	PART NO
	6	0.762	26	22	1888803-2
		1.58	8	16	
	2	0.762	26	22	1888803-1
		1.58	8	16	

THIS DRAWING IS A CONTROLLED DOCUMENT. DWN: G. PETERS 13DEC2006
 CHK: M. PERCHERKE 13DEC2006
 APVD: S. ELICKINGER 13DEC2006

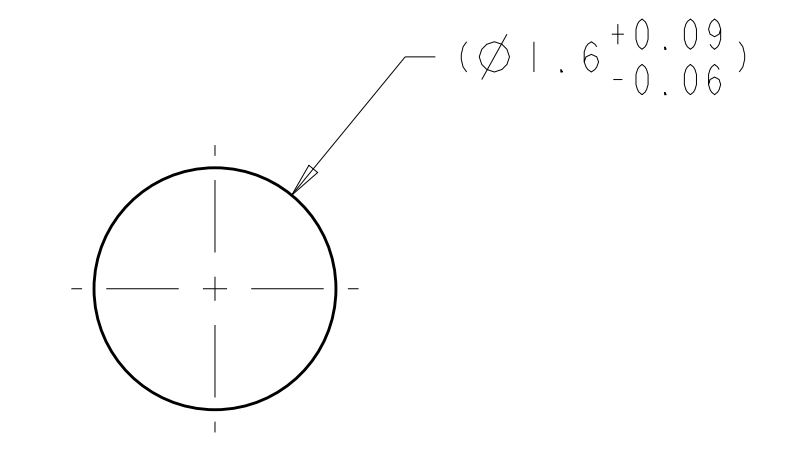
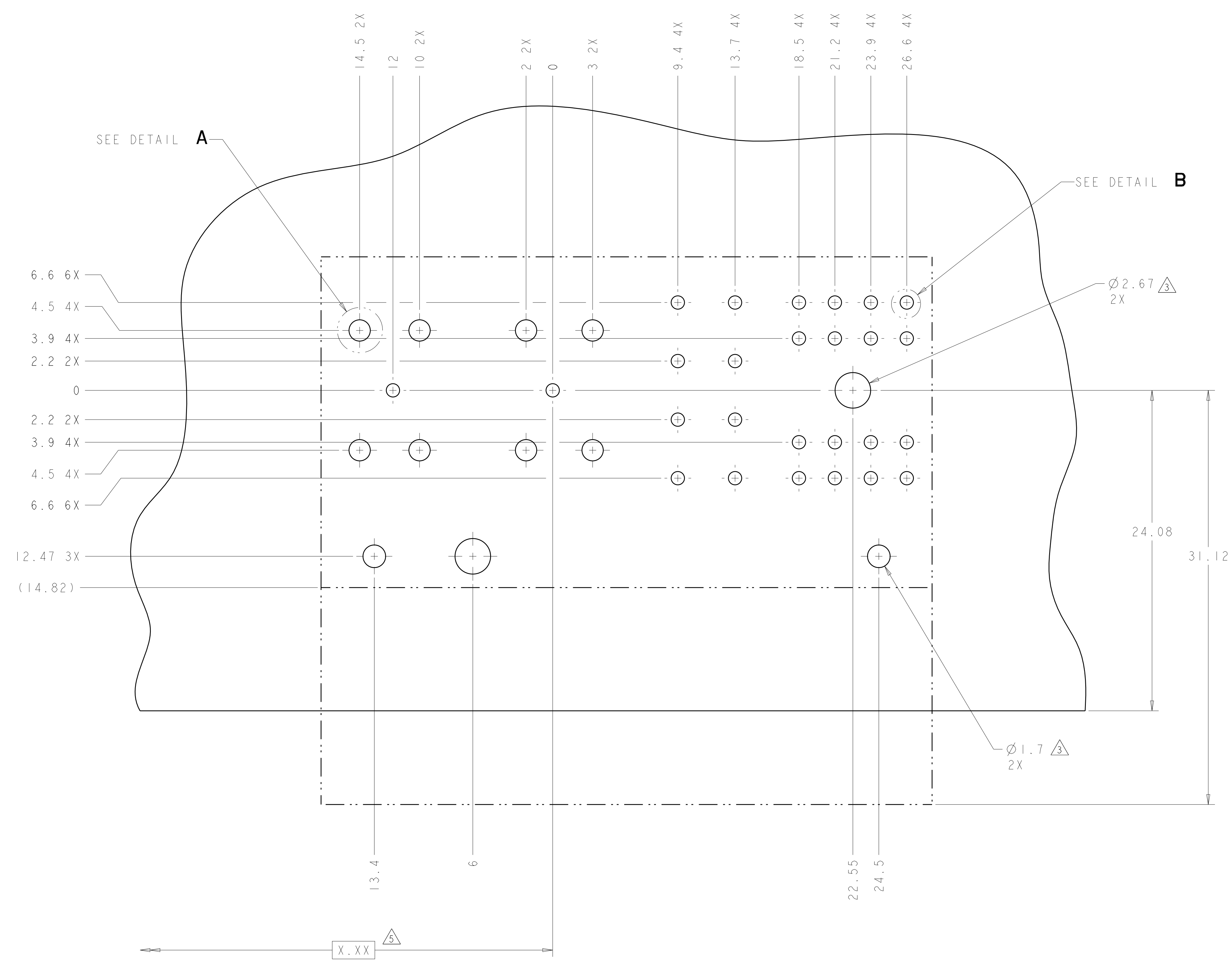
DIMENSIONS: mm
 TOLERANCES UNLESS OTHERWISE SPECIFIED:
 0 PLC ±0.5
 1 PLC ±0.13
 2 PLC ±0.013
 3 PLC ±0.013
 4 PLC ±0.001
 ANGLES ±0.0001

MATERIAL: FINISH: △ 2 △ 6

Customer Drawing SCALE: 6:1 SHEET 1 OF 2 REV C

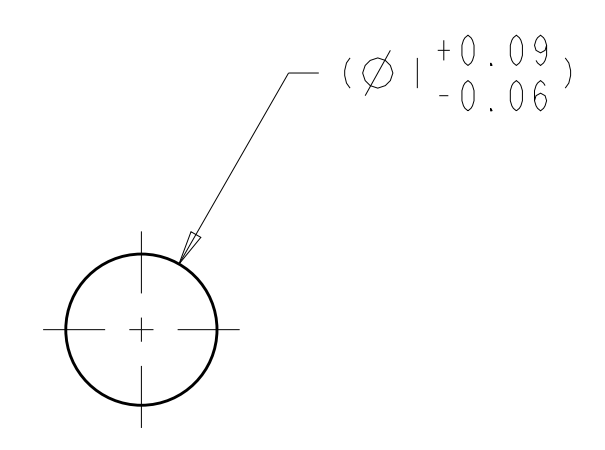
STE TE Connectivity
 NAME: ASSEMBLY, RT ANGLE, AdvancedTCA
 PRODUCT SPEC: 108-2216
 APPLICATION SPEC: 114-13156
 WEIGHT: A100779C=1888803
 SIZE: CAGE CODE DRAWING NO: 114-13156

LOC	DIST	REVISIONS					
GP	00	P	LTN	DESCRIPTION	DATE	DWN	APVD
-	-	-	-	SEE SHEET 1	-	-	-



DETAIL A
 SCALE 20:1
 8X (SIZE 16)

FINISHED HOLE: $\varnothing 1.6^{+0.09}_{-0.06}$
 DRILLED HOLE: $\varnothing 1.75 \pm 0.025$
 COPPER PLATE: 0.025 MIN (PER SURFACE)
 TIN PLATE: 0.008 MIN (PER SURFACE)



DETAIL B
 SCALE 20:1
 26X (SIZE 22)

FINISHED HOLE: $\varnothing 1^{+0.09}_{-0.06}$
 DRILLED HOLE: $\varnothing 1.15 \pm 0.025$
 COPPER PLATE: 0.025 MIN (PER SURFACE)
 TIN PLATE: 0.008 MIN (PER SURFACE)

RECOMMENDED PCB LAYOUT
 VIEWED FROM CONNECTOR SIDE

THIS DRAWING IS A CONTROLLED DOCUMENT.		DWN G. PETERS 13DEC2006	TE Connectivity	
DIMENSIONS:		CHK M. PERCHERKE 13DEC2006		
mm	TOLERANCES UNLESS OTHERWISE SPECIFIED:	APVD S. FLICKINGER 13DEC2006	NAME ASSEMBLY, RT ANGLE, AdvancedTCA	
0 PLC ± 1 PLC ±0.5 2 PLC ±0.13 3 PLC ±0.013 4 PLC ±0.0001 ANGLES ±	PRODUCT SPEC 108-2216 APPLICATION SPEC 114-13156 WEIGHT Customer Drawing	SIZE A100779	CAGE CODE C=1888803	DRAWING NO 1888803
MATERIAL	FINISH	RESTRICTED TO	SCALE 6:1	SHEET 2 OF 2