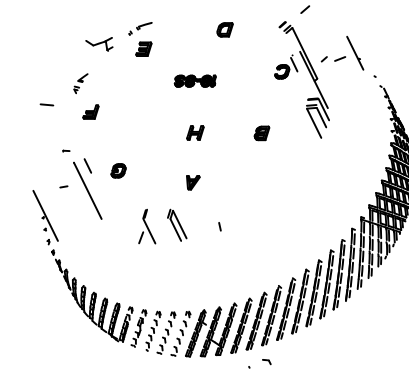
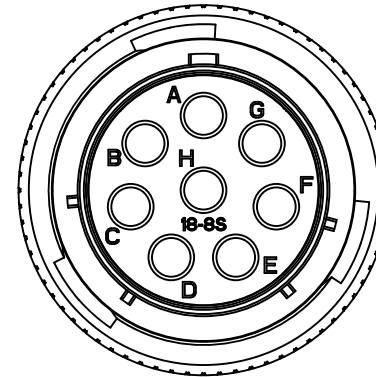
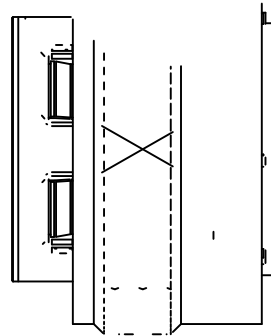


REVISIONS					
REV	ECO	DESCRIPTION	DATE	BY	APPR
B1	-	RELEASED DRAWING	JUN-28-2014	BEN	TOMMY



NOTES (UNLESS OTHERWISE SPECIFIED)

- MATERIAL
SHELL ZINC ALLOY NICKEL PLATED.
INSERT THERMOPLASTIC UL94 V-0.
COUPLING NUT AL ALLOY, NICKEL PLATED.
WAVE WASHER STAINLESS STEEL.
O-RING NBR.
- SPECIFICATIONS
2.1 RATED CURRENT 23A (MAX).
2.2 RATED VOLTAGE 375V AC/DC .
2.3 OPERATING TEMPERATURE -40°C +105°C.
2.4 DIELECTRIC WITHSTANDING VOLTAGE LESS THAN
2 MILLIAMPS CURRENT LEAKAGE@ 2000 VOLTS AC.
2.5 INSULATION RESISTANCE 5000 MEGOHMS MIN.
2.6 IP--CLASS IP67.
2.7 MATING CYCLES DURABILITY 500 CYCLES MIN.
2.8 ROHS COMPLIANT.
- SUITABLE CONTACTS 2.5mm CONTACTS.
- ALL DIMENSIONS ARE FOR REFERENCE USE ONLY.

KEY POS	PART NUMBER
N	RT06188SNH
W	RT06188SWH
X	RT06188SXH
Y	RT06188SYH
Z	RT06188SZH

QUANTITY	SEE PART NUMBER CHART PART NUMBER	DESCRIPTION	ITEM
MATERIALS LIST			
UNLESS OTHERWISE SPECIFIED 1) All dimensions are in metric(mm). 2) Tolerances are as follows: 1 PL DEC ±0.30 2 PL DEC ±0.15 3 PL DEC ±0.08 Fractions ±1/64 Angles ±1° 3) Note reference =		SIGNATURES DRAWN: BEN CHECKED: ENGINEER: APPROVAL: DATE JUN-28-2014	 Sine Systems - www.amphenol-sine.com 44724 Morley Drive Clinton Township, MI 48036
MATERIAL SPECIFICATIONS:		CUSTOMER:	ECO-MATE, PLUG, SIZE 18,8POS, SOCKET.
PROCESS SPECIFICATIONS:		THIS DRAWING IS SUPPLIED FOR INFORMATION ONLY. DESIGN FEATURES, SPECIFICATIONS AND PERFORMANCE DATA SHOWN HEREON ARE THE PROPERTY OF THE AMPHENOL CORPORATION. NO RIGHTS OF REPRODUCTION ARE IMPLIED. ALL DIMENSIONS ARE SUBJECT TO NORMAL MANUFACTURING VARIATIONS.	
NEXT ASSY:		SIZE: B TYPE: C- SCALE: NONE	DWG NO: RT06188S*H REVISION: B1 SHEET 1 OF 1

TITLE: ECO-MATE, PLUG, SIZE 18,8POS, SOCKET.
 DWG NO: RT06188S*H
 REV: B1
 SH: 1
 OF: 1