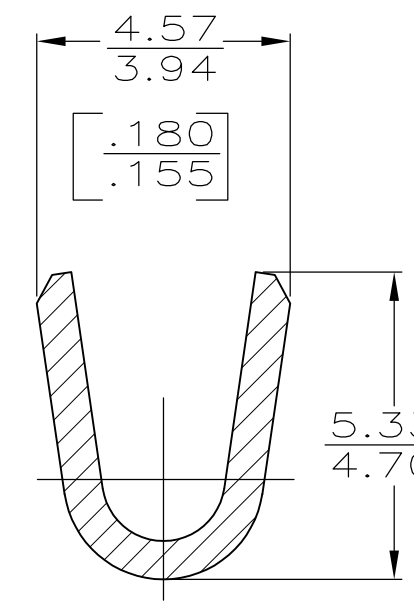
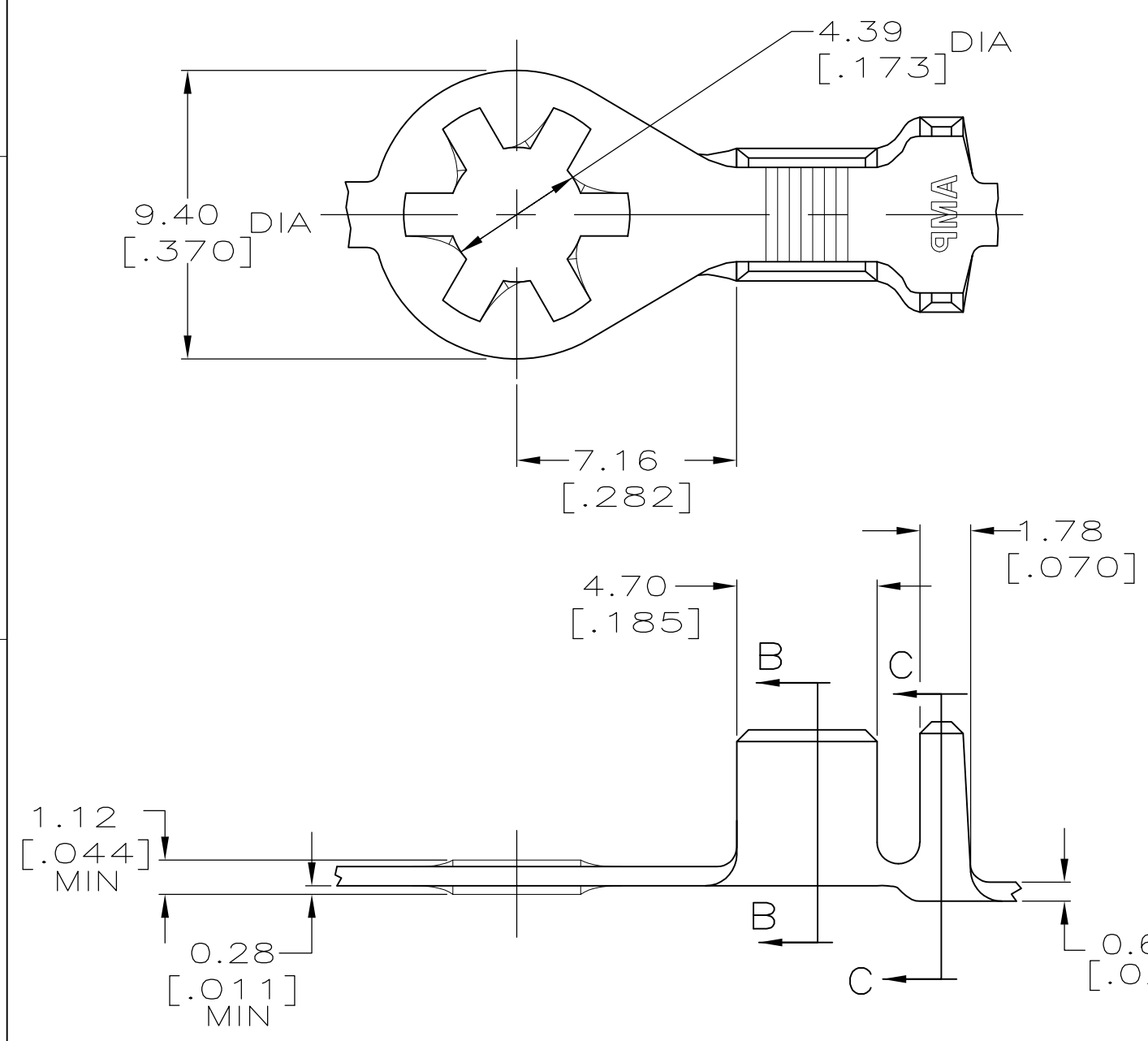


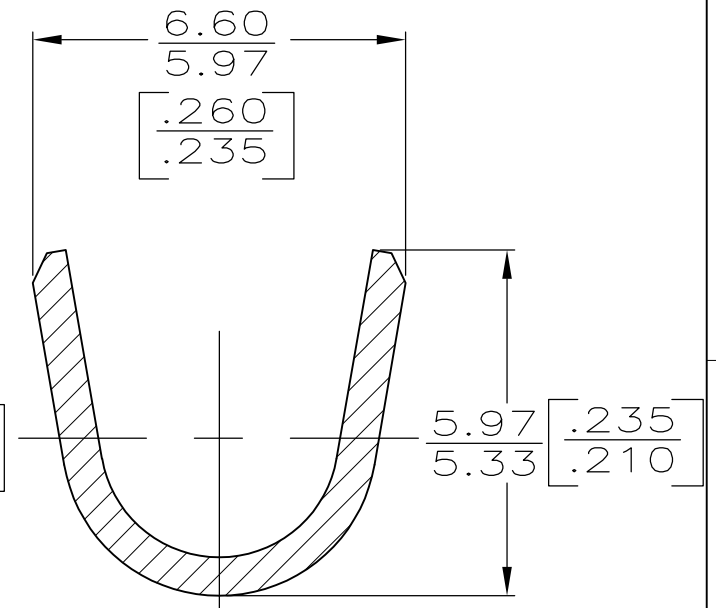
THIS DRAWING IS UNPUBLISHED. RELEASED FOR PUBLICATION
 © COPYRIGHT BY TYCO ELECTRONICS CORPORATION. ALL INTERNATIONAL RIGHTS RESERVED.

LOC	DIST	REVISIONS					
AF	50	P	LTR	DESCRIPTION	DATE	DWN	APVD
		D		REVISED PER ECR-10-006099	09JUL10	HMR	PD

1. CONTINUOUS STRIP ON REEL.



SECTION B-B
SCALE 8:1



SECTION C-C
SCALE 8:1

F OR O	5.59 [.220]	6.35 [.250]	F	3.56 [.140]	2.36 [.093] (2) 1.3MM [16]	
					2.49 [.098] 3.0MM [12]	
					2.24 [.088] 2.0MM [14]	
					2.06 [.081] 1.3MM [16]	
TYPE	WIDTH	STRIP LENGTH ±0.38 [±.015]	TYPE	WIDTH	HEIGHT ±0.051 [±.002]	WIRE
INSUL BARREL CRIMP			WIRE BARREL CRIMP			

3.30-4.32 DIA [.130-.170]	1.3-3.0mm ² [16-12] AWG	63698-1
INSULATION RANGE	WIRE RANGE	PATR NO

THIS DRAWING IS A CONTROLLED DOCUMENT.

DIMENSIONS: mm [INCHES]	TOLERANCES UNLESS OTHERWISE SPECIFIED:
	0 PLC ± -
	1 PLC ± -
	2 PLC ± 0.25 [.010]
	3 PLC ± -
	4 PLC ± -
	ANGLES ± -
MATERIAL H04 BRASS	FINISH TIN

DWN PHIL FORTNEY 7/14/93	Tyco Electronics Corporation Harrisburg, PA 17105-3608
CHK JR RUTH 7/14/93	
APVD G YETTER 7/14/93	
PRODUCT SPEC	
APPLICATION SPEC	RING
WEIGHT -	SIZE A3 CAGE CODE 00779 DRAWING NO C-63698 RESTRICTED TO -
CUSTOMER DRAWING	SCALE 5:1 SHEET 1 OF 1 REV D