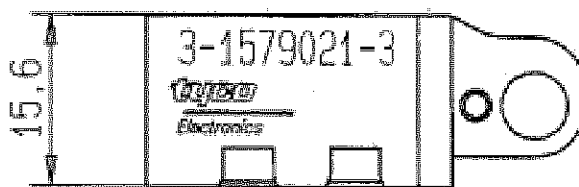
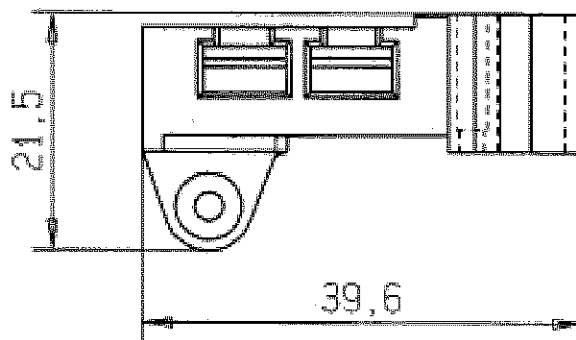


LOC	DIST	REVISIONS					
		P	LTR	DESCRIPTION	DATE	DWN	APVD
A1	-		A	EGC0-0085-05	22.03.05	witt	-
							-

Contact Locator for Die Set 3-1579021-3



2003

RELEASED FOR PUBLICATION

THIS DRAWING IS UNPUBLISHED.

© COPYRIGHT 2003 BY TYCO ELECTRONICS CORPORATION. ALL RIGHTS RESERVED.

DIMENSIONS:		DWN	Ch.Witt	22.03.05	MATERIAL	-	FINISH	-
mm		CHK	-	-	tyco Electronics AMP GmbH D - 64625 Bensheim			
TOLERANCES UNLESS OTHERWISE SPECIFIED:		APVD	-	-				
0 PLC	±	PRODUCT SPEC	-	-	NAME Contact Locator Kontaktpositionierer			
1 PLC	±	APPLICATION SPEC	-	-				
2 PLC	±	WEIGHT	-	-	SIZE	A 4	CAGE CODE	00779
3 PLC	±	CUSTOMER DRAWING		DRAWING NO	C= 6-1579015-5		RESTRICTED TO	-
4 PLC	±			SCALE		SHEET 1 OF 1		REV A
ANGLES	±°							