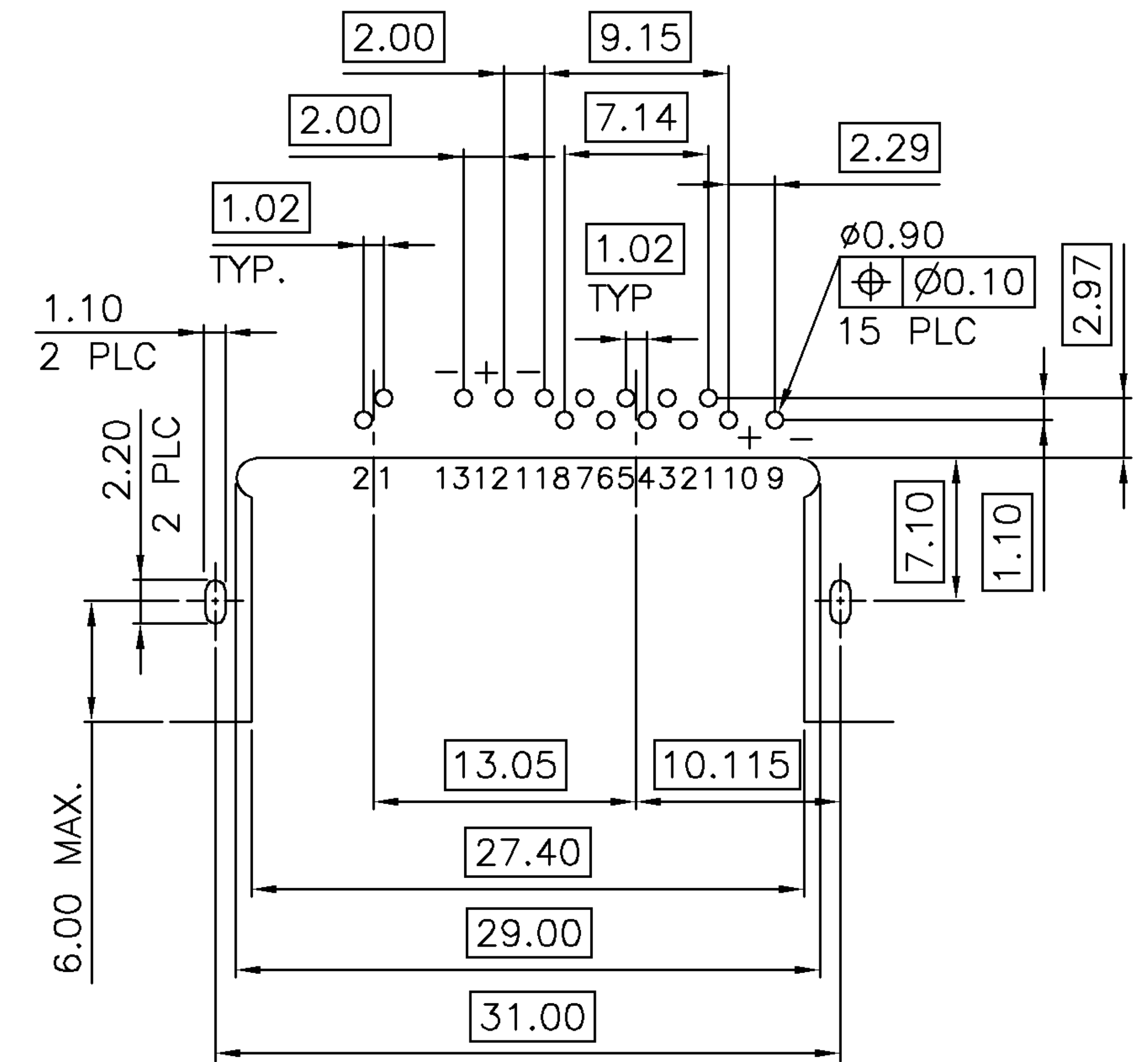
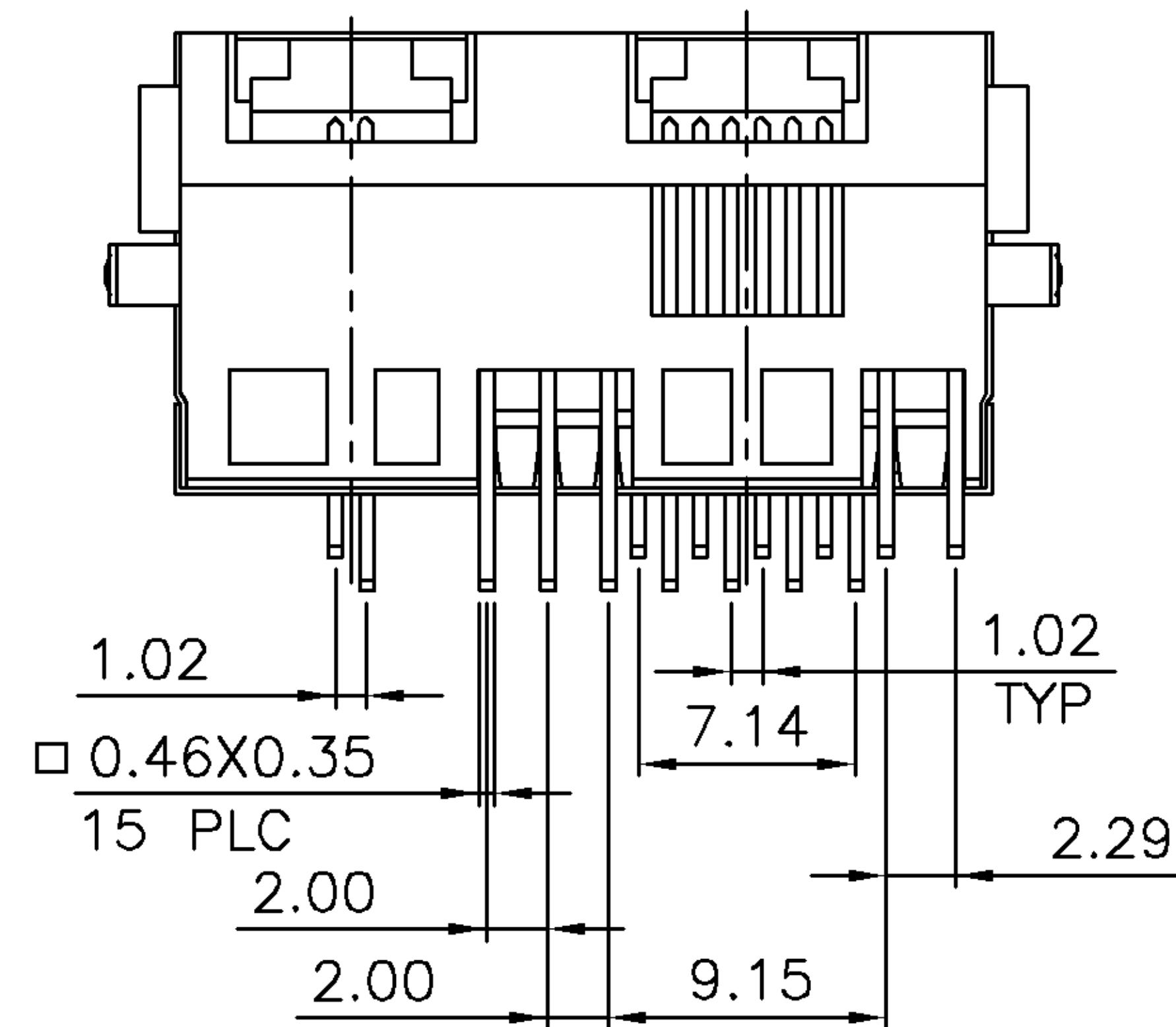
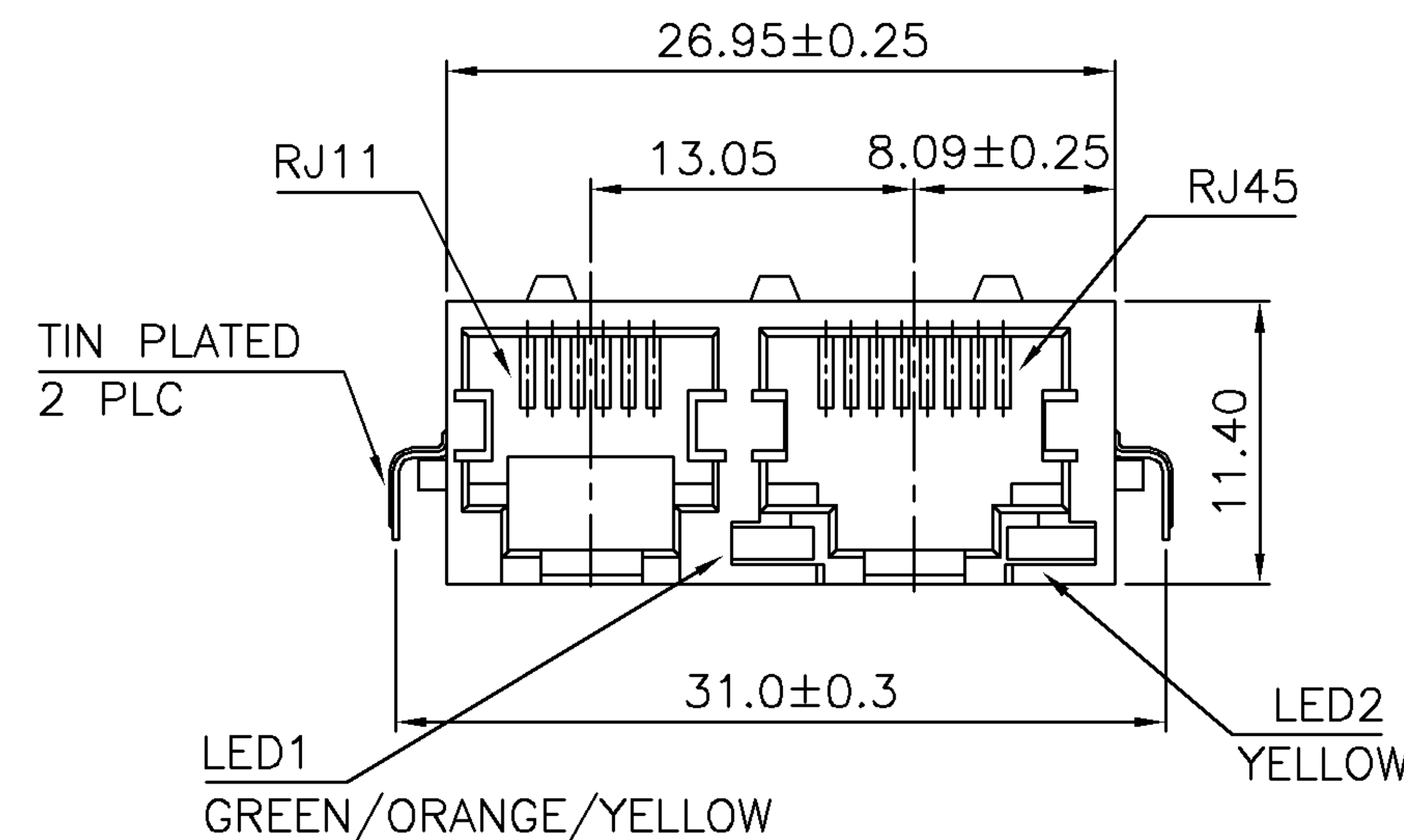
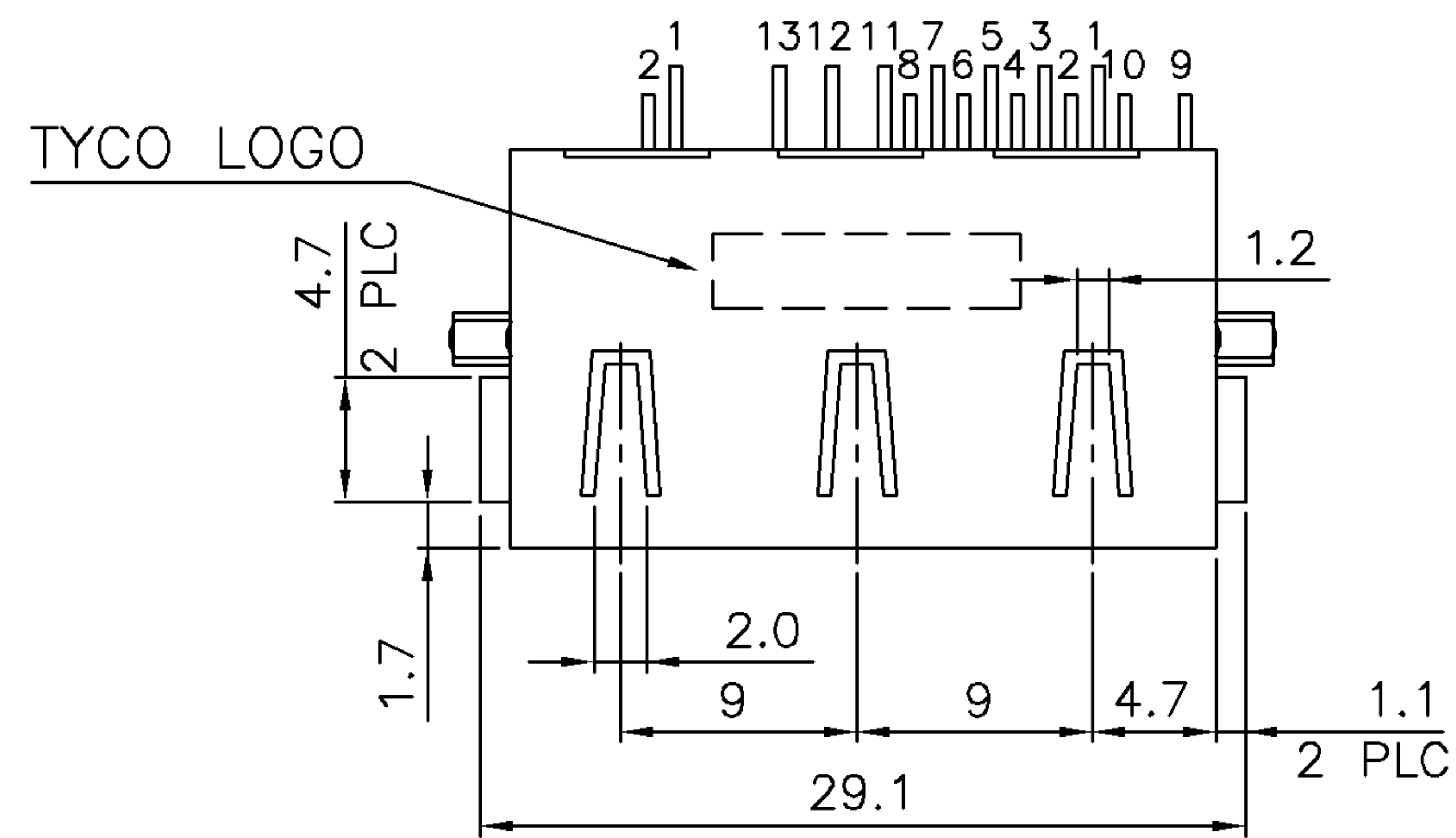
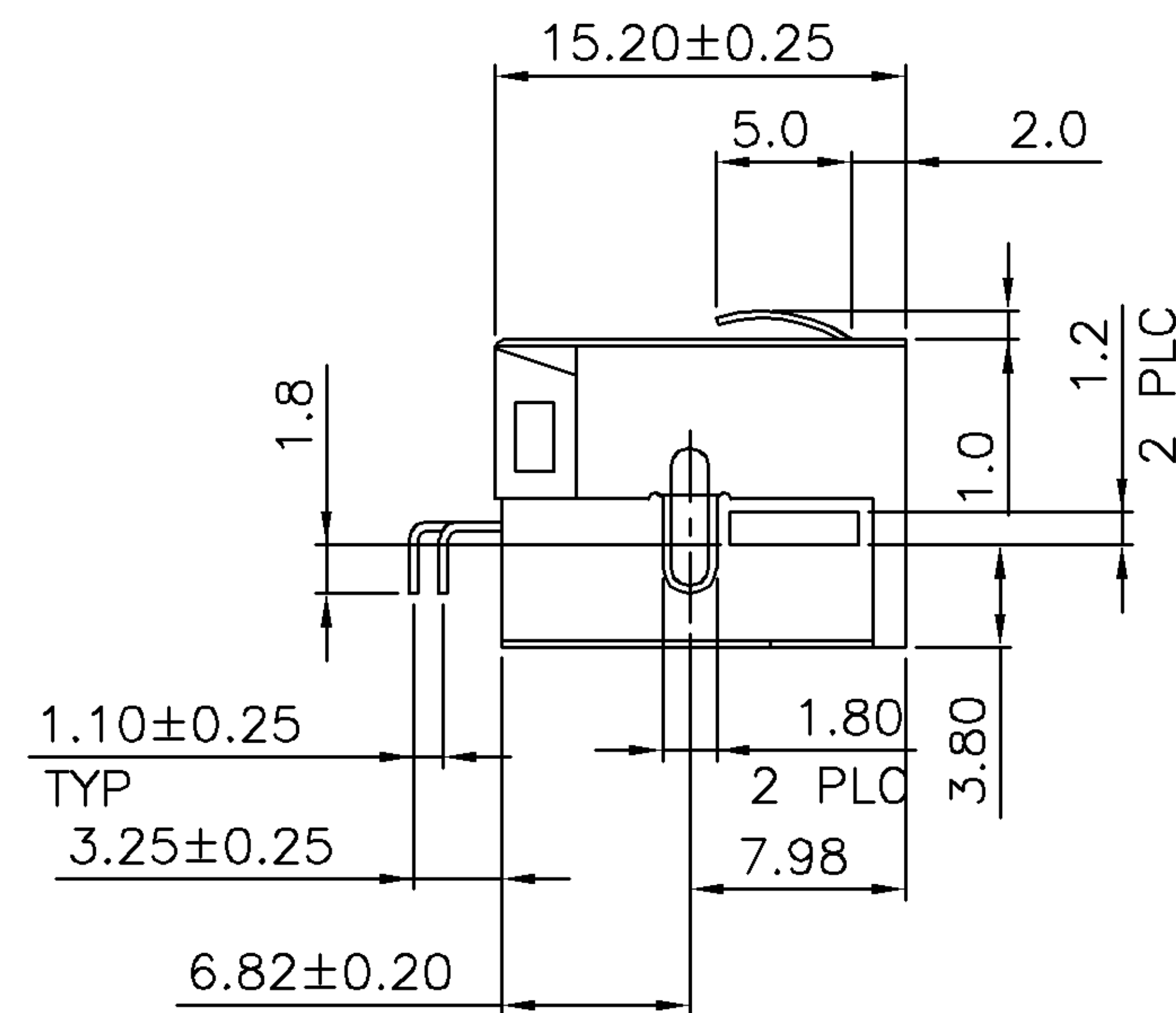
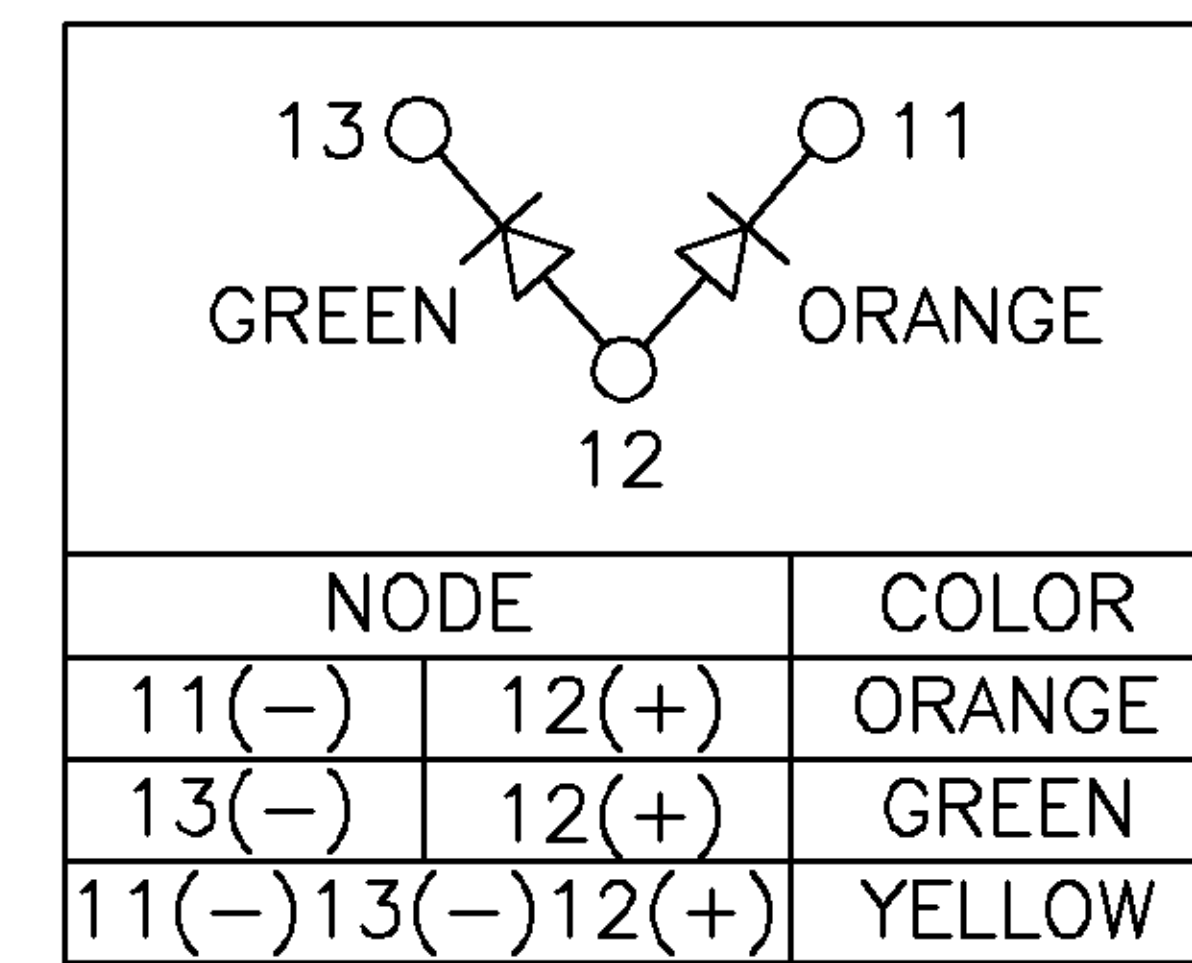


THIS INFORMATION IS CONFIDENTIAL AND IS DISCLOSED TO YOU ON CONDITION THAT NO FURTHER DISCLOSURE IS MADE BY YOU TO OTHER THAN AMP PERSONNEL WITHOUT WRITTEN AUTHORIZATION FROM AMP (TAIWAN) LTD. DIMENSIONS IN MILLIMETERS. DO NOT SCALE PRINT.



RECOMMENDED PCB LAYOUT (THICKNESS: 1.6mm)
DIMENSION TOLERANCE: 1 PLC: ±0.1 2PLC: ±0.05



ELECTRICAL CIRCUIT

- NOTE:
- MATERIAL:
HOUSING: THERMOPLASTIC HIGH TEMP., UL 94V-0, COLOR: BLACK.
CONTACT: PHOSPHOR BRONZE, THICKNESS: 0.35X0.46mm.
SHIELD: BRASS, THICKNESS=0.20mm.
LED LIGHT: EPOXY RESIN, THICKNESS: 0.50X0.50mm.
 - FINISH:
CONTACT: GOLD PLATED (SEE TABLE) IN CONTACT AREA, GOLD FLASH ON SOLDER TAILS, 50u" MIN NICKEL UNDERPLATED ALL OVER.
SHIELD: 20u" MIN. NICKEL PLATED.
LED LIGHT: 65u" MIN. Ag PLATED.
85u" MIN. TIN PLATED.
 - LED MUST BE REFLOW COMPATIBLE TO FOLLOWING TEMPERATURE PROFILE (FOR 1 CYCLE): ABOVE 160° FOR 120 SECONDS, PEAKING AT 260°C FOR 20~40 SECOND.
 - LED DEFECT RATE IS 9000 PPM MAX. AFTER IR REFLOW PROCESS AS NOTE 3.
 - WAVE SOLDER CAPABLE TO 265°C PER TYCO SPEC 109-202, CONDITION B.

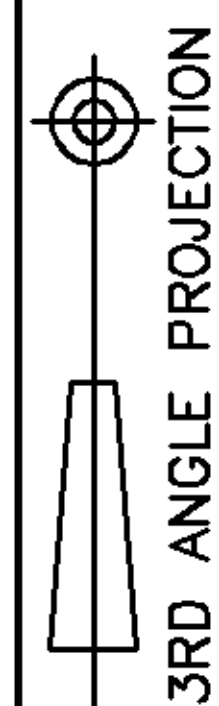
6 OBSOLETE PARTS: OBSOLETE CIS STREAMLINING PER D.RENAUD/D.SINISI

01	REV PER ECO-09-026495	KK	AE	28NOV 2009
0	FIRST RELEASED	OH	SH	12AUG 2005
LTR	REVISION RECORD	DWN	CHK	DATE

TOLERANCES UNLESS OTHERWISE SPECIFIED: 0 PLC ±0.50 1 PLC ±0.30 2 PLC ±0.20 3 PLC ±0.10 ANGLES ±3'		DWN	O. HU	TYCO HOLDINGS (BERMUDA) VII LTD. TAIWAN BRANCH	
MATERIAL SEE NOTE		CHK	S. HOU	NAME MODULAR JACK, COMBO, RJ45/RJ11, WITH 3 COLORS LED, REVERSE, DIP TYPE	
FINISH SEE NOTE		APVD	W.J. KE	LOC	SIZE
		PRODUCT SPEC	108-57535	DW	A ₃
		QUALIFICATION TEST REPORT	501-57625	DRAWING NO	C-1734759
		WEIGHT	5.0g	REV	01
		SCALE	--	SHEET	1 OF 2

6	OBSOLETE	50μ"	1734759-4
		30μ"	1734759-3
6	OBSOLETE	15μ"	1734759-2
		6μ"	1734759-1
		MIN. GOLD THICKNESS	PART NUMBER

NUMBER
C-1734759

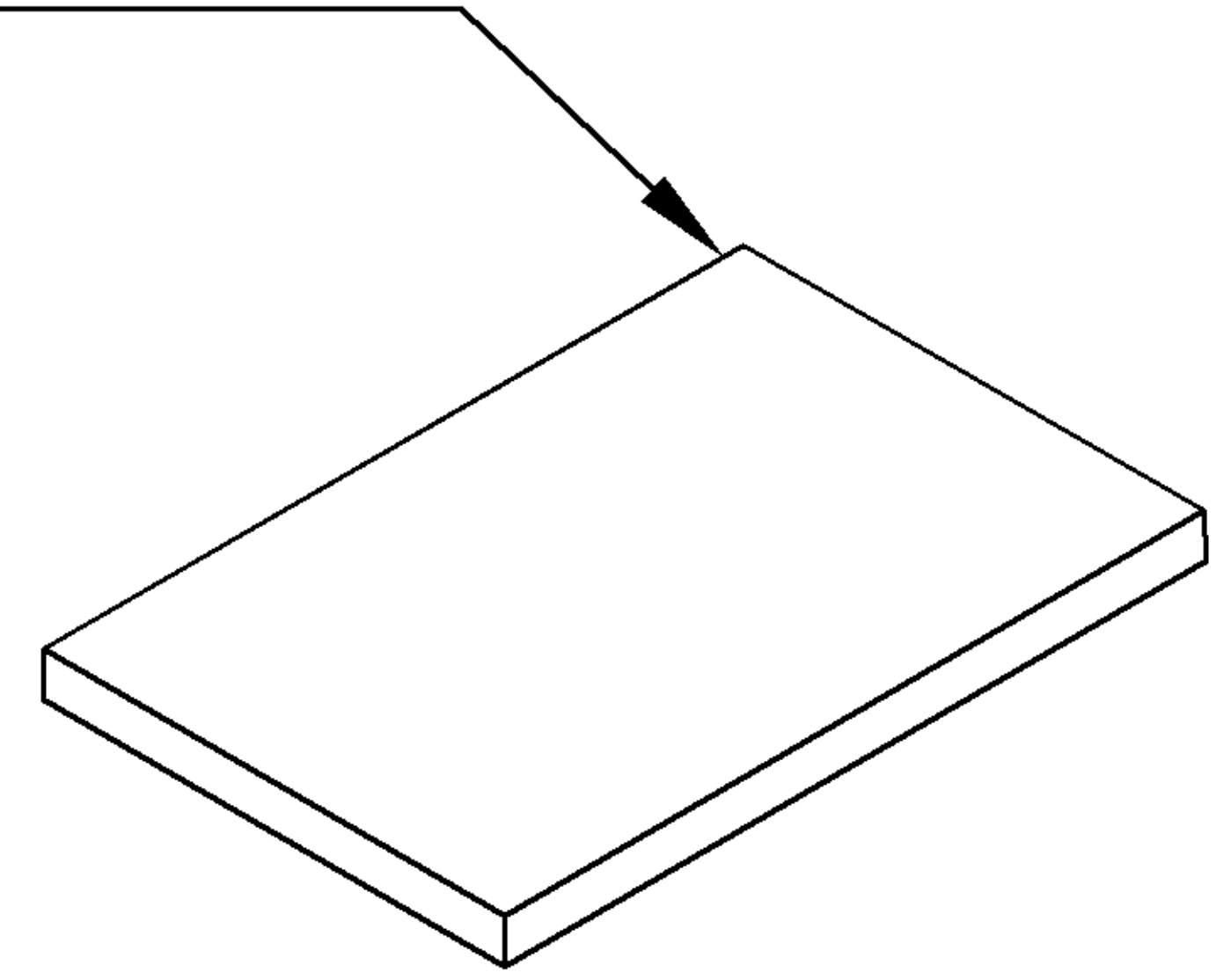


METRIC

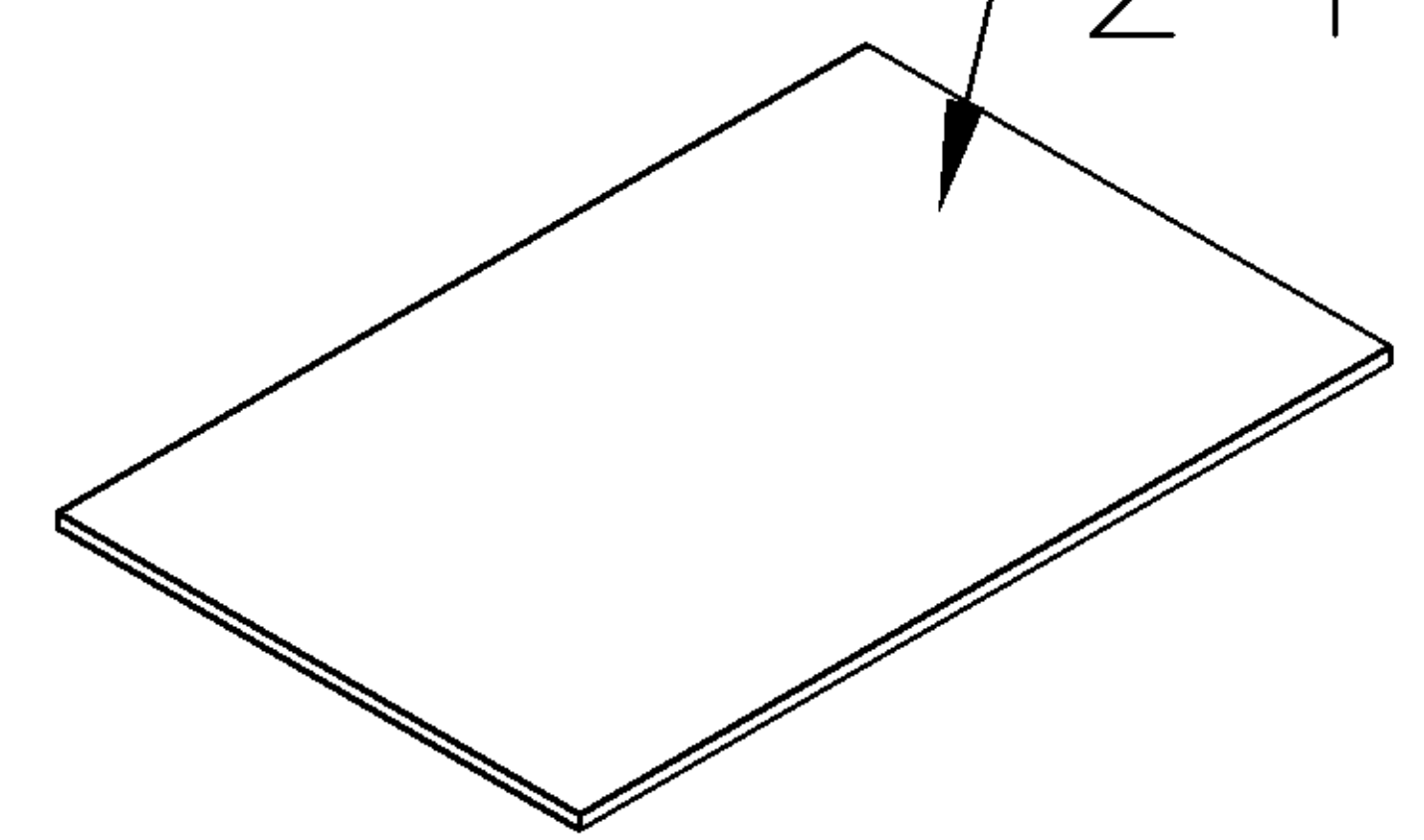
THIS INFORMATION IS CONFIDENTIAL AND IS DISCLOSED TO YOU ON CONDITION THAT NO FURTHER DISCLOSURE IS MADE BY YOU TO OTHER THAN AMP PERSONNEL WITHOUT WRITTEN AUTHORIZATION FROM AMP (TAIWAN) LTD. DIMENSIONS IN MILLIMETERS. DO NOT SCALE PRINT.

PRINT DIST
DW

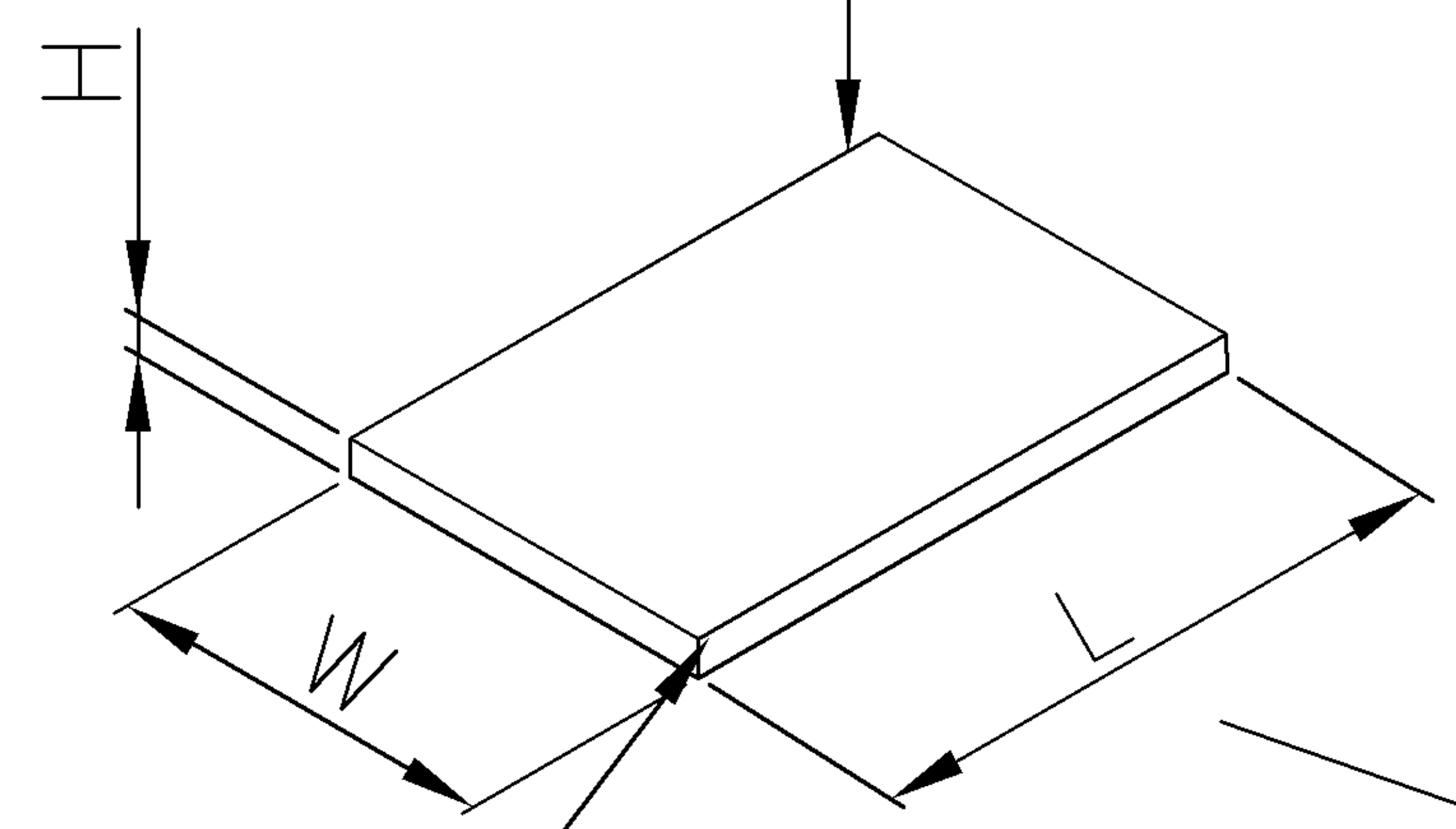
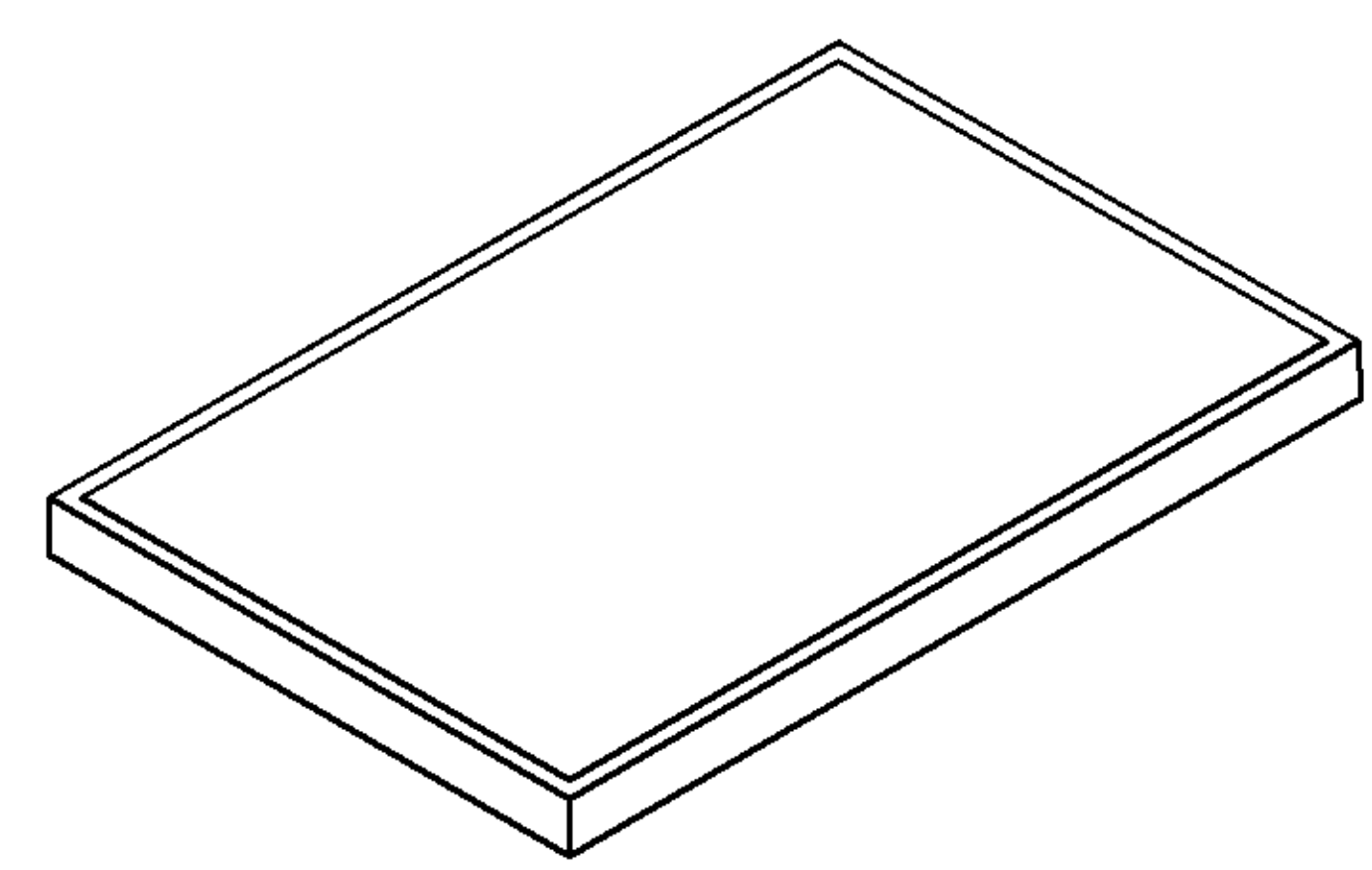
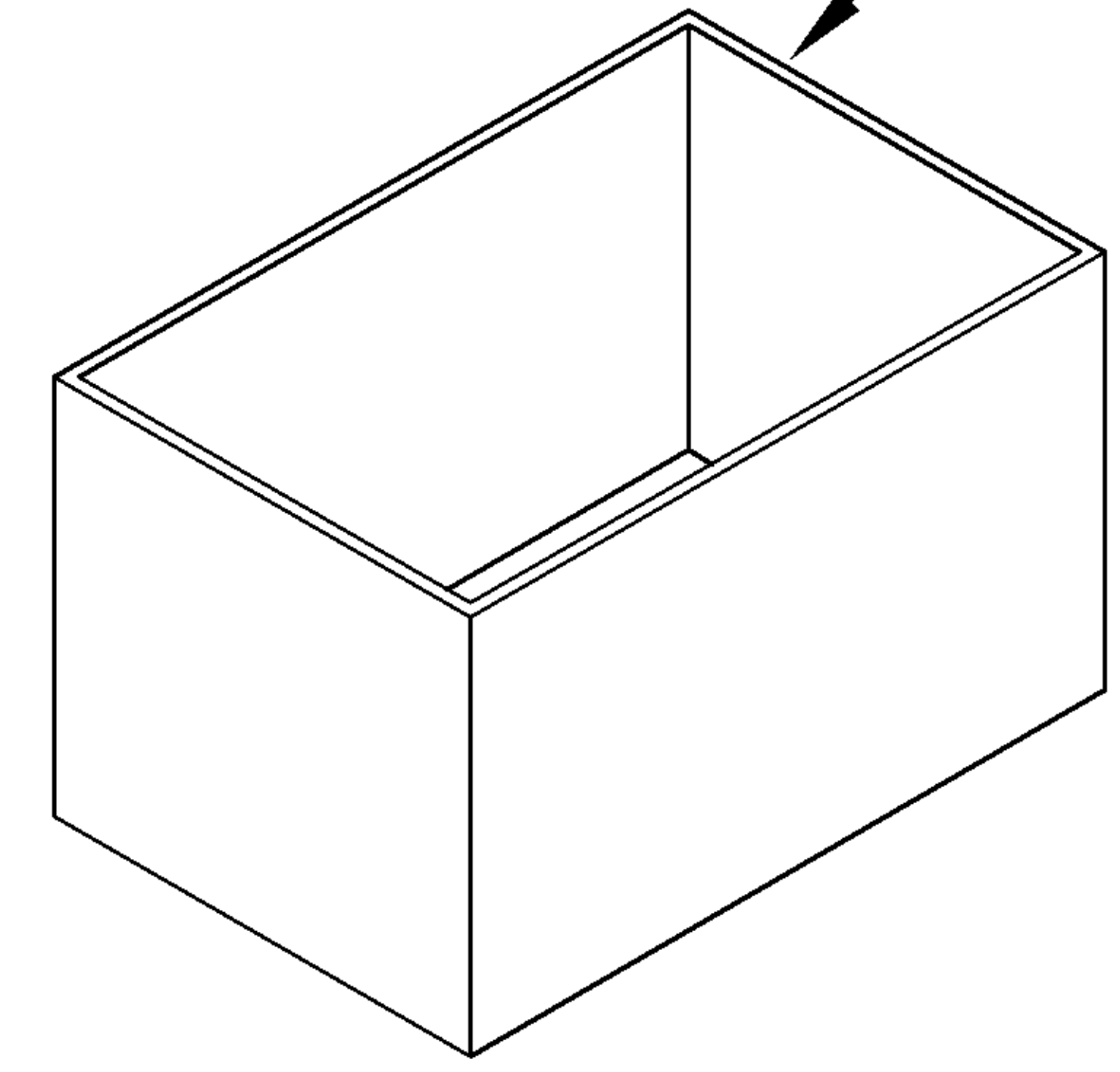
TOP COVER



CLAPBOARD
2 PLC

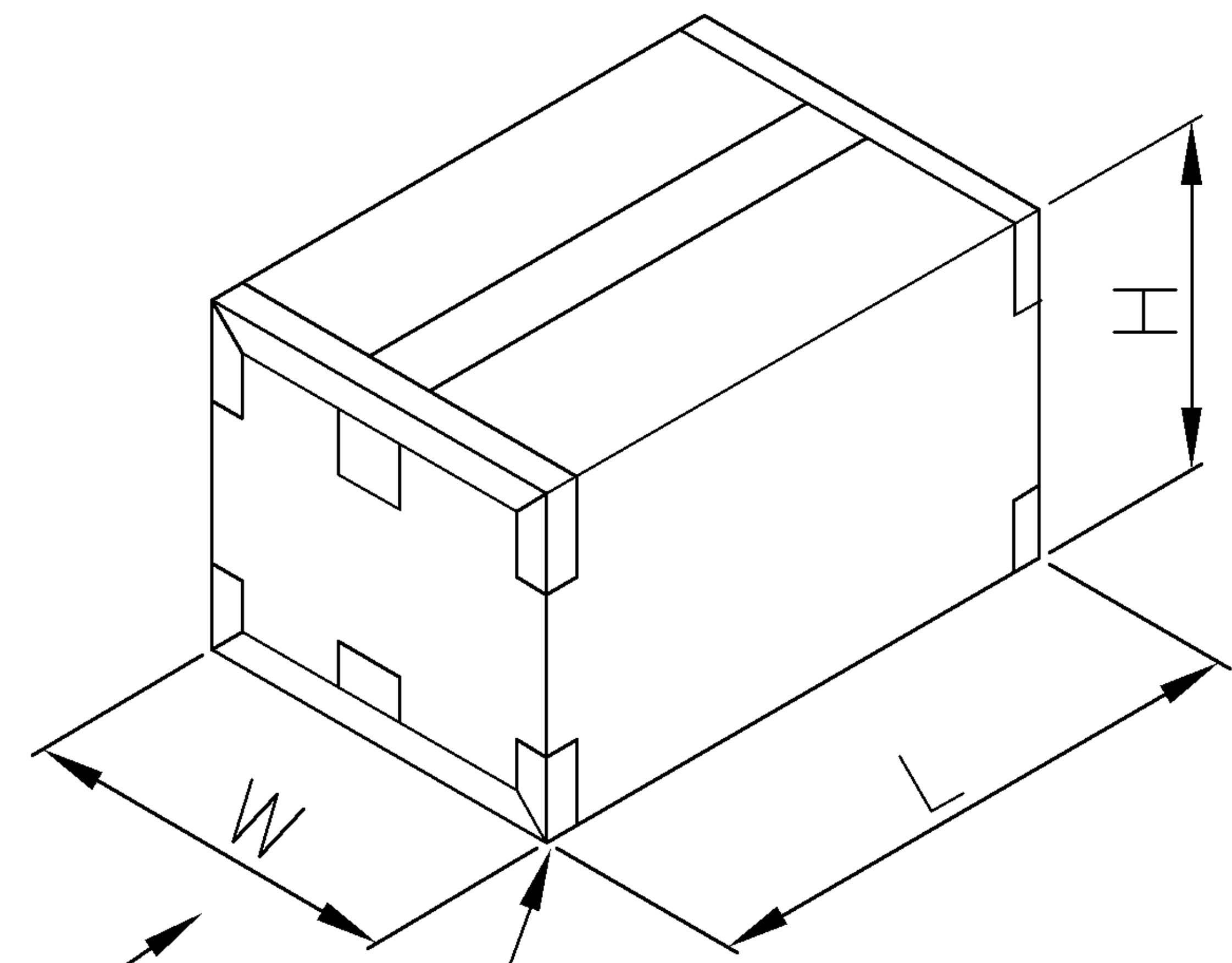


INNER BOX



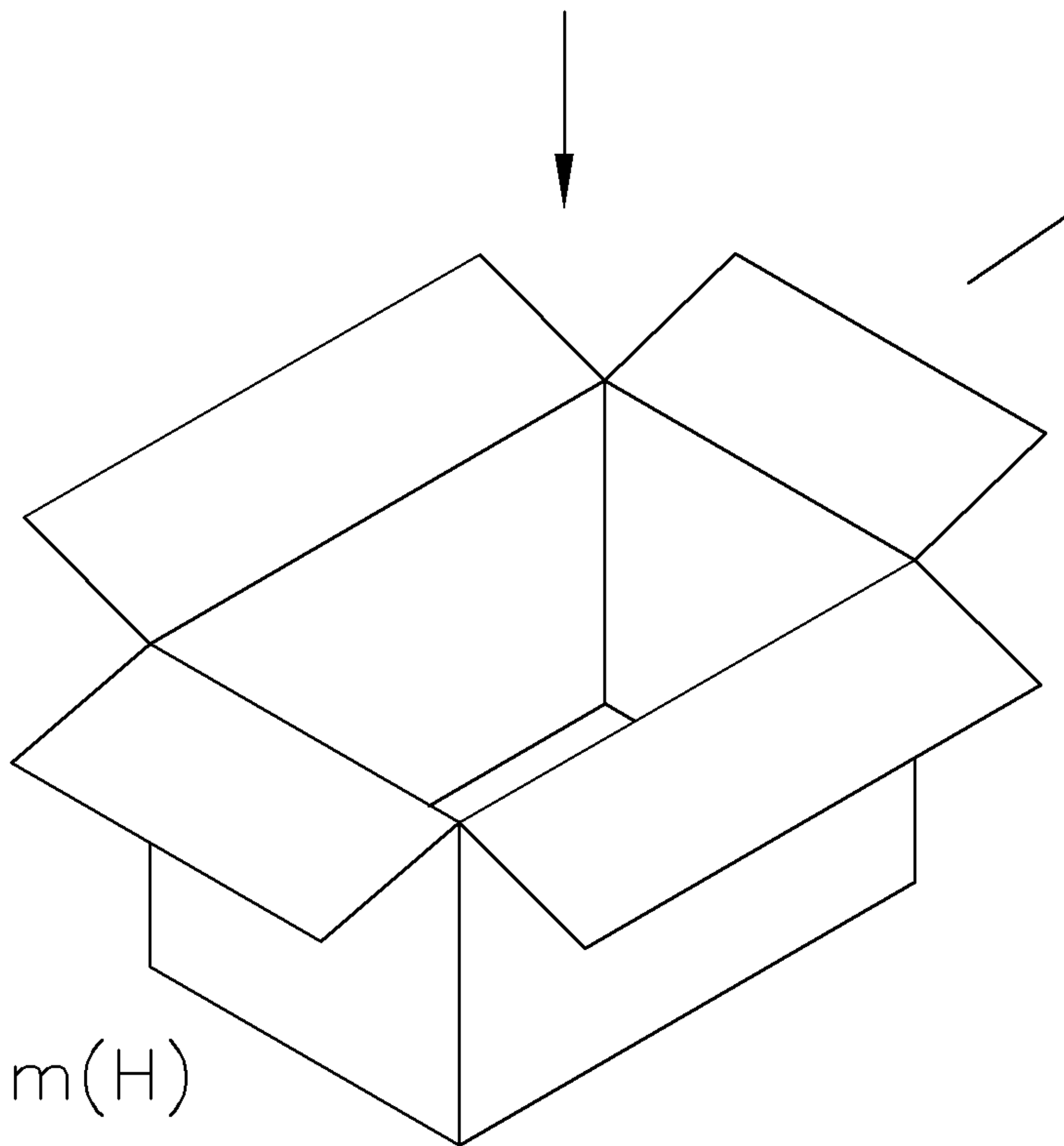
TRAY

330mm(L)X225mm(W)X15mm(H)
80 PCS/TRAY



CARTON

370mm(L)X255mm(W)X220mm(H)
11 TRAY/CARTON
TOTAL: 880 PCS
GROSS WEIGHT: 7Kg



TOLERANCES UNLESS OTHERWISE SPECIFIED:		DWN	O. HU	tyco TYCO HOLDINGS (BERMUDA)		
0 PLC	±		12-AUG-2005	VII LTD. TAIWAN BRANCH		
1 PLC	±	CHK	S. HOU	NAME		
2 PLC	±		12-AUG-2005			
3 PLC	±			MODULAR JACK, COMBO, RJ45/RJ11, WITH 3 COLORS LED, REVERSE, DIP TYPE		
ANGLES	±					
MATERIAL	SEE NOTE	APVD	W.J. KE	LOC		
			12-AUG-2005			SIZE
FINISH	SEE NOTE	QUALIFICATION TEST REPORT		DW	C-1734759	REV
		WEIGHT		SCALE		01
						SHEET
						2 OF 2

LTR	SEE SHEET 1.	ECN	DWN	CHK	DATE
	REVISION RECORD				