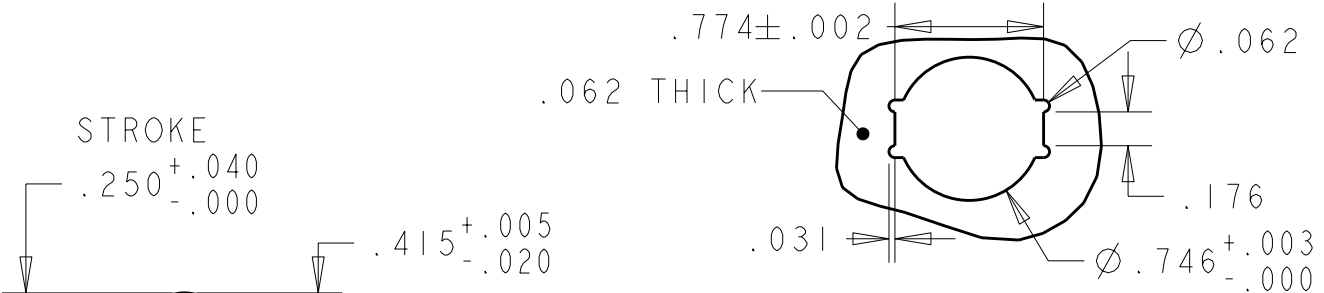
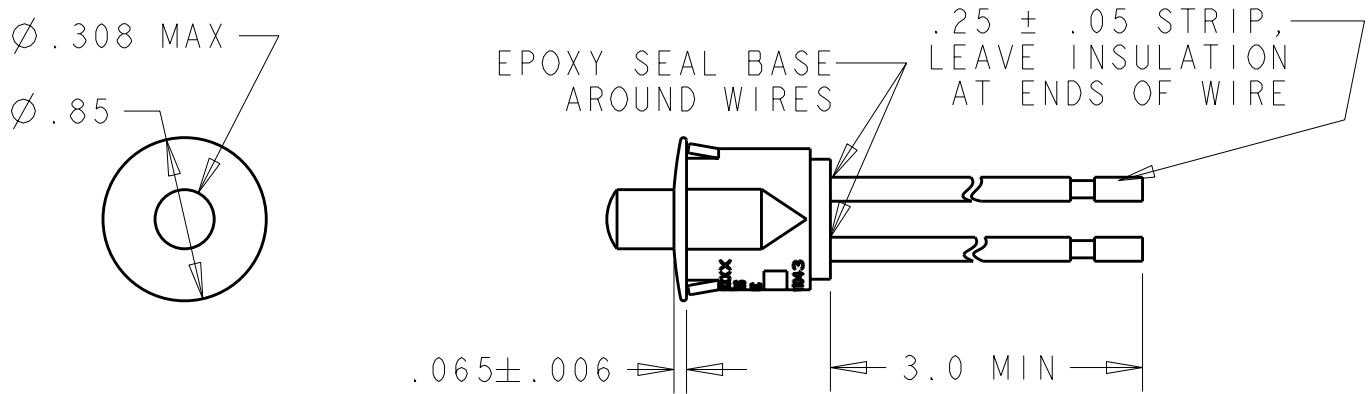
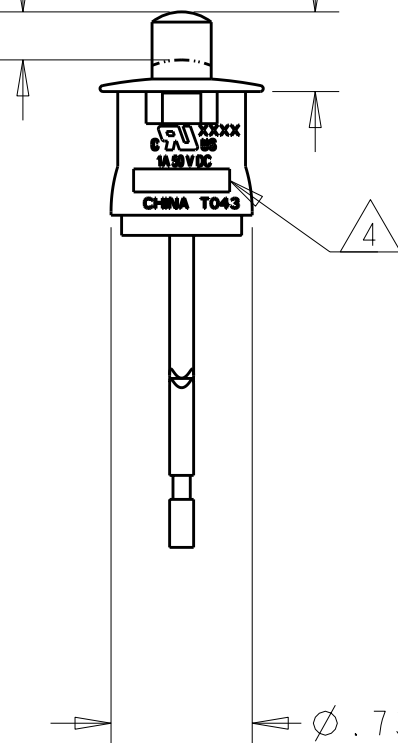


LOC	DIST	REVISIONS					
		P	LTR	DESCRIPTION	DATE	DWN	APVD
-	-		A4	REVISED PER ECO-10-006305	25MAR2010	HMR	NE



RECOMMENDED PANEL CUTOUT  
SCALE 1:1

- NOTES:
- WIRE: 18 AWG, TINNED, PVC INSULATED  
W/ 105°C AND 600 V RATING (UL 1015).  
CONTACT MATERIAL: COPPER SILVER PLATED.  
CIRCUIT: 1 PST NORMALLY CLOSED.  
OPERATING (BREAK CURRENT) FORCE: 1.5 LB MAX.  
END OF STROKE FORCE = 2.5 LB MAX.
  - ELECTRICAL SPECIFICATIONS:  
CURRENT: 1 A, 50 V DC.  
DIELECTRIC: 1000 V RMS MIN.  
INSULATION RESISTANCE: 100 MΩ MIN.  
CONTACT RESISTANCE: 100 mΩ MAX.  
CYCLE LIFE: 6000 OPERATIONS MIN.  
TEMPERATURE RISE: <30°C AT 6000 OPERATIONS.
  - ENVIRONMENTAL SPECIFICATIONS:  
OPERATING AND STORAGE TEMPERATURE: -18 TO 65°C.
- 4 TYCO ELECTRONICS LOGO PER TEC 202-36 LOCATED APPROXIMATELY AS SHOWN.



THIS DRAWING IS UNPUBLISHED. BY TYCO ELECTRONICS CORPORATION. ALL RIGHTS RESERVED. COPYRIGHT 20

DIMENSIONS: INCHES	DWN J.C. YOSLER	10NOV2003	MATERIAL	-	FINISH	-
	CHK J.C. YOSLER	10NOV2003	Tyco Electronics Harrisburg, PA 17105-3608			
TOLERANCES UNLESS OTHERWISE SPECIFIED:	APVD M. WILBOURN	07NOV2006				
0 PLC ±	PRODUCT SPEC	-	NAME PUSH BUTTON SWITCH, NORMALLY CLOSED			
1 PLC ±.1	APPLICATION SPEC	-	SIZE	CAGE CODE	DRAWING NO	RESTRICTED TO
2 PLC ±.01	WEIGHT	-	A4	00779	C-1571485	-
3 PLC ±.005	CUSTOMER DRAWING		SCALE	1:1	SHEET	OF
4 PLC ±						REV
ANGLES ±30'						A4