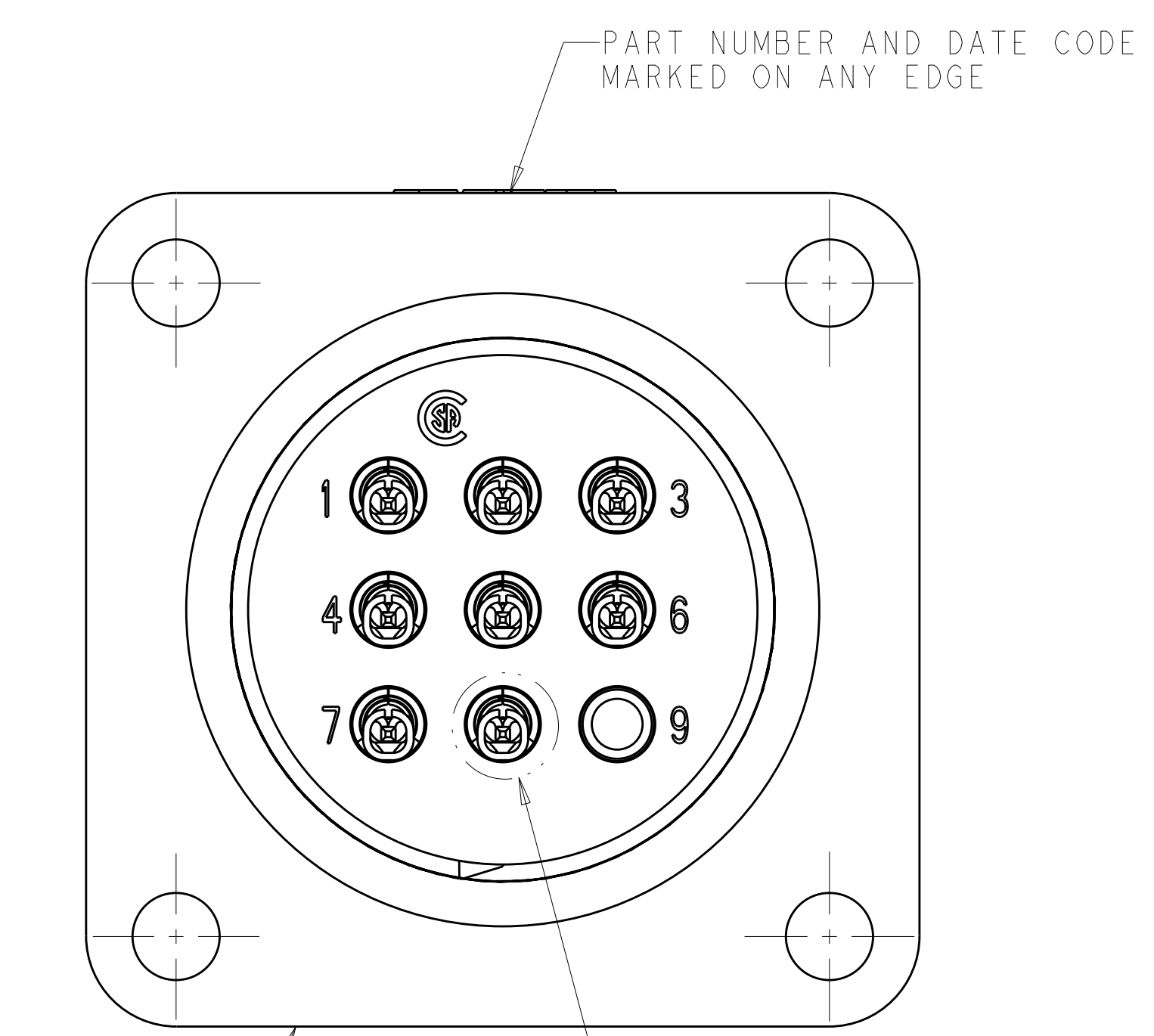
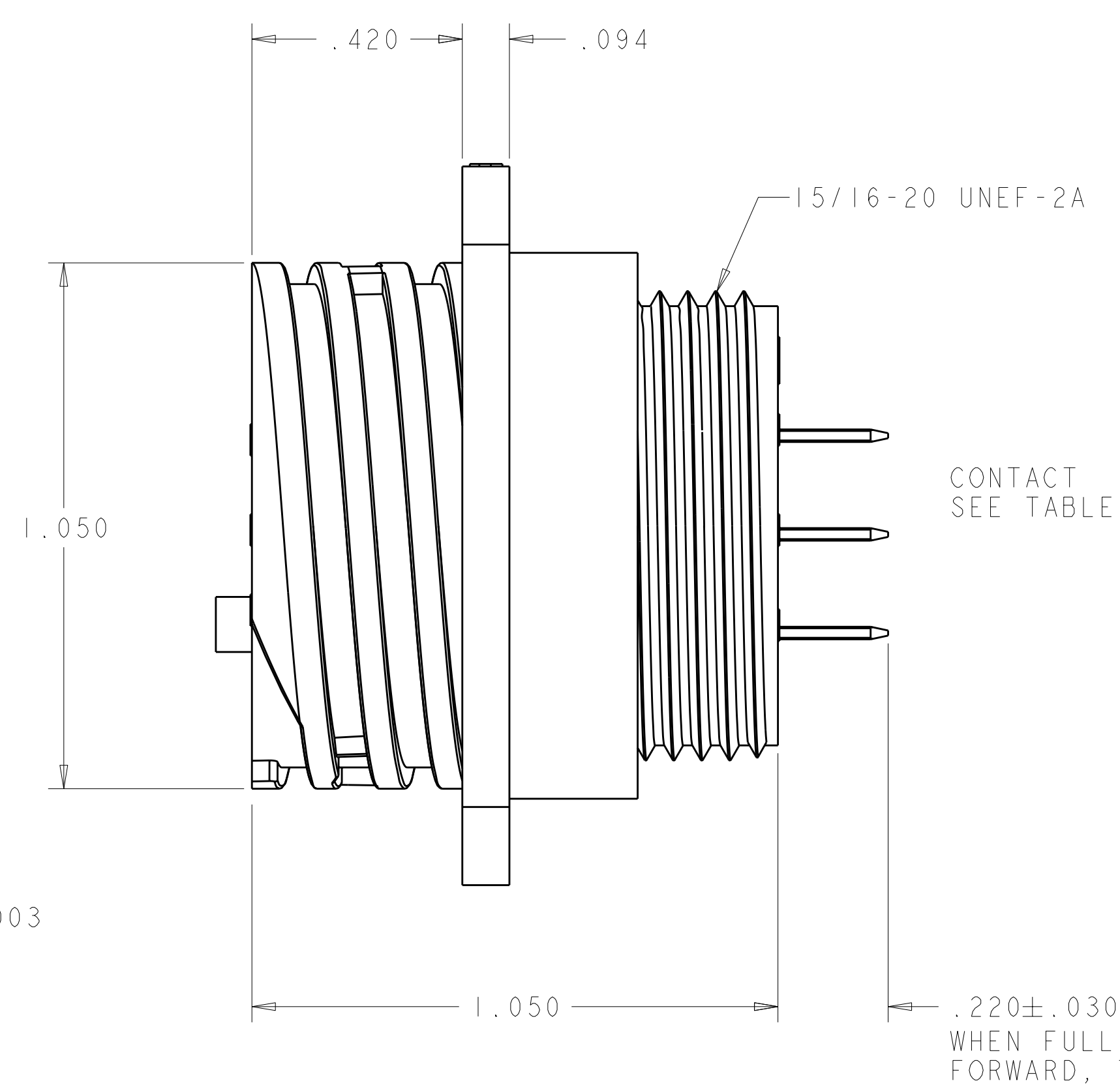
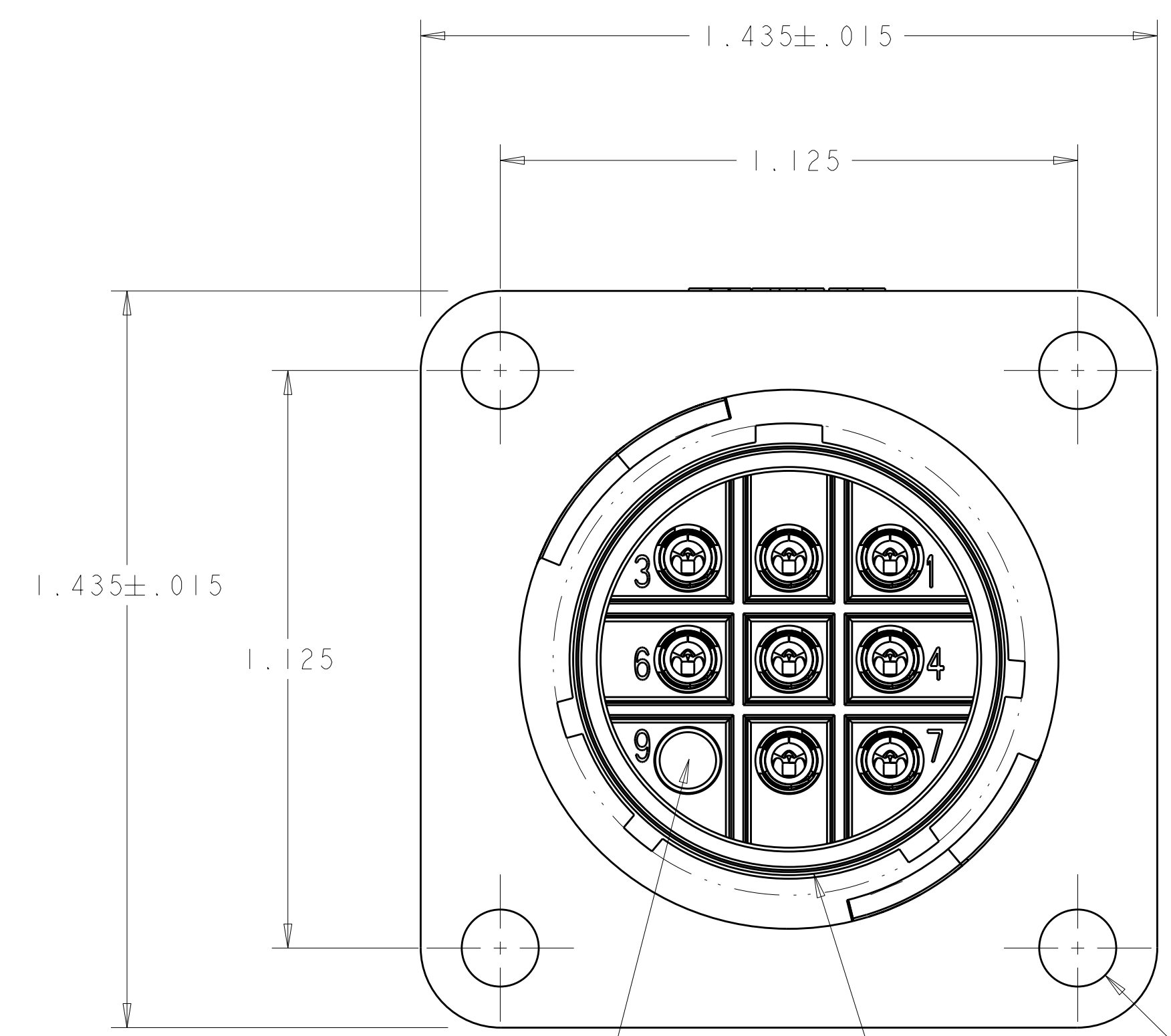
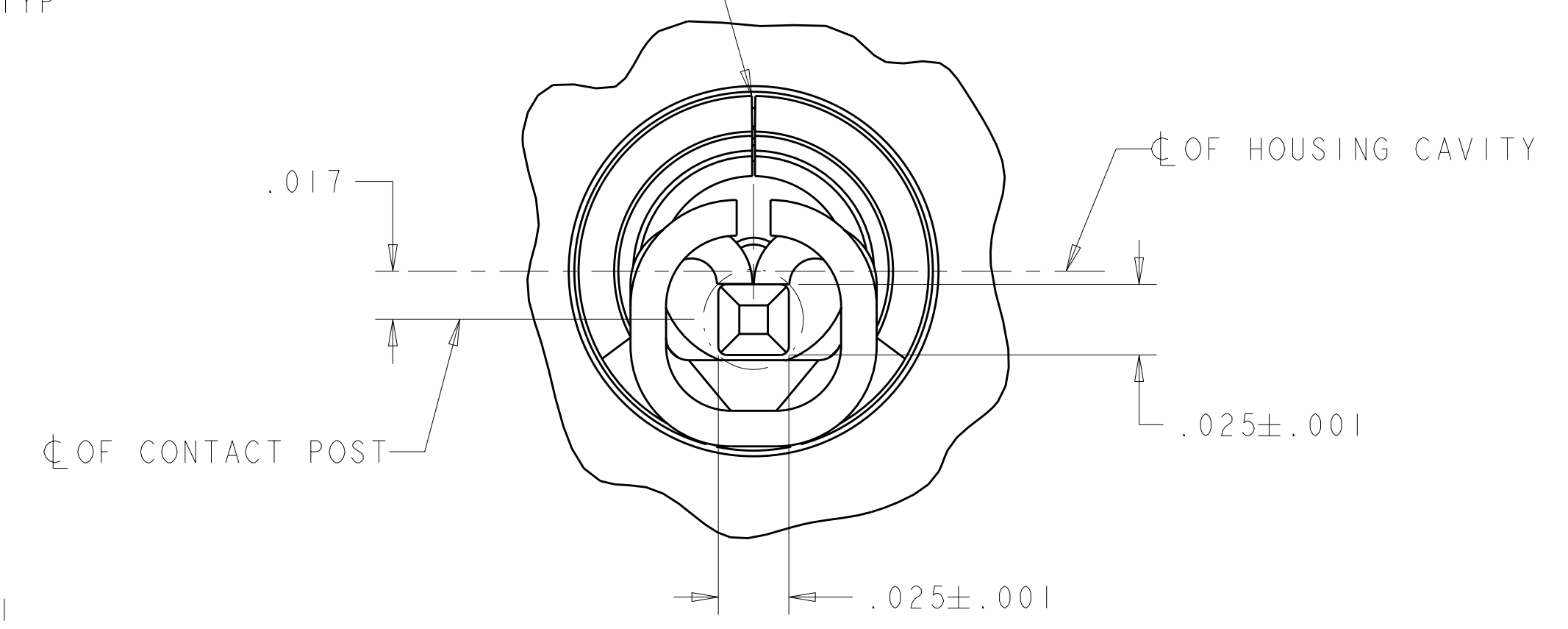


LOC	DIST	REV	DATE	BY	CHK	APPV
FT	0					
P		ADDED 1-2, 1-3	ECO-06-002610	15FEB2006	SW	SH
P		REVISED PER ECO-09-025699		12DEC2009	WK	AEG

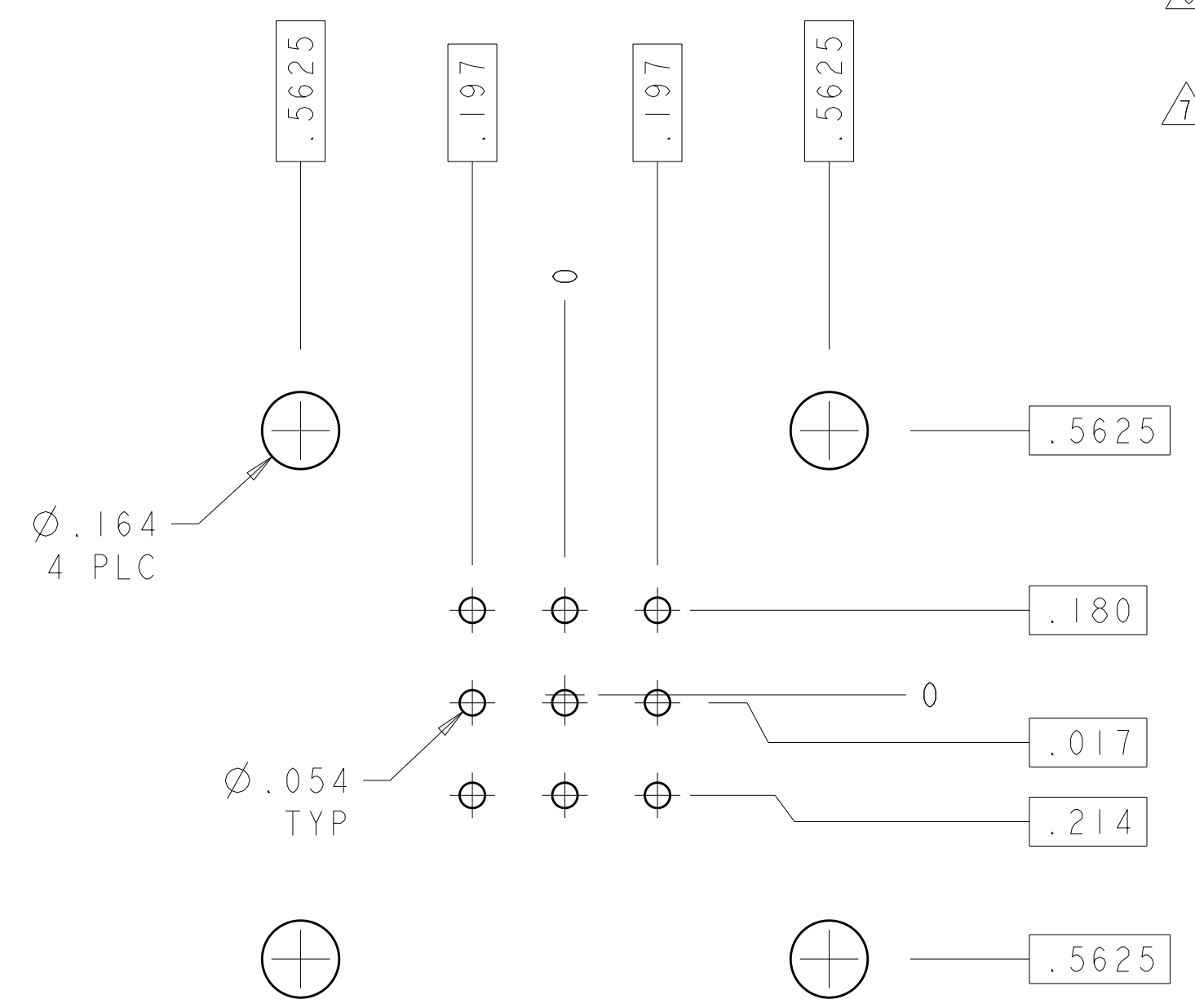


KEYING PLUG SEE TABLE
 PERIPHERAL SEAL
 Ø .150±.003
 4 PLC

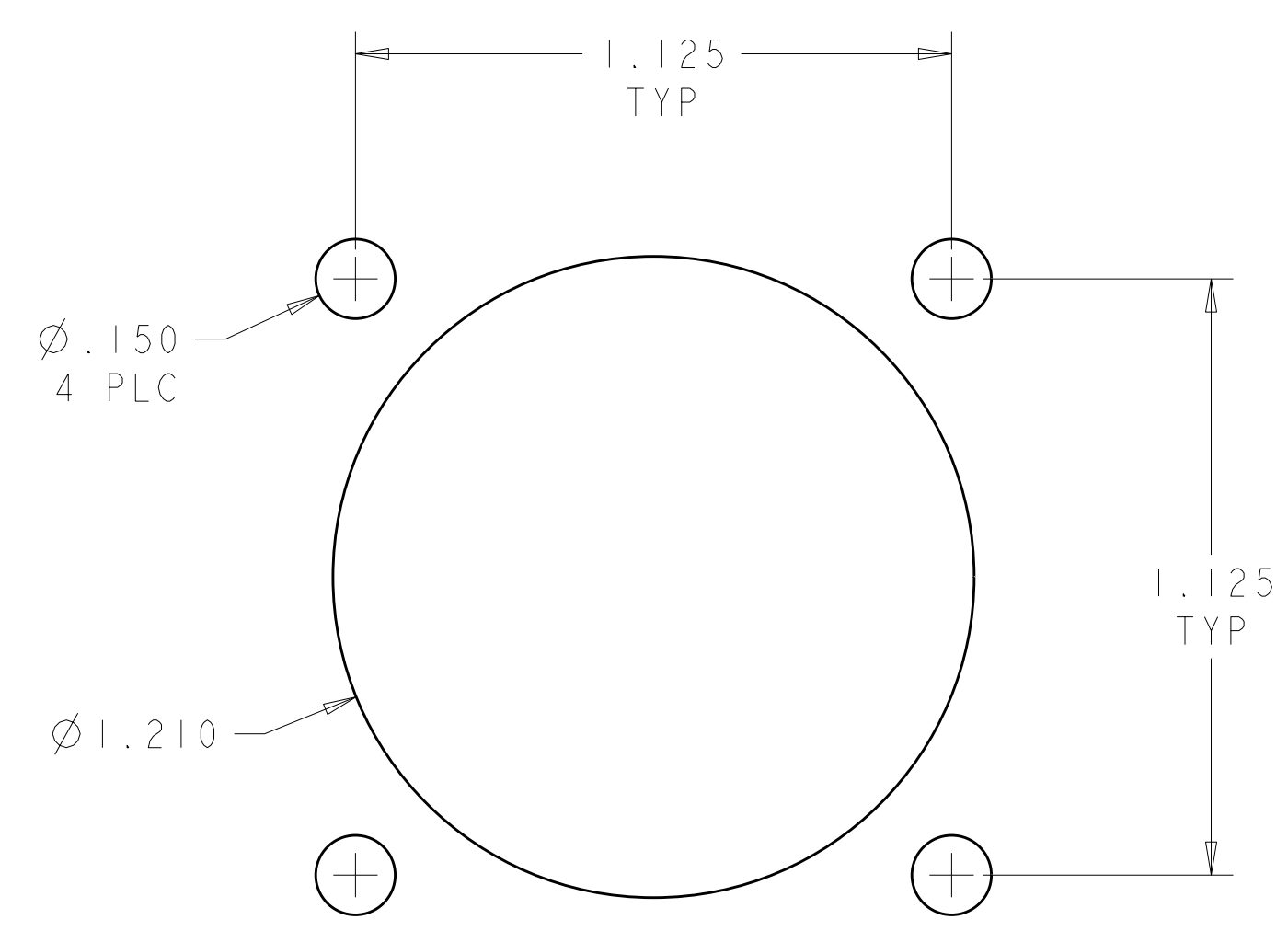
- △ HOUSING: NYLON, UL 94 V-0 RATED, BLACK.
- △ CONTACT:
 BODY - BRASS, .000100 MIN TIN-LEAD OVER .000050 MIN NICKEL.
 POST - BRASS, .000100 MIN TIN-LEAD OVER .000050 MIN NICKEL.
- △ CONTACT:
 BODY - BRASS, .000100 MIN TIN OVER .000050 MIN NICKEL.
 POST - BRASS, .000100 MIN TIN OVER .000050 MIN NICKEL.
- △ PERIPHERAL SEAL: ELASTOMER, GRAY.
- △ KEYING PLUG: NYLON, NATURAL.
- △ .009 MAXIMUM CONTACT LEAD-IN SEAM GAP PERMISSIBLE ON MATING FACE END.
- △ OBSOLETE PARTS: OBSOLETE CIS STREAMLINING PER D.RENAUD/D.SINISI



DETAIL V
 SCALE 20:1



RECOMMENDED PC BOARD LAYOUT
 SCALE 3:1



RECOMMENDED PANEL LAYOUT
 .125 MAX PANEL THICKNESS
 SCALE 3:1

KEYING PLUG	PERIPHERAL SEAL	FINISH	QTY	SELECT LOAD IN POSITIONS	PART NUMBER	
△	△	POSN 9	YES	△ 8	1-8	1-213826-3
△	△	-	YES	△ 8	1-5, 7-9	1-213826-2
△	△	-	YES	△ 9	ALL	1-213826-1
△	△	POSN 9	YES	△ 8	1-8	1-213826-0
△	△	-	YES	△ 8	1-5, 7-9	213826-9
△	△	POSN 9	YES	△ 8	1-8	213826-8
△	△	-	YES	△ 8	1-5, 7-9	213826-7
△	△	POSN 9	YES	△ 8	1-8	213826-3
△	△	-	YES	△ 8	1-5, 7-9	213826-2
△	△	-	YES	△ 9	ALL	213826-1

THIS DRAWING IS UNPUBLISHED. RELEASED FOR PUBLICATION BY TYCO ELECTRONICS CORPORATION. ALL RIGHTS RESERVED.

TYCO ELECTRONICS CORPORATION
 114-10004

DATE: 23MAY2003
 CHK: S.WELDON
 S.HEADER
 APPV: S.HEADER
 PRODUCT SPEC: 108-10024
 APPLICATION SPEC: 114-10004

TYCO ELECTRONICS
 Harrisburg, PA 17105-3608

NAME: RECEPTACLE ASSEMBLY, POSTED, REVERSE SEX, SERIES 1, 17-9, CPC

SIZE: 114-10004
 WEIGHT: A11
 CUSTOMER DRAWING

SCALE: 4:1
 SHEET: 1 OF 1
 REV: P1