

DESCRIPTION

Connector especially designed for SMT technology
EMV compatible and in accordance with ISO 7816-2

MECHANICAL

Contacts force : between 0.2N-0.5N
Durability : 7500 cycles
Insertion force : 10N max
Extraction force : 3N min

ELECTRICAL

Insulation resistance : 1000MOhms
Dielectric withstand voltage between card contacts and detection switch : 1000 Vrms
contact resistance:100 milliohms
Current carrying : min 10 micro A max 1A

SWITCH

Switch : Normally Open
Contact closed : contact resistance 100mOhms
Open contact : voltage proof 300Vms
The switch contacts are self cleaning.

MATERIAL

Contacts : copper alloy
Plating : Gold over Nickel or Equivalent on contact area
Solder tails : Sn bare edge allowed
Housing : self extinguishing, Thermoplastic
UL94-V0 rated

ENVIRONMENT

Storage temperature : -40°C, +85°C
Operating temperature : -20°C, +70°C
Packaging : Tray
Compatible reflow soldering process

NOTE: RoHS INFORMATIONS

- The "LF" products meet European Union Directives and other country regulations as described in GS-22-008.
- The housing will withstand exposure to 260°C peak temperature for 30 seconds in a convection, infra-red or vapor reflow oven. See Application notes/procedures, if they are available.
- Packaging spec: see gs-14-920

FCI : LEAD FREE CATALOGUE NUMBER

10071782-001LF

SECTION A-A
SCALE 10:1

Pick and place area

SCALE 2:1

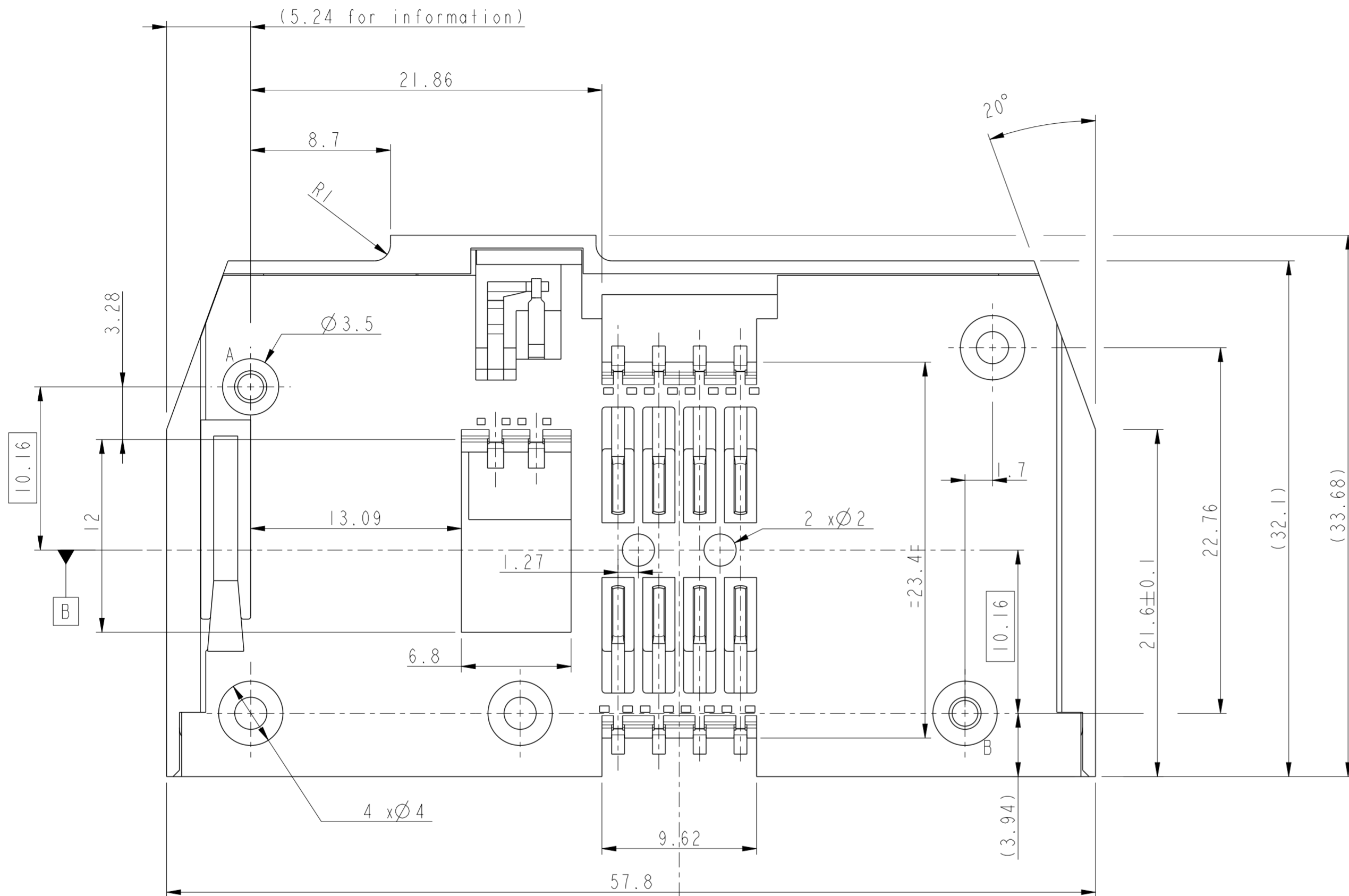
www.fciconnect.com		surface -- ✓	tolerance std ISO 1302 ISO 406 ISO 1101	projection	mm
TOLERANCES UNLESS OTHERWISE SPECIFIED					
Dr	P.K RAMESH	2009/05/07	ANGULAR	0.x ±0.3	size A2
Eng	P.K RAMESH	2009/05/07	LINEAR	0.xx ±0.1	Scale 3:1
Chr	V. SUDHIR	2009/05/07	0° ±2°	0.xxx ±0.05	ECN 110-0219
Appr	V. SUDHIR	2009/05/07	Product family	MOBILE I/O	Spec ref --
FCI CHIP CARD CONNECTOR				kg no	10071782
TYPE : P02 (8cts with cover)				Rev.	B
catalog no 10071782-001LF				CUSTOMER	sheet 1 of 2

rev	ecn no	dr	date
A	109-0072	RPK	2009/05/07
B	110-0219	RPK	2010/09/23



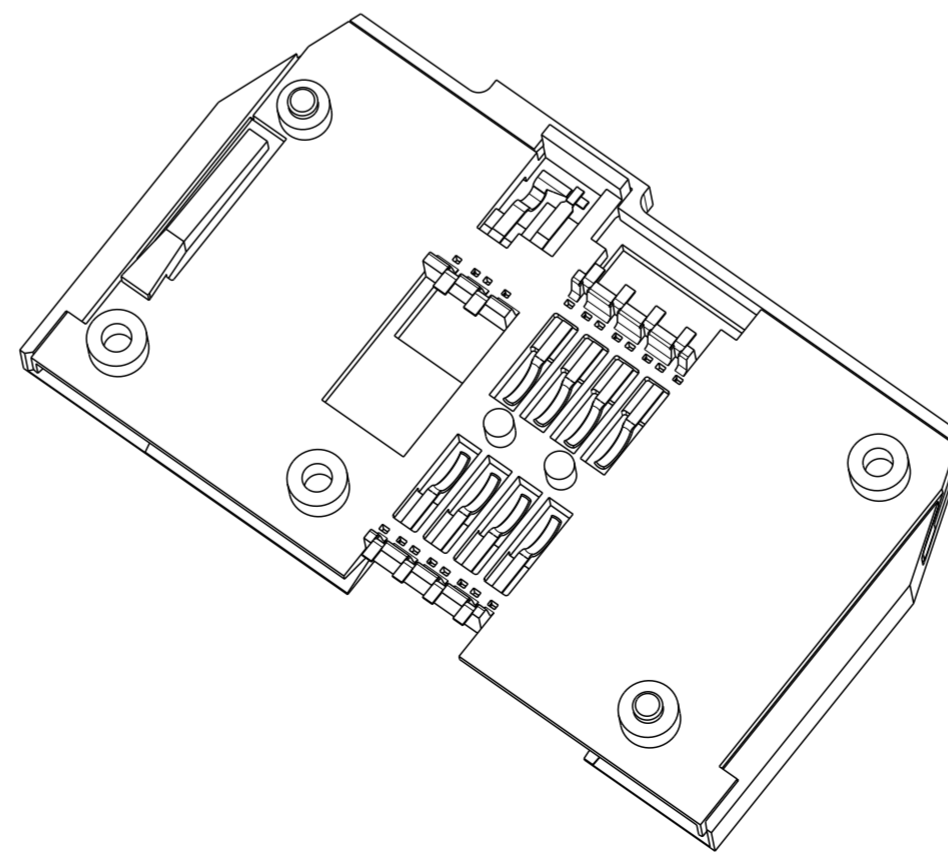
Copyright FCI.

F

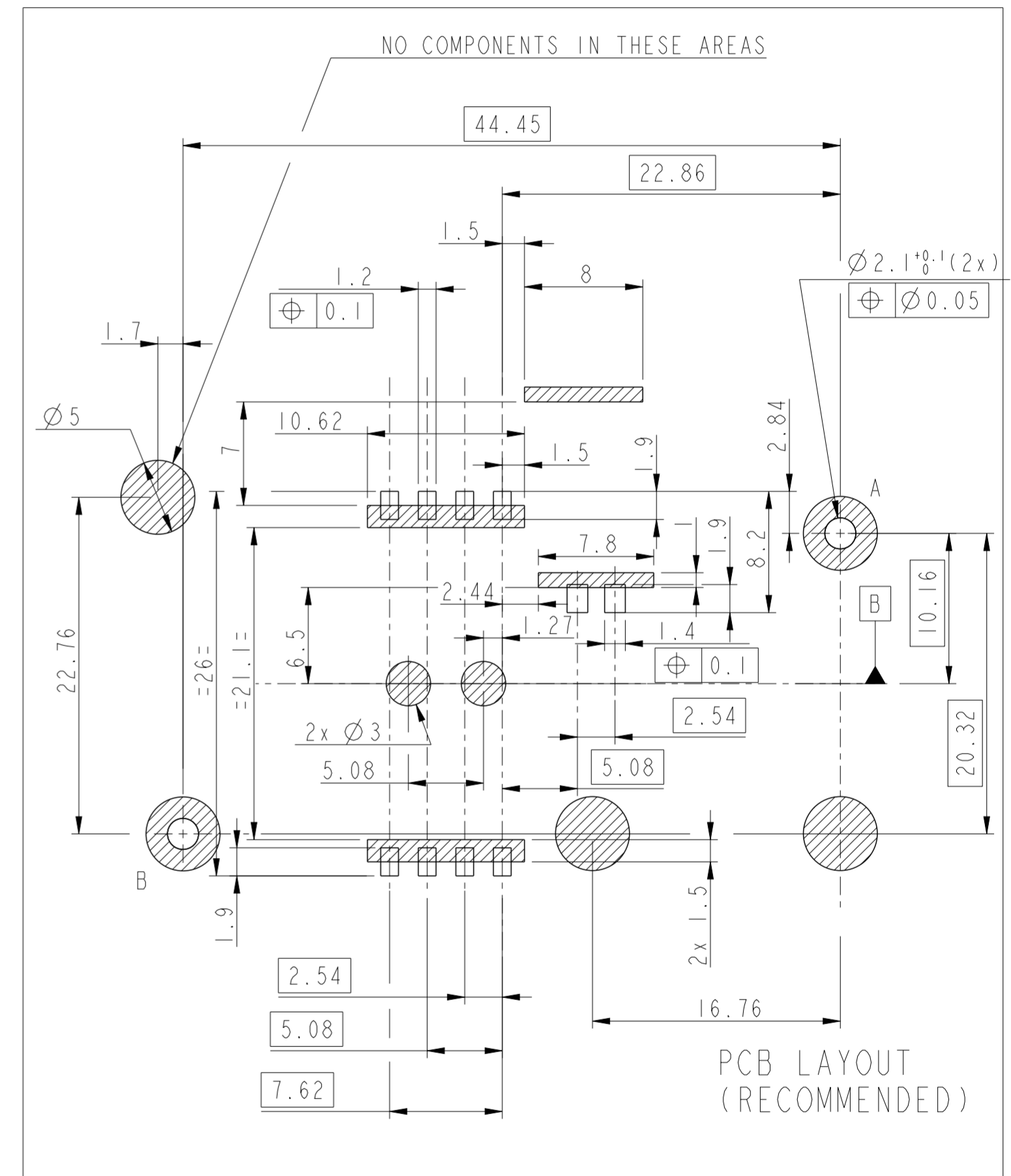


LAYOUT FOR KEEP OUT ZONE
(CONNECTOR SIDE)

for other dimensions see sheet N^o 1



SCALE 2:1



PCB LAYOUT
(RECOMMENDED)

www.fciconnect.com		surface	--	tolerance std	ISO 1302	ISO 406	ISO 1101	projection	mm
		✓		TOLERANCES UNLESS OTHERWISE SPECIFIED				⊕	↔
Dr	P.K RAMESH	2009/05/07	ANGULAR	0.x	±0.3	size		A2	Scale
Eng	P.K RAMESH	2009/05/07	LINEAR	0.xx	±0.1				4:1
Chr	V. SUDHIR	2009/05/07	0° ±2°	0.xxx	±0.05	ECN		110-0219	
Appr	V. SUDHIR	2009/05/07	Product family	MOBILE I/O		Spec ref		--	
FCJ		TITLE			CHIP CARD CONNECTOR		dwg no		10071782
		TYPE			P02 (8cts with cover)		Rev.		B
		catalog no			10071782-001LF		CUSTOMER		sheet 2 of 2