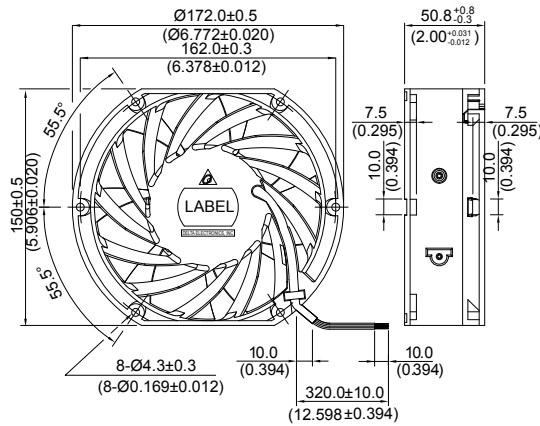


New



THB 172 x 150 x 50.8 MM SERIES

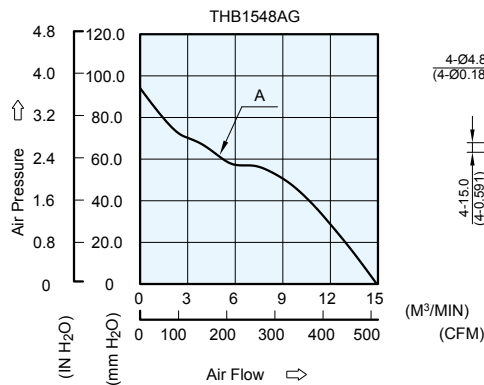
DIMENSIONS DRAWING



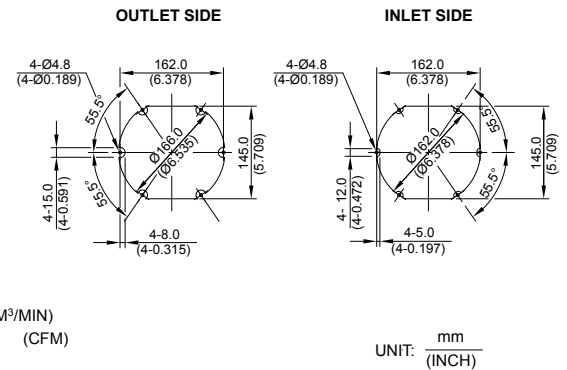
UNIT: $\frac{\text{mm}}{\text{INCH}}$

- * Bearing Type
Ball Bearings
- * Material
Impeller : Plastic(UL 94V-0)
Frame : Die-Cast Aluminum
- * Lead Wires :
UL1007 AWG#24 OR Equivalent
Black Wire Negative(-)
Red Wire Positive(+)
Blue Wire (F00)
Yellow Wire Speed Control (PWM)
- * Weight : 890g (31.39 oz)

P & Q CURVE (AT RATED VOLTAGE)



MOUNTING PANEL CUTOUT



UNIT: $\frac{\text{mm}}{\text{INCH}}$

MODEL		Rated Voltage	Operating Voltage Range	Input Current	Input Power	Speed	Maximum Air Flow		Maximum Air Pressure		Noise
PART NO.	FUNCTION	VDC	VDC	Amp	Watt	R.P.M.	m ³ /min	CFM	mmH ₂ O	IN H ₂ O	dB-A
THB1548AG	PWM/-F00	48	30.0 to 60.0	3.00	144.00	7500	14.930	527.47	95.92	3.780	77.0

* Function type is optional.
 * The max. air flow and the speed are measured in free air ; max. air pressure is measured at zero air flow.
 * Noise is measured in anechoic chamber in free air, one meter from intake side.
 * All readings are typical values at rated voltage.
 * Specifications are subject to change without notice.