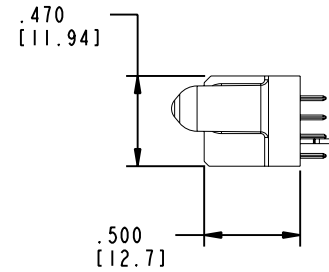
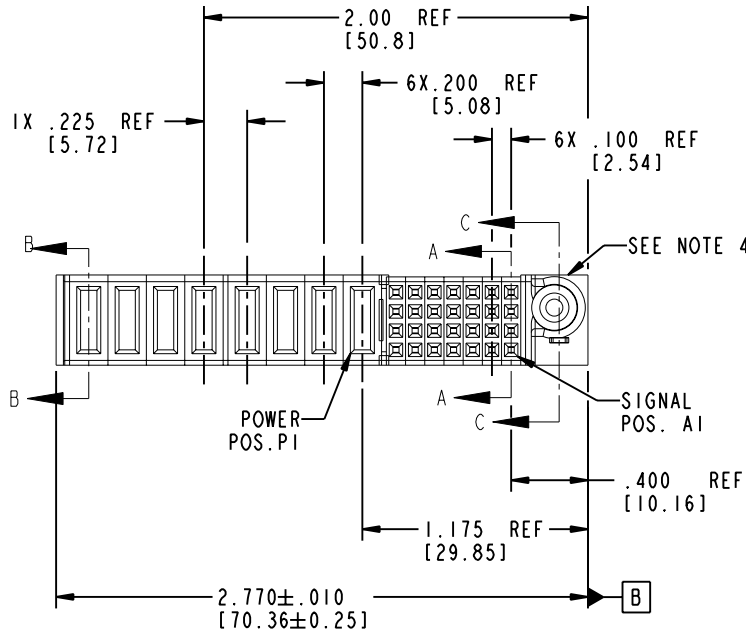


Tous droits strictement réservés. Reproduction ou communication a des tiers interdite sous quelque forme que ce soit sans autorisation écrite du propriétaire. Propriété de c FCI. Droits de reproduction FCI.

FCI

All rights strictly reserved. Reproduction or issue to third parties in any form whatever is not permitted without written authority from the proprietor. Property of FCI. Copyright FCI.

PRODUCT NO. 51940-127-- Note: ③	ROWS D C B A	POWER								SIGNAL							E1
		E2	P8	P7	P6	P5	P4	P3	P2	P1	7	6	5	4	3	2	
		PA	PA	PA	PA	PA	PA	PA	PA	E	E	E	E	E	E	E	E



CODE	DIM "M" MATING LENGTH	CONTACT TYPE
E	N/A [N/A]	SIGNAL
PA	.042 [1.07]	POWER
HA	N/A [N/A]	HOLD-DOWN

mat'l code		SEE NOTE 2		tolerances unless otherwise specified		CUSTOMER		 www.fciconnect.com	
ltr	ecn no.	dr	date	linear	.XX±.01/0.XX±0.3	COPY		title	
A	DG05-0046	SLUO	3/29/05		.XXX±.005/0.XX±0.13	projection		28S +8P VERTICAL SOLDER RECEPT	
B	DG05-0105	JM	05/10/05	angles	.XXX±.0020/0.XXX±0.051			product family	
				dr	SLUO	3/28/05	INCH/MM		PwrBlade
				engr	SLUO	3/28/05	scale		code
				chr	VICTOR LIN	3/28/05	1:1		213
				appd	JOSEPH HSIA	3/28/05			sheet
sheet index		revision	B	B	B	B			1 of 4
		sheet	1	2	3	4			

Pro/E

cage code **22526**

PDM: Rev:B

STATUS: Released

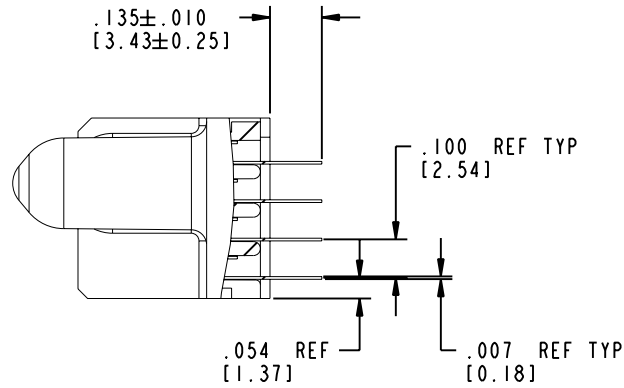
Printed: Dec 20, 2010

Tous droits strictement réservés. Reproduction ou communication a des tiers interdite sous quelque forme que ce soit sans autorisation écrite du propriétaire. Propriété de c FCI. Droits de reproduction FCI.

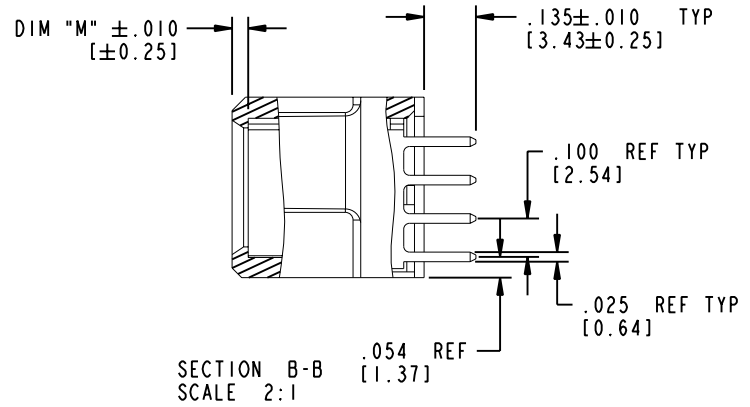
A
FCI

All rights strictly reserved. Reproduction or issue to third parties in any form whatever is not permitted without written authority from the proprietor. Property of FCI. Copyright FCI.

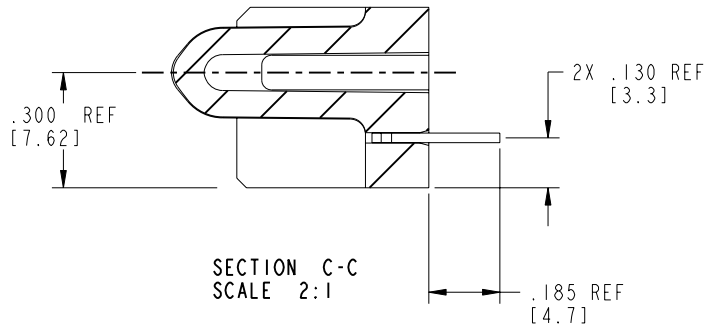
PRODUCT NUMBER
51940-127..
Note: ③




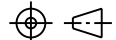

SECTION A-A
SCALE 2:1



SECTION B-B
SCALE 2:1



SECTION C-C
SCALE 2:1

mat'l code				SEE NOTE 2		tolerances unless otherwise specified		CUSTOMER		 www.fciconnect.com	
ltr	ecm no.	dr	date	linear	.XX±.01/0.X±0.3		COPY				
B					.XXX±.005/0.XX±0.13		projection				
					.XXXX±.0020/0.XXX±0.051				28S +8P VERTICAL SOLDER RECEPT		
					angles	0° ± 2°		INCH/MM scale 1:1		product family	
					dr	SLUO	3/28/05			PwrBlade	
				engr	SLUO	3/28/05			code		
				chr	VICTOR LIN	3/28/05			213		
				appd	JOSEPH HSIA	3/28/05			sheet		
sheet index		revision sheet						A		51940-127	
										2 of 4	

Pro/E

cage code **22526**

PDM: Rev:B

STATUS: **Released**

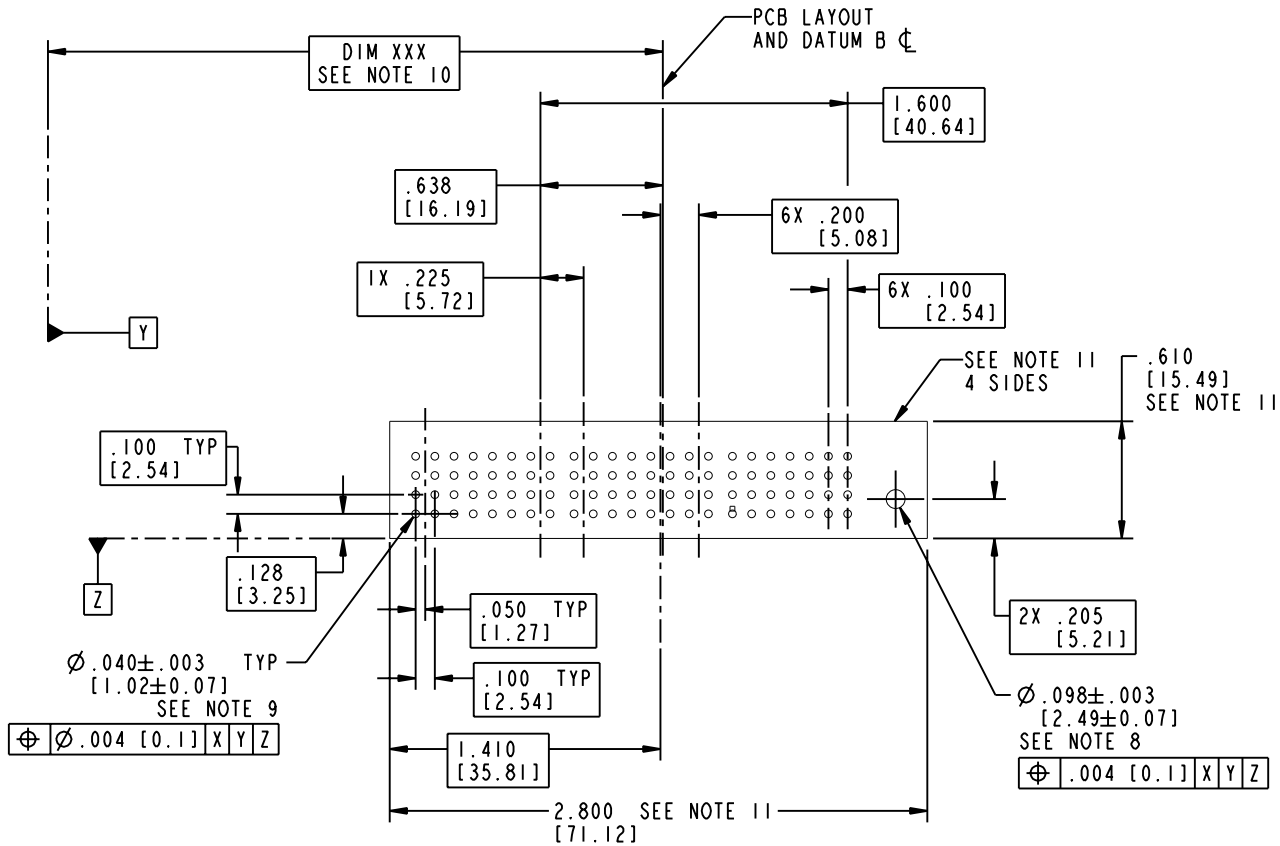
Printed: Dec 20, 2010

Tous droits strictement réservés. Reproduction ou communication a des tiers interdite sous quelque forme que ce soit sans autorisation écrite du propriétaire. Propriété de c FCI. Droits de reproduction FCI.

FCI

All rights strictly reserved. Reproduction or issue to third parties in any form whatever is not permitted without written authority from the proprietor. Property of FCI. Copyright FCI.

PRODUCT NUMBER
51940-127..
 Note: (3)



mat'l code				SEE NOTE 2		tolerances unless otherwise specified		CUSTOMER		 www.fciconnect.com	
ltr	ecn no.	dr	date	linear	.XX±.01/0.X±0.3	projection	COPY		title		
B				angles	.XXX±.005/0.XX±0.13				28S +8P VERTICAL SOLDER RECEPT		
				dr	SLUO 3/28/05	INCH/MM	product family		code		
				enrg	SLUO 3/28/05		PwrBlade		213		
				chr	VICTOR LIN 3/28/05	scale	size		sheet		
				appd	JOSEPH HSIA 3/28/05	1:1	51940-127		3 of 4		
sheet index		revision sheet									

Pro/E

cage code **22526**

PDM: Rev:B

STATUS: **Released**

Printed: Dec 20, 2010

Tous droits strictement réservés. Reproduction ou communication a des tiers interdite sous quelque forme que ce soit sans autorisation écrite du propriétaire. Propriété de c FCI. Droits de reproduction FCI.

A
FCI

All rights strictly reserved. Reproduction or issue to third parties in any form, whenever is not permitted without written authority from the proprietor. Property of FCI. Copyright FCI.

B

PRODUCT NUMBER

51940-127..
Note: ③

NOTES:

1. DIMENSIONS AND TOLERANCES ARE IN ACCORDANCE WITH ASME Y14.5M, 1994 UNLESS OTHERWISE SPECIFIED.

CONNECTOR NOTES:

② HOUSING MATERIAL: UL 94 V-0 GLASS FILLED

HIGH-TEMP THERMOPLASTIC
POWER CONTACT MATERIAL: COPPER ALLOY
SIGNAL PIN MATERIAL: COPPER ALLOY

3. PLATING:

51940-127 Singal Pin:30u"/0.76um Au OVER 50u"/1.27um Ni ON THE CONTACT AREA,
AND 100u"/2.54um SnPb PLATING OVER 50u"/1.27um Ni ON THE TERMINATION SECTION.
Power Pin:30u"/0.76um Au OVER 50u"/1.27um Ni ON THE CONTACT AREA,
AND 100u"/2.54um SnPb PLATING OVER 50u"/1.27um Ni ON THE TERMINATION SECTION.

51940-127LF Singal Pin:30u"/0.76um Au OVER 50u"/1.27um Ni ON THE CONTACT AREA,
AND 78u"/2.00um Sn PLATING OVER 50u"/1.27um Ni ON THE TERMINATION SECTION.
Power Pin:30u"/0.76um Au OVER 50u"/1.27um Ni ON THE CONTACT AREA,
AND 78u"/2.00um Sn PLATING OVER 50u"/1.27um Ni ON THE TERMINATION SECTION.

PART NUMBER 51940-127LF MEETS EUROPEAN UNION DIRECTIVE AND OTHER COUNTRY REGULATIONS AS DESCRIBED IN GS-22-008.

THE HOUSING WILL WITHSTAND EXPOSURE TO 260° PEAK TEMPERATURE FOR 10 SECONDS IN A WAVE SOLDER APPLICATION WITH A CIRCUIT BOARD.

④ MANUFACTURER'S NAME, P/N, AND DATE CODE TO APPEAR ON THIS SURFACE.

5. PRODUCT SPECIFICATION GS-12-149.
APPLICATION SPECIFICATION BUS-20-067.

6. PACKAGED IN TRAYS.

PCB NOTES:

7. ALL HOLE DIAMETERS ARE FINISHED HOLE SIZE.


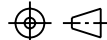


⑧ MOUNTING HOLES, WHERE APPLICABLE, ARE UNPLATED.

⑨ $\varnothing .0453 \pm .0010$ [1.151±0.025] DRILLED HOLES PLATED WITH

.0003 [0.008] MIN SnPb OVER .001 [0.03]
TO .003 [0.08] Cu PLATING TO ACHIEVE
 $\varnothing .040 \pm .003$ [1.02±.07] HOLE.

⑩ "DIM XXX" TO BE DETERMINED BY THE CUSTOMER.

⑪ CONNECTOR KEEP-OUT ZONE.

mat'l code		SEE NOTE 2		tolerances unless otherwise specified		CUSTOMER		 FCI www.fciconnect.com	
ltr	ecr no.	dr	date	linear	.XX±.01/0.XX±0.3	COPY			
B				projection	.XXX±.005/0.XX±0.13			title	28S +8P
				angles	.XXXX±.0020/0.XXX±0.051			VERTICAL SOLDER RECEPT	
				dr	0° ± 2°			product family	PwrBlade
				engr	SLUO 3/28/05	INCH/MM		code	213
				chr	SLUO 3/28/05	scale		size	dwg no
				appd	VICTOR LIN 3/28/05	1:1		51940-127	
					JOSEPH HSIA 3/28/05			sheet	4 of 4
sheet index	revision sheet								

1 | 2

Pro/E

3 |

cage code **22526**

4

PDM: Rev:B

STATUS: **Released**

Printed: Dec 20, 2010