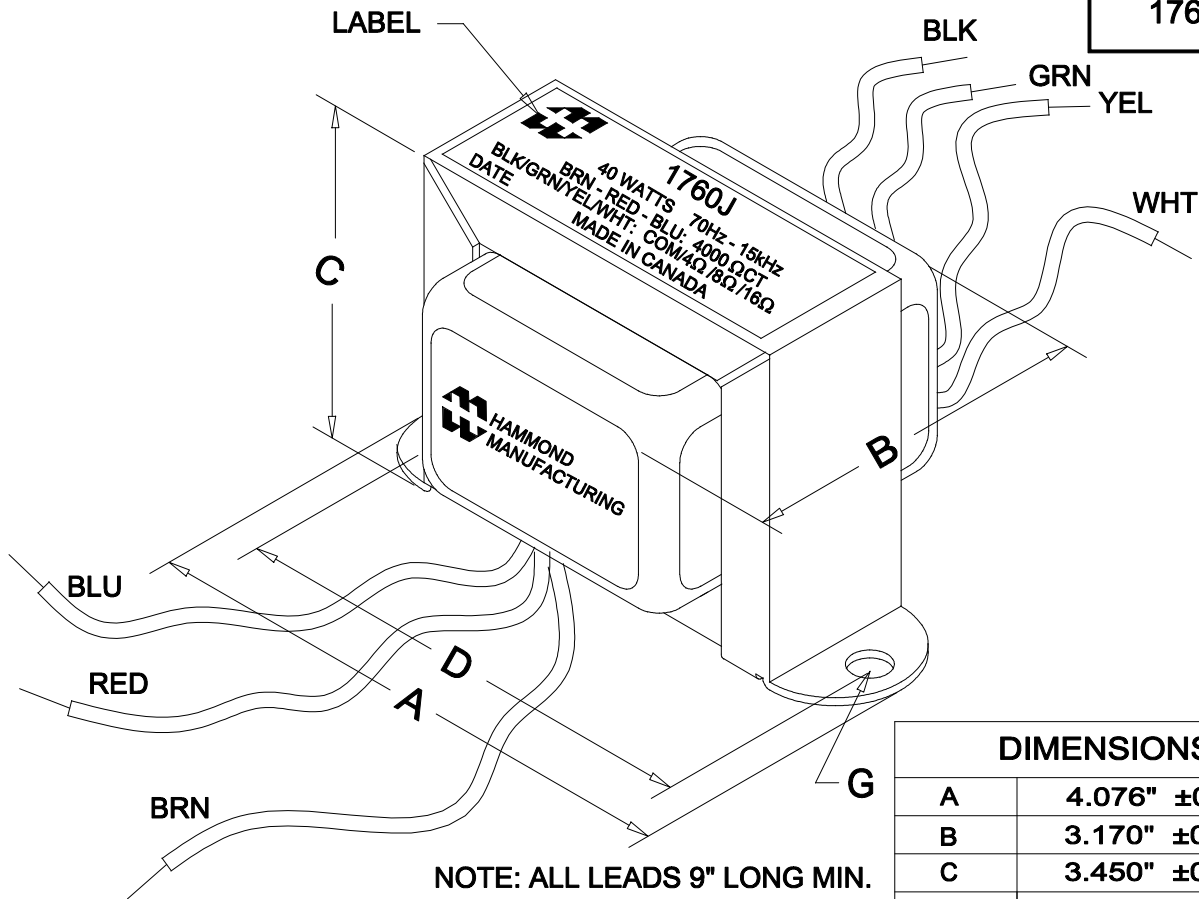


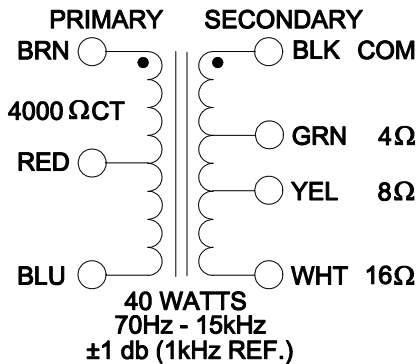
1760J



NOTE: ALL LEADS 9" LONG MIN.

DIMENSIONS:

A	4.076" ±0.063
B	3.170" ±0.125
C	3.450" ±0.063
D	3.500" ±0.063
E	2.580" ±0.063
F	3.125" ±0.063
G	0.187"X 0.300" ±0.015



ELECTRICAL DATA:

Turns ratio:	31.11 : 1
Inductance	@240V,60Hz =>90.95H (Open circuit)
DCR	@ 20C, BRN - BLU =185.0 Ω ±20%
	@ 20C, BLK - GRN =0.40 Ω ±20%
FREQ. RESP	@ 40W(374.1V), 70Hz - 15kHz, BRN - BLU±1db(1kHz REF.)
Pri. Impedance	4000 Ω CT (374.1V)
Sec. Impedance	4/8/16 Ω (11.83/16.3/23.66V)
Power	40 WATTS



PHONE (519) 886-6181
FAX # (519) 886-9540

TITLE 1760J

			DR BY B.Pervaiz
			DATE 08/25/09
NO	DATE	REVISION	DIM IN(X)MM()

1760J