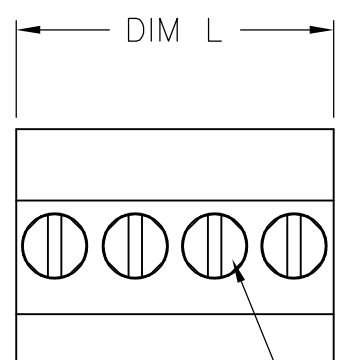


THIS DRAWING IS UNPUBLISHED. RELEASED FOR PUBLICATION
 © COPYRIGHT - BY TYCO ELECTRONICS CORPORATION. ALL RIGHTS RESERVED.

LOC	DIST	REVISIONS					
		P	LTR	DESCRIPTION	DATE	DWN	APVD
-	-	1	-		3/17/08	SS	CR

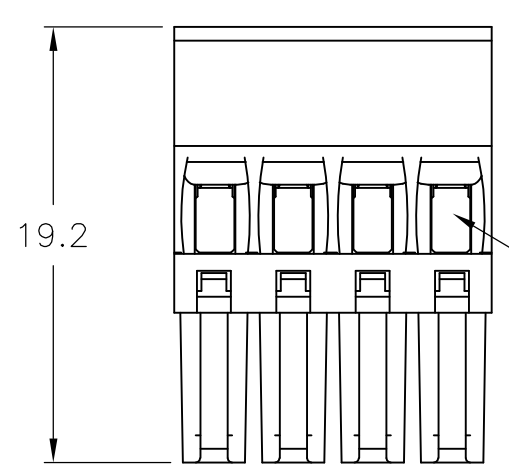


CLAMPING SCREW

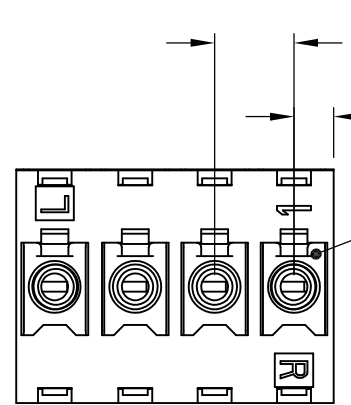
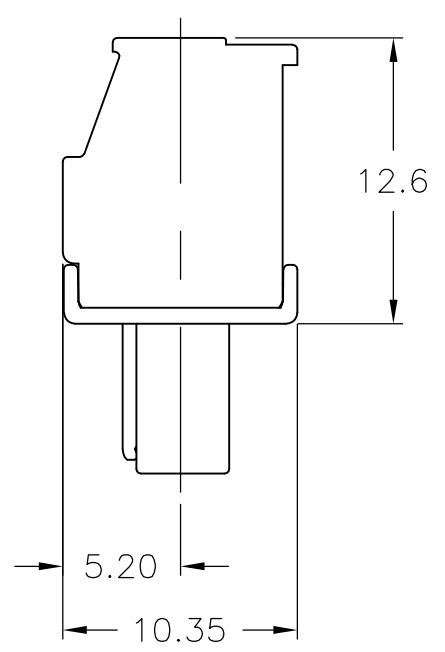
MATERIALS AND FINISH:
 HOUSING: PA 6-6, UL94V-0, COLOR: BLACK.
 CLAMP: BRASS, NICKEL PLATED.
 CONTACT SPRING: PHOSPHOR BRONZE, TIN PLATED.
 CLAMPING SCREW: M2, BRASS, NICKEL PLATED.

ELECTRICAL:
 VOLTAGE RATING: 300V
 CURRENT RATING: 11A
 WIRE SIZE RANGE: 14-30 AWG

ENVIRONMENTAL:
 OPERATING TEMP RANGE: -40°C TO +110°C



WIRE ENTRY



MATING FACE

THIS PRINT IS
PRELIMINARY
 PRIOR TO CUSTOMER ORDER
 CONTACT PRODUCT ENGINEERING
 BEFORE USING THIS PRINT

56.0	16	1-1986368-6
52.5	15	1-1986368-5
49.0	14	1-1986368-4
45.5	13	1-1986368-3
42.0	12	1-1986368-2
38.5	11	1-1986368-1
35.0	10	1-1986368-0
31.5	9	1986368-9
28.0	8	1986368-8
24.5	7	1986368-7
21.0	6	1986368-6
17.5	5	1986368-5
14.0	4	1986368-4
10.5	3	1986368-3
7.0	2	1986368-2
DIM L	NO OF POS	PART NUMBER

THIS DRAWING IS A CONTROLLED DOCUMENT.		DWN	17MAR2008	Tyco Electronics Corporation Harrisburg, PA 17105-3608	
DIMENSIONS: mm		CHK	3/17/08		
TOLERANCES UNLESS OTHERWISE SPECIFIED:		APVD	3/17/08		
0 PLC ± - 1 PLC ± 0.3 2 PLC ± 0.25 3 PLC ± - 4 PLC ± - ANGLES ± 2°		NAME	C RICHARD		
MATERIAL		PRODUCT SPEC	TERMINAL BLOCK, PLUG, VERTICAL STACKING, RIGHT HAND, 3.50mm PITCH		
FINISH		APPLICATION SPEC	-		
		WEIGHT	-		
		CUSTOMER DRAWING		SIZE	A3
				CAGE CODE	00779
				DRAWING NO	C-1986368
				RESTRICTED TO	-
				SCALE	NTS
				SHEET	1 OF 1
				REV	1