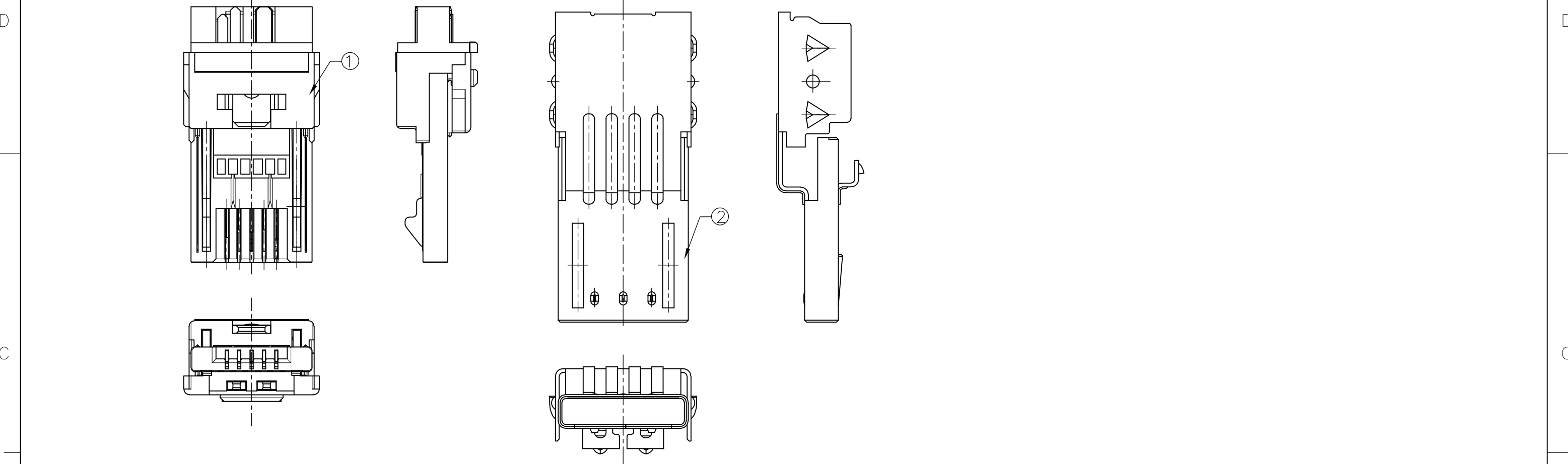
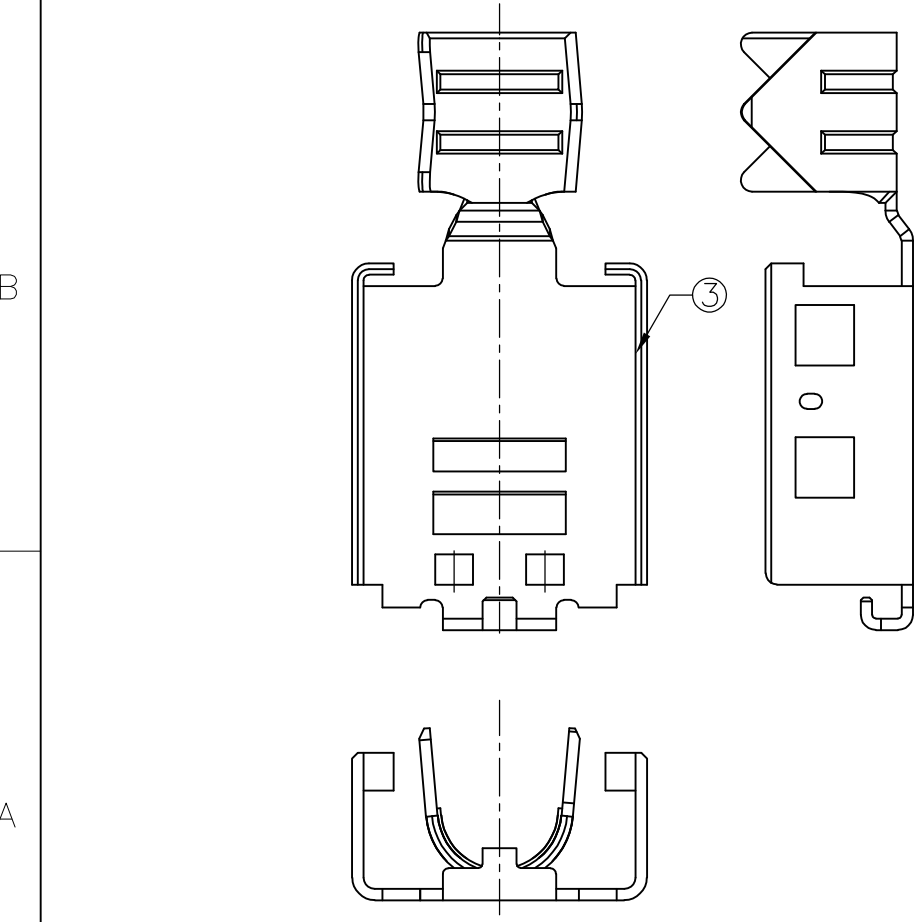


THIS DRAWING IS UNPUBLISHED. RELEASED FOR PUBLICATION .2007.
 © COPYRIGHT 2007 By - ALL RIGHTS RESERVED.

LOC	DIST	REVISIONS					
J	/	P	LTR	DESCRIPTION	DATE	DWN	APVD
		E		REVISED PER ECR-11-014079	15NOV2011	T.T	J.T



1. ITEM 2 AND 3 ARE NOT ASSEMBLED.
 2. PACKAGING QUANTITY : 550 KIT



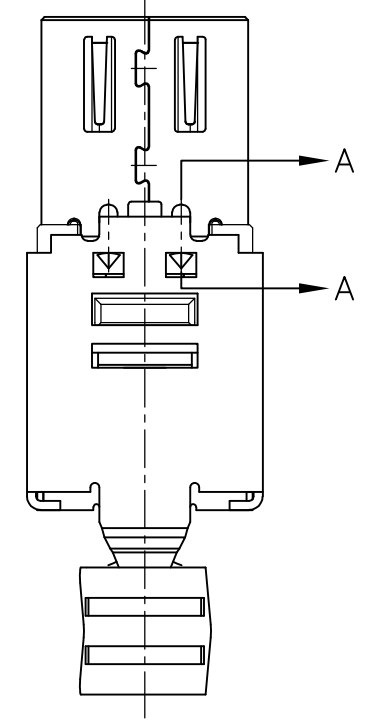
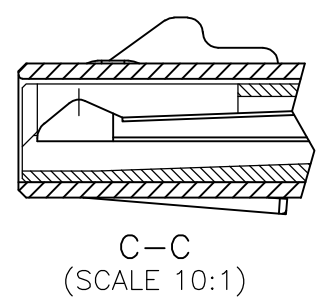
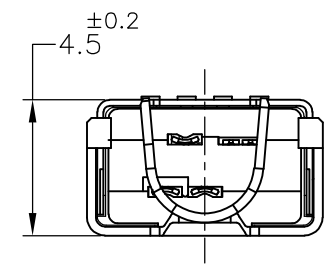
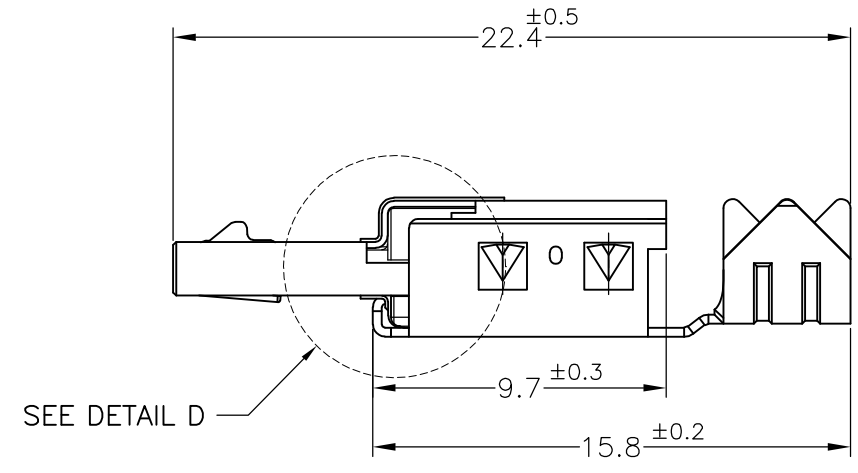
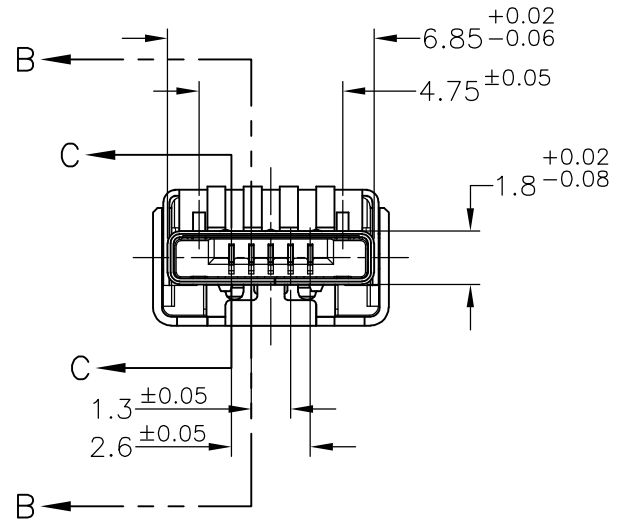
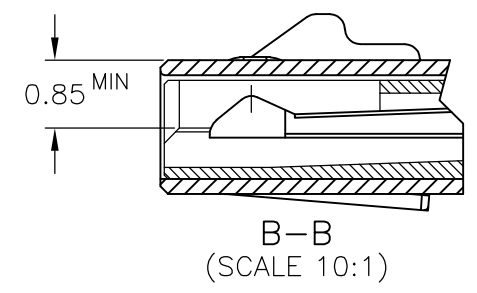
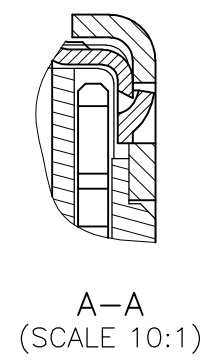
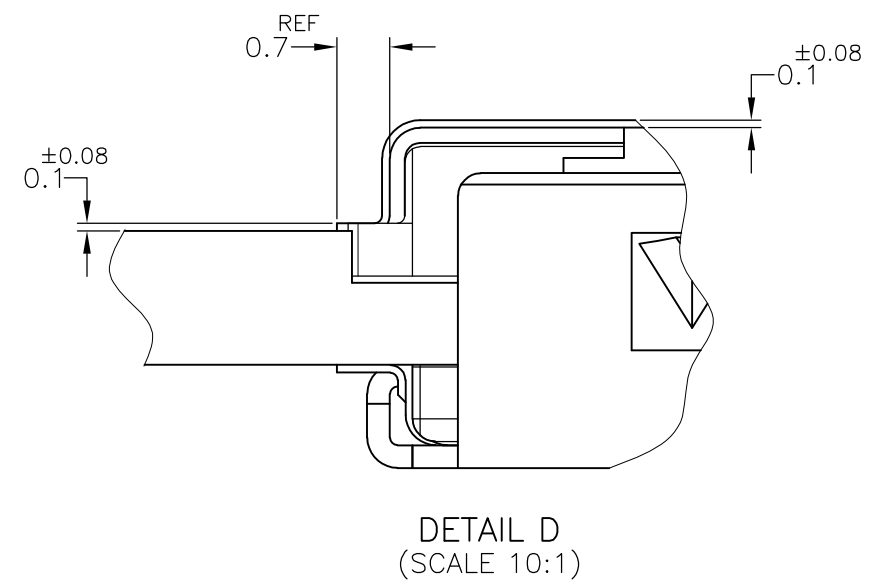
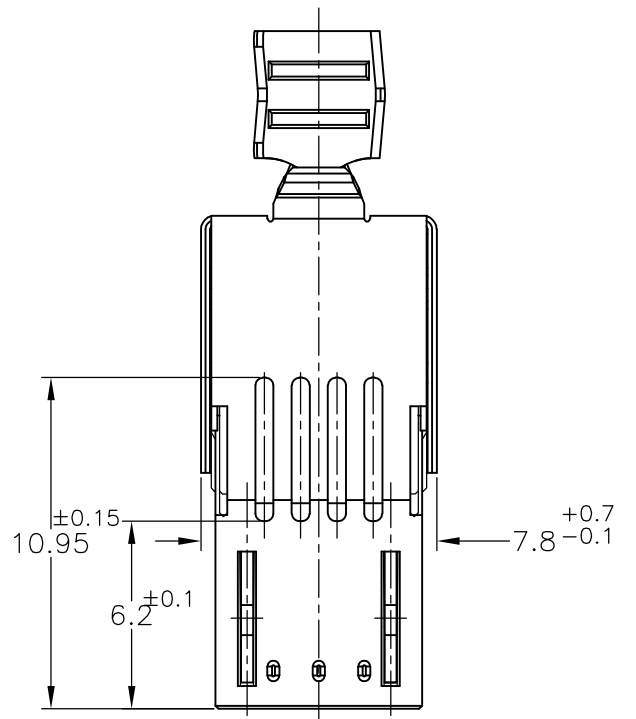
OBSOLETE	ø4.3	NOT AVAILABLE	SELECTIVE Au PLATED OVER Ni-Pd PLATED OVER Ni PLATED	1-1939053-3	LOWER SHELL	1-1939061-6	⑥
		AVAILABLE	SELECTIVE Au PLATED OVER Ni PLATED	1939053-3	UPPER SHELL	1-1939059-2	②
OBSOLETE	ø3.3	NOT AVAILABLE	SELECTIVE Au PLATED OVER Ni-Pd PLATED OVER Ni PLATED	1-1939053-2	SUB ASSY	1-1939079-2	①
		AVAILABLE	SELECTIVE Au PLATED OVER Ni PLATED	1939053-2	LOWER SHELL	1-1939061-6	③
OBSOLETE	ø2.8	NOT AVAILABLE	SELECTIVE Au PLATED OVER Ni-Pd PLATED OVER Ni PLATED	1-1939053-1	UPPER SHELL	1-1939059-2	②
		AVAILABLE	SELECTIVE Au PLATED OVER Ni PLATED	1939053-1	SUB ASSY	1-1939079-1	①
	APPLICABLE CABLE DIAMETER	TOOLING STATUS	CONTACT FINISH	PART NO. FOR KIT	DESCRIPTION	PART NO.	ITEM

THIS DRAWING IS A CONTROLLED DOCUMENT.

DWN	J.TSUJI	06AUG2007	 TE Connectivity	NAME T.KUSUHARA PRODUCT SPEC 製品規格 APPLICATION SPEC 取付適用規格
CHK	T.KUSUHARA	07AUG2007		
APVD	T.KUSUHARA	07AUG2007		
DIMENSIONS: 単位: 耗 mm 			MICRO USB I/O PLUG TYPE A KIT	
TOLERANCES UNLESS OTHERWISE SPECIFIED: 一般公差 0 PLC ± - 1 PLC ± - 2 PLC ± - 3 PLC ± - 4 PLC ± - ANGLES ± -			SIZE A3	CAGE CODE 00779
MATERIAL 材料			DRAWING NO 番号 G-1939053	RESTRICTED TO -
FINISH 仕上			CUSTOMER DRAWING	
WEIGHT -			SCALE 尺度 5:1	SHEET 1 OF 3
FINISH 仕上			REV E	

THIS DRAWING IS UNPUBLISHED. RELEASED FOR PUBLICATION .2006.
 © COPYRIGHT 2006 By - ALL RIGHTS RESERVED.

LOC	DIST	REVISIONS			DATE	DWN	APVD
J	/	P	LTR	DESCRIPTION			
		-		SEE SHEET 1	-	-	-

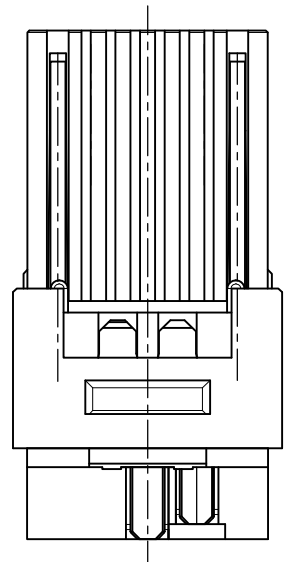
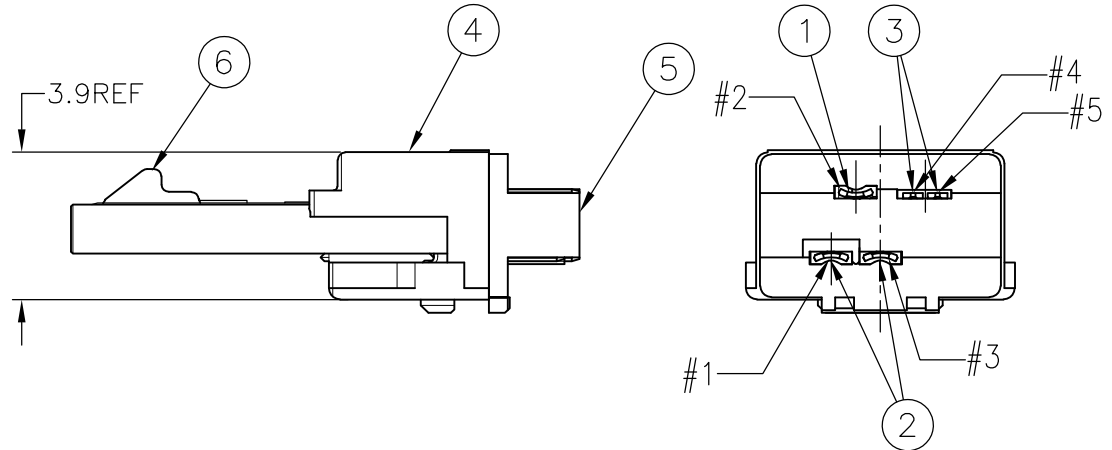
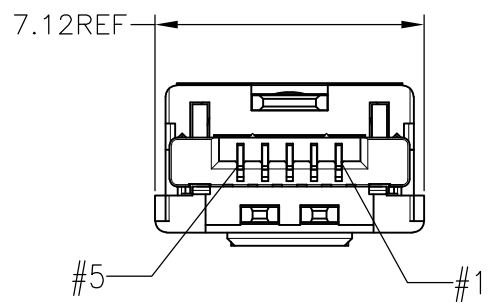
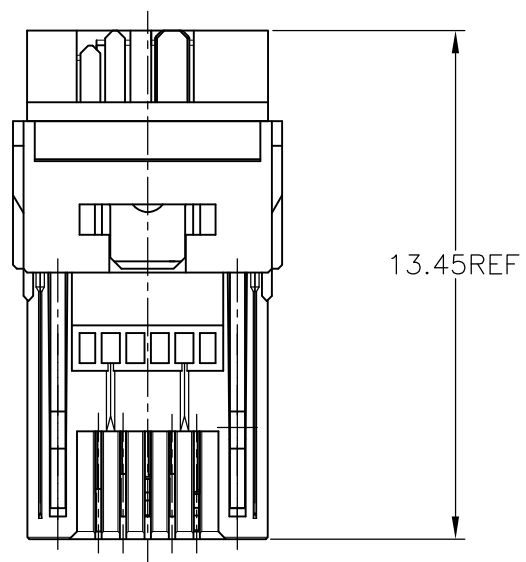


REFERENCE: SHELL ASSEMBLY

THIS DRAWING IS A CONTROLLED DOCUMENT.		DWN	-	TE Connectivity		
DIMENSIONS: 單位: 毫米 mm		CHK	-			
TOLERANCES UNLESS OTHERWISE SPECIFIED: 一般公差		APVD	-	NAME 名稱		
0 PLC ± -		PRODUCT SPEC 製品規格		MICRO USB I/O PLUG TYPE A KIT		
1 PLC ± -		APPLICATION SPEC 取付適用規格		SIZE	CAGE CODE	DRAWING NO 番号
2 PLC ± -		WEIGHT		A3	00779	C-1939053
3 PLC ± -		CUSTOMER DRAWING		RESTRICTED TO		
4 PLC ± -		SCALE 尺度 4:1		SHEET 2 OF 3		REV E
ANGLES ± -						
FINISH 仕上						
MATERIAL 材料						

THIS DRAWING IS UNPUBLISHED. RELEASED FOR PUBLICATION ,2006.
 © COPYRIGHT 2006 By - ALL RIGHTS RESERVED.

LOC	DIST	REVISIONS 変更					
J	/	P	LTR	DESCRIPTION	DATE	DWN	APVD
		-		SEE SHEET 1	-	-	-



REFERENCE: SUB ASSY

NAME	TOOLING STATUS	P/N	DESCRIPTION	PART NO.	MATERIAL	FINISH	ITEM
SUB ASSY	NOT AVAILABLE	1-1939079-2	LOCK LEVER	1981274-3	STAINLESS STEEL		⑥
			BOTTOM COVER	1981244-1	THERMO PLASTIC		⑤
			HOUSING	1939055-1	THERMO PLASTIC		④
			CONTACT C	1981214-3	COPPER ALLOY	SELECTIVE Au PLATED OVER Ni-Pd PLATED OVER Ni PLATED	③
			CONTACT B	1939058-3	COPPER ALLOY	SELECTIVE Au PLATED OVER Ni-Pd PLATED OVER Ni PLATED	②
	CONTACT A	1939057-3	COPPER ALLOY	SELECTIVE Au PLATED OVER Ni-Pd PLATED OVER Ni PLATED	①		
	AVAILABLE	1-1939079-1	LOCK LEVER	1981274-3	STAINLESS STEEL		⑥
			BOTTOM COVER	1981244-1	THERMO PLASTIC		⑤
			HOUSING	1939055-1	THERMO PLASTIC		④
			CONTACT C	1981214-2	COPPER ALLOY	SELECTIVE Au PLATED OVER Ni PLATED	③
CONTACT B			1939058-2	COPPER ALLOY	SELECTIVE Au PLATED OVER Ni PLATED	②	
CONTACT A	1939057-2	COPPER ALLOY	SELECTIVE Au PLATED OVER Ni PLATED	①			

THIS DRAWING IS A CONTROLLED DOCUMENT.

DWN
CHK
APVD

PRODUCT SPEC
製品規格

APPLICATION SPEC
取付適用規格

WEIGHT

STE TE Connectivity

NAME
名称
MICRO USB I/O
PLUG TYPE A
KIT

SIZE
A3

CAGE CODE
00779

DRAWING NO
番号
C-1939053

RESTRICTED TO

CUSTOMER DRAWING

SCALE
尺度
5:1

SHEET
3 OF 3

REV
E