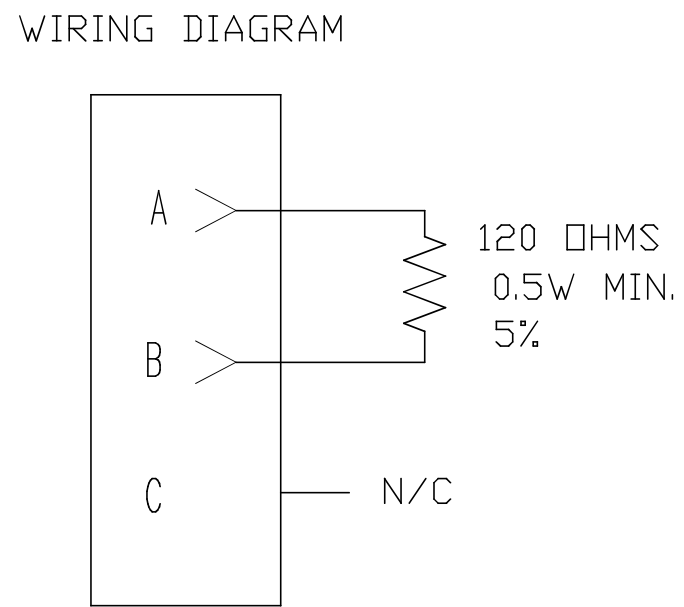
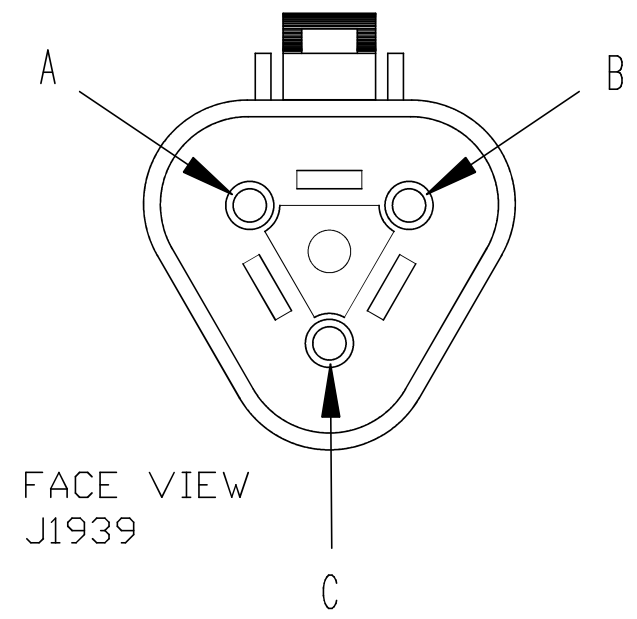
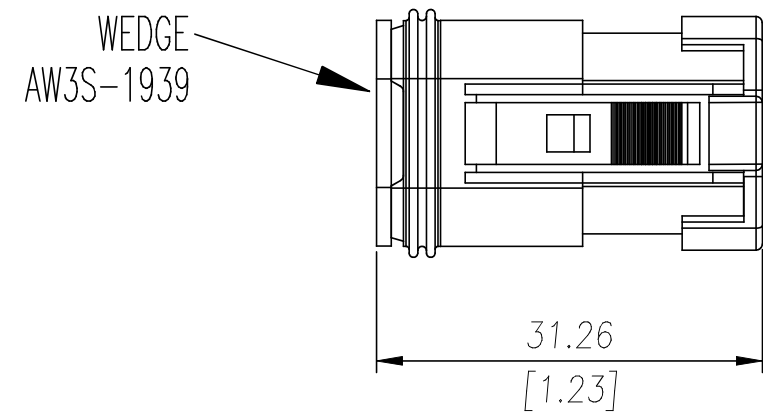
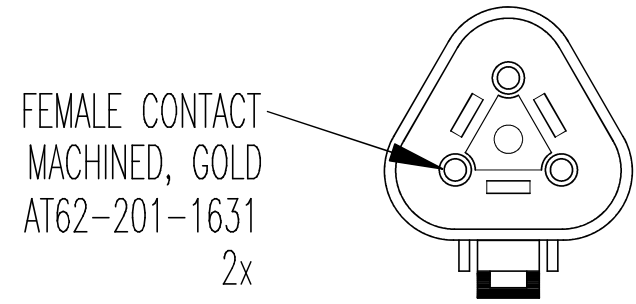
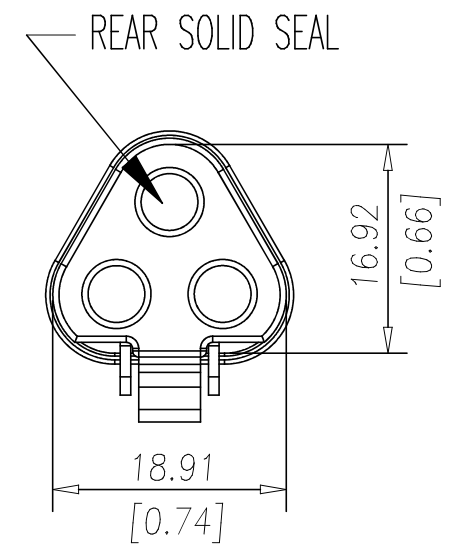
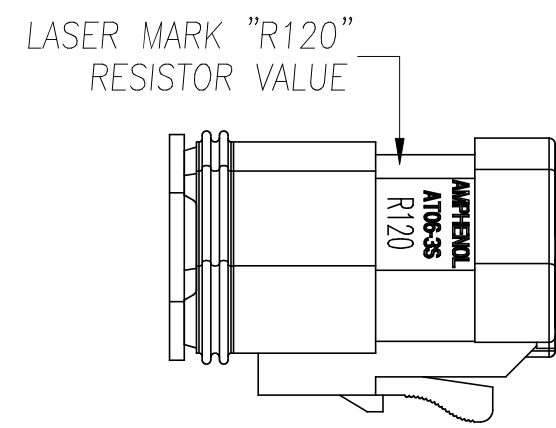
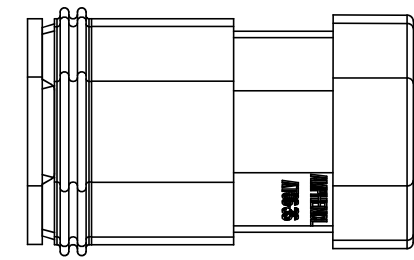


REVISIONS						
REV	ZONE	ECO	DESCRIPTION	DATE	BY	APPR
01	--	--	RELEASE	02MAR12	RFC	RFC
02	--	--	UPDATE DRAWING FORMAT	06NOV13	DRP	DRP

NOTES: UNLESS OTHERWISE SPECIFIED

- 1 DIMENSIONS ARE FOR REFERENCE ONLY.
- 2 PART NUMBER AT06-3S-RJ120BK IS FULLY ASSEMBLED READY FOR INSTALLATION.
- 3 COLOR TO BE SINE SYSTEMS STANDARD 'AT' BLACK.



CUSTOMER DRAWING

ITEM	PART NUMBER	Qty	DESCRIPTION	REMARK	
MATERIALS LIST					
UNLESS OTHERWISE SPECIFIED 1) All dimensions are in metric(mm). 2) Tolerances are as follows: 1 PL DEC ±0.20 2 PL DEC ±0.10 3 PL DEC ±0.05			MATERIAL SPECIFICATIONS:	SINE Systems Corporation A Subsidiary of Amphenol Corporation	
Fractions ±1/64 Angles ±1°			PROCESS SPECIFICATIONS: IPC620-A		
SIGNATURE		DATE	THIS DRAWING IS SUPPLIED FOR INFORMATION ONLY. DESIGN FEATURES, SPECIFICATIONS AND PERFORMANCE DATA SHOWN HEREON ARE THE PROPERTY OF THE AMPHENOL CORPORATION. NO RIGHTS OF REPRODUCTION ARE IMPLIED. ALL DIMENSIONS ARE SUBJECT TO NORMAL MANUFACTURING VARIATIONS.		
DRAWN	R. CURRY	02-MAR-12			
CHECKED	R. CURRY	02-MAR-12			
ENGINEER	R. CURRY	02-MAR-12			
APPROVAL	R. CURRY	02-MAR-12			
CUSTOMER	ALL		NEXT ASSY:		
DWG NO.		AT06-3S-RJ120BK			
THIRD ANGLE PROJECTION	FSCM NO.	SIZE	MASS	REV.	SCALE
		A3		02	NONE
SHEET 1 OF 1					