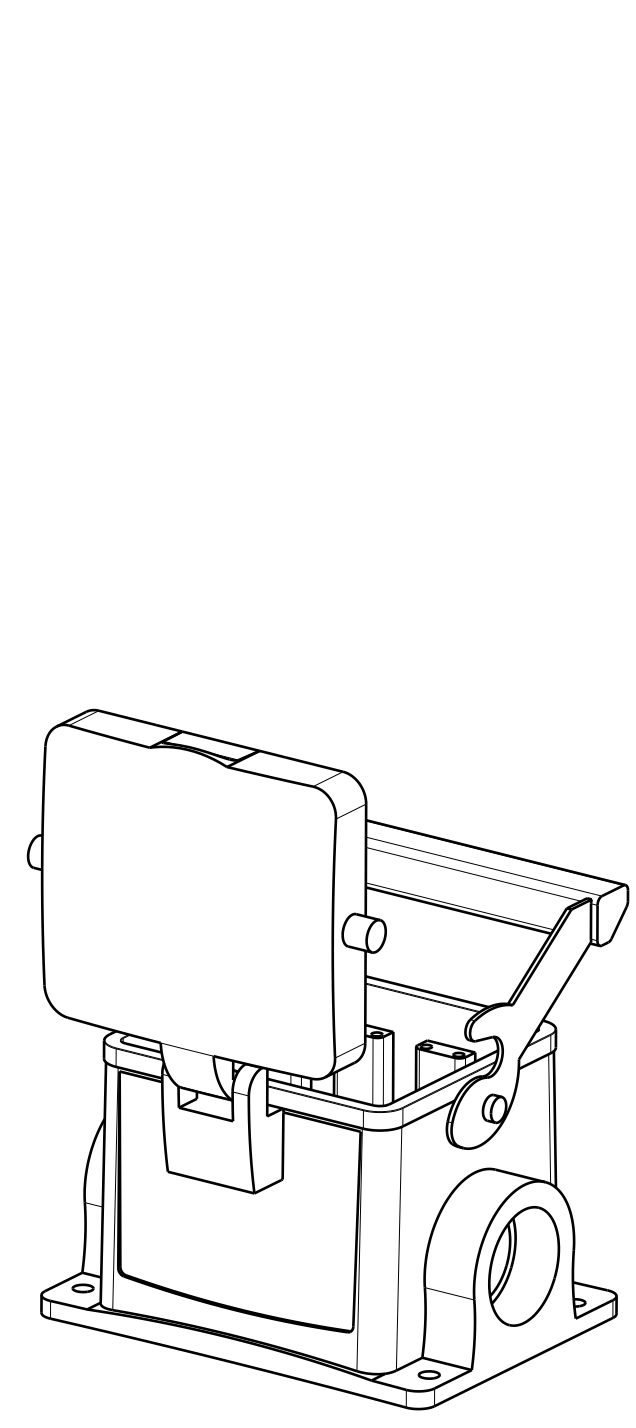
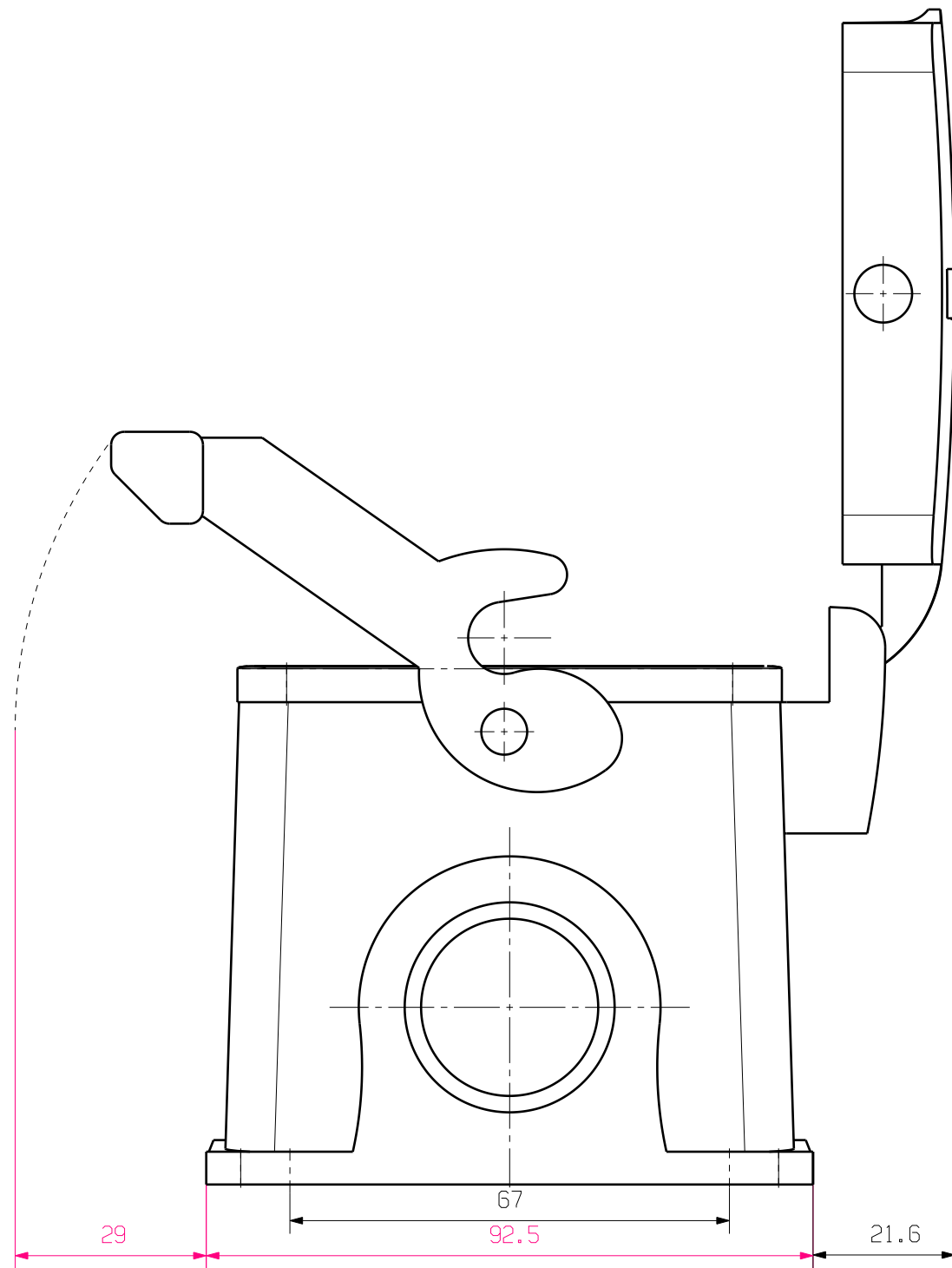
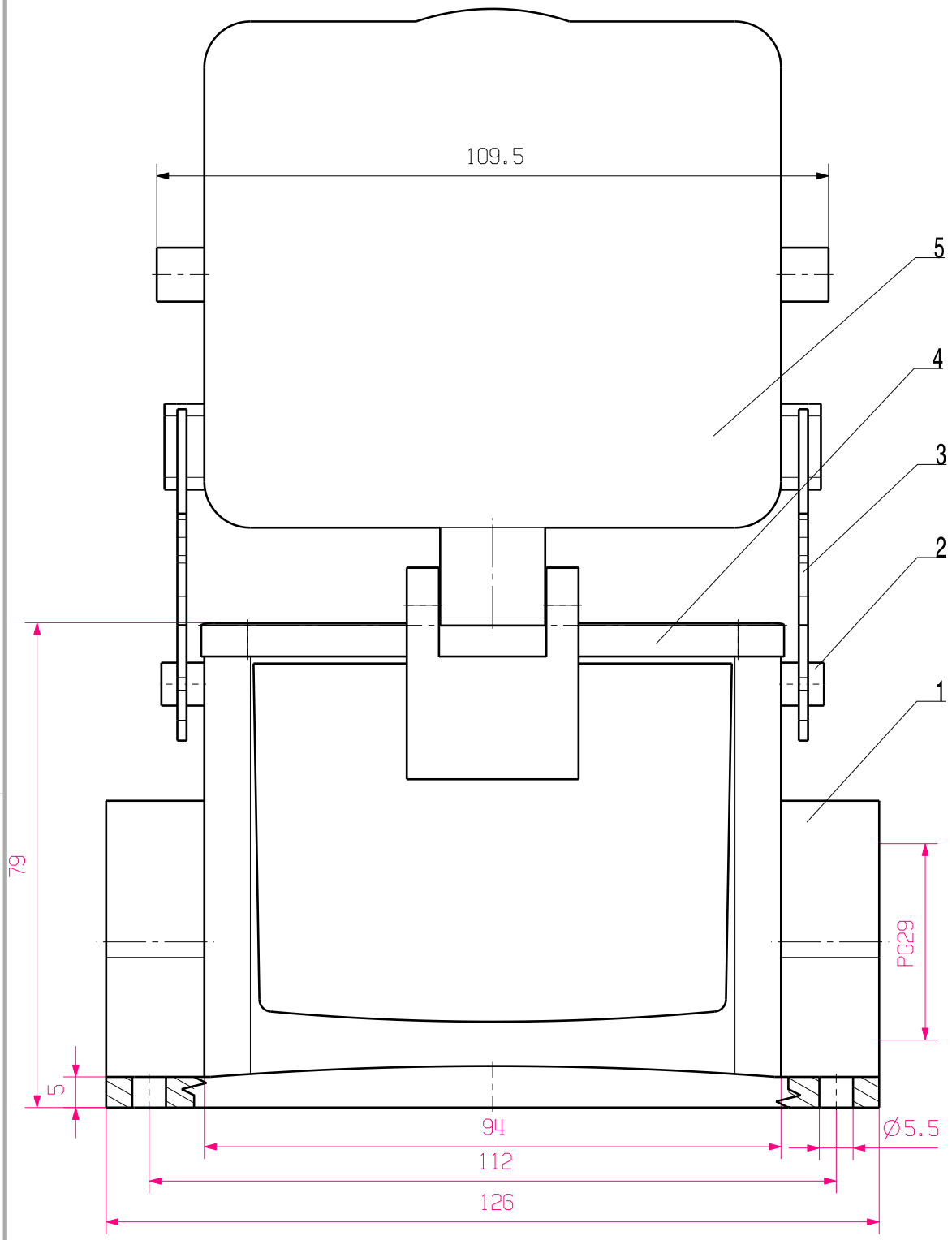


MASSE OHNE TOLERANZ SIND KEINE PRUEFMASSE
 DIMS. WITHOUT TOLERANCE ARE NOT CONTROL DIMS.

WEITERGABE SOWIE VERVIELFÄLTIGUNG DIESER DOKUMENTS, VERWERTUNG UND MITTEILUNG SEINER INHALTS SIND VERBOTEN, SOWEIT NICHT AUSDRUECKLICH GESTATET.
 ZUWIDERHANDLUNGEN VERPFLICHTEN ZU SCHADENSERSATZ. ALLE RECHTE FUER DEN FALL DER PATENT-, GEBRAUCHSMUSTER- ODER GESCHWACKMUSTEREINTRAGUNG VORBEHALTEN.
 THE REPRODUCTION, DISTRIBUTION AND UTILIZATION OF THIS DOCUMENT AS WELL AS THE COMMUNICATION OF ITS CONTENTS TO OTHERS WITHOUT EXPLICIT AUTHORIZATION IS PROHIBITED.
 OFFENDERS WILL BE HELD LIABLE FOR THE PAYMENT OF DAMAGES. ALL RIGHTS RESERVED IN THE EVENT OF THE GRANT OF A PATENT, UTILITY MODEL OR DESIGN.



| | | |
|----------------------------|------------------|-------------------------------|
| 5 | COVER | ALUMINIUM WITH POWDER COATING |
| 4 | SEALING | NBR |
| 3 | LOCKING | STAINLESS STEEL |
| 2 | LOCKING BOLTS | STAINLESS STEEL |
| 1 | BASE HOUSING | ALUMINIUM WITH POWDER COATING |
| ROHSTOFF-NR. R.PART NO. | TYP PART NAME | WERKSTOFF MATERIAL |

| | | | |
|------------------|-------------|---|---------|
| MAX. NRN./NOS. ? | | CAT.NO.: 1666810000 | |
| MODIFICATION | | DRAWING NO. ISSUE NO. | |
| Weidmüller | | DRAWING NO. ISSUE NO. | |
| SCALE: 1/1 | DRAWN | DATE | NAME |
| SUPERSEDES: | RESPONSIBLE | 17.10.2005 | YANG_A |
| SUPERSEDED BY: | CHECKED | 31.10.2005 | ZHANG_T |
| | APPROVED | | |
| | | PRODUCT FILE: | |
| | | HDC 48A SDLU 1PG29G SOCKELGEHAEUSE BASE HOUSING | |