

Housing - HC-B 06-SMLD-52/O1M20 - 1460275

Please be informed that the data shown in this PDF Document is generated from our Online Catalog. Please find the complete data in the user's documentation. Our General Terms of Use for Downloads are valid (<http://phoenixcontact.com/download>)



Box mounting base, with single locking latch, height: 74 mm, with glands, 2 x M20, with protective cover



Key Commercial Data

| | |
|--------------|---------------|
| Packing unit | 10 STK |
| GTIN | |
| GTIN | 4046356696593 |

Technical data

Dimensions

| | |
|--------|-------|
| Height | 52 mm |
| Width | 57 mm |
| Length | 84 mm |

Ambient conditions

| | |
|--------------------------------------|-------------------------------------|
| Degree of protection of housing (IP) | IP65 (When plugged in) |
| | IP54 (with closed protective cover) |
| Ambient temperature (operation) | -40 °C ... 125 °C |

General

| | |
|------------------------------|---|
| Note | For contact inserts HC-B6, BB10, DD24, M Tall housings for extra large wiring space |
| Size | B6 |
| Housing type | Box mounting bases |
| Locking type | with single locking latch |
| No. of cable outlets | 2 |
| Cable outlet | left (view of the opened single locking latch) |
| Screw connection | none |
| Type of the screw connection | 1x M20 |

Housing - HC-B 06-SMLD-52/O1M20 - 1460275

Technical data

General

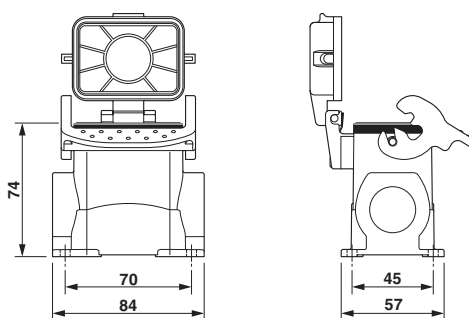
| | |
|------------------------------|-------------------------------------|
| Protective cover | yes |
| Housing material | Aluminum die-cast |
| Housing surface material | Powder-coated, gray |
| Seal material | NBR |
| Material lock | Stainless steel, handle: PA |
| Material grip body interlock | PA |
| Material, protective cover | PA |
| Assembly instructions | For half and full screw connections |

Environmental Product Compliance

| | |
|------------|---|
| China RoHS | Environmentally friendly use period: unlimited = EFUP-e |
| | No hazardous substances above threshold values |

Drawings

Dimensional drawing



Dimensional drawing; h = 52 mm

Approvals

Approvals

Approvals

EAC

Ex Approvals

Approval details

Housing - HC-B 06-SMLD-52/O1M20 - 1460275

Approvals

EAC



RU C-
DE.AI30.B.01102

Phoenix Contact 2018 © - all rights reserved
<http://www.phoenixcontact.com>

PHOENIX CONTACT GmbH & Co. KG
Flachsmarktstr. 8
32825 Blomberg
Germany
Tel. +49 5235 300
Fax +49 5235 3 41200
<http://www.phoenixcontact.com>