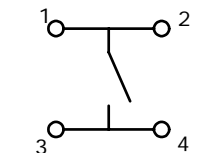


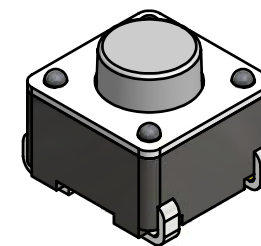
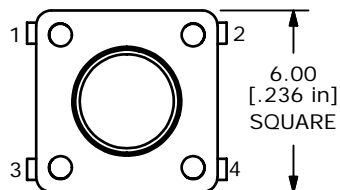
P.C.B. LAYOUT



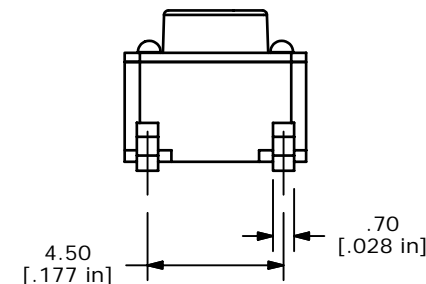
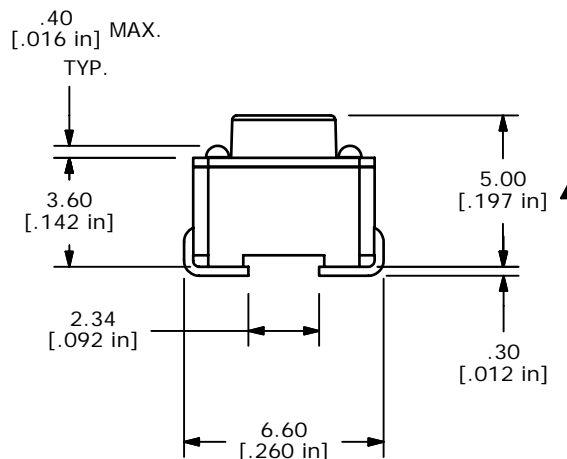
CIRCUIT DIAGRAM

NOTES:

1. ALL DIMENSIONS IN MM
2. GENERAL TOLERANCE: X.X=±0.4
X.XX=±0.25
3. TERM. NOS. FOR REFERENCE ONLY.
4. RATING: 12VDC, 50mA
- ▲ 5. OPERATING FORCE: 260 ± 50 gms
6. TRAVEL: 0.25mm ± 0.10
7. CONTACT RESISTANCE: 100 MILLI OHMS MAX. (INITIAL)
8. LIFE: 80,000 CYCLES
- ▲ 9. SILVER CONTACTS
- ▲ 10. PACKAGE: TAPE AND REEL, 1,100 PCS PER REEL
11. ▲ DENOTES CRITICAL PARAMETER
12. 2002/95/EC (ROHS) COMPLIANT



ISOMETRIC



E-SWITCH®

C	15965	UPDATE NOTES AND TITLE	4/17/06	CT
B	15949	REVISED REDRAWN	4/5/06	PH
REV	PCR NO	DESCRIPTION	DATE	BY

TITLE TL3301AF260QJ				
SCALE	DATE	DR	DWG	REV
4:1	4/5/2006	JB	P010504	C

THE INFORMATION CONTAINED IN THIS DOCUMENT IS PROPRIETARY TO E-SWITCH AND IS NOT TO BE COPIED OR TRANSFERRED