

5

4

3

2

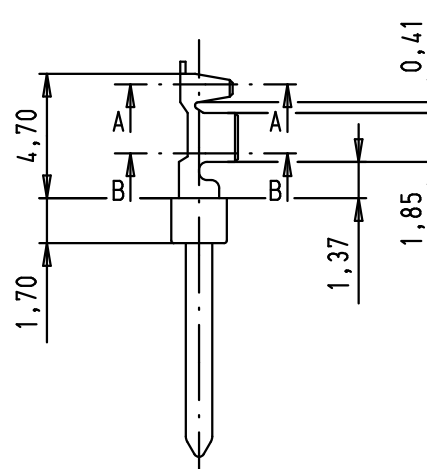
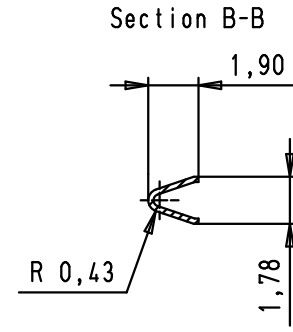
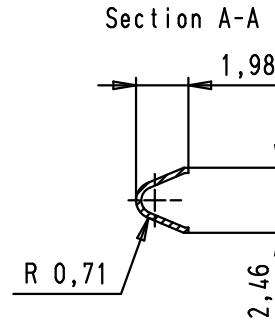
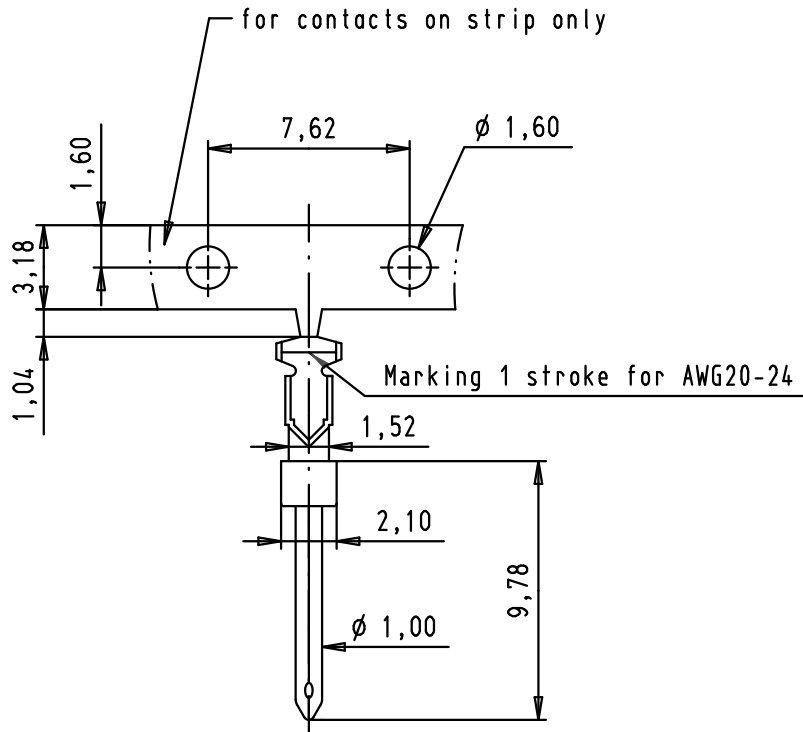
1

D

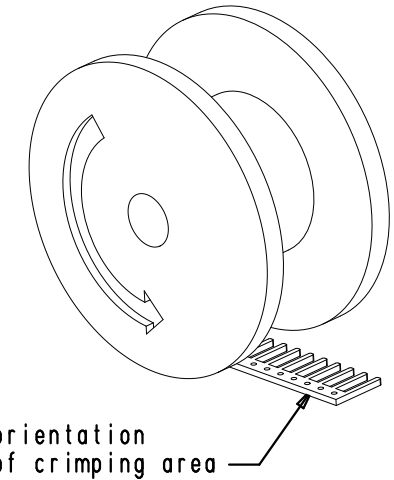
C

B

A





Reel unrolling left



Base material: brass
 Plating: sliding contact selective gold plated over nickel
 nickel plated crimp area
 Number of contacts per reel: 500

09 67 000 8168	PL2
09 67 000 8167	PL3
09 67 000 8166	PL1
Part number	Performance level

				Dat.	Name	 All Dim. in mm Orig. Size DIN A 4
			Detail.	24/03/03	PP	
			Insp.	13/01/12	JB	
			Stand.			
36288	13/01/12	SD	HARTING EURL F-95972 Paris			
33937	01/03/07	PK	Mod.	Dat.	Name	
31475	24/03/03	PP				

D-Sub, stamped male AWG 20-24 crimp contact, reel unrolling left	Maßstab/ Scale 3,5:1
TB 09 67 000 816X	Blatt/ Page 1 / 1
Sub.	